



Office of the City Clerk



O2013-233

Office of the City Clerk

City Council Document Tracking Sheet

Meeting Date:	1/17/2013
Sponsor(s):	Sawyer, Roderick T. (6)
Type:	Ordinance
Title:	Awning(s) for Mather's More Than A Cafe
Committee(s) Assignment:	Committee on Transportation and Public Way

ORDINANCE
MATHER'S MORE THAN A CAFE
Acct. No. 312829 - 3
Permit No. 1104095

Be It Ordained by the City Council of the City of Chicago:

SECTION 1. Permission and authority are hereby given and granted to MATHER'S MORE THAN A CAFE, upon the terms and subject to the conditions of this ordinance to maintain and use, as now constructed, one (1) Awning(s) projecting over the public right-of-way adjacent to its premises known as 33 E. 83rd St..

Said Awning(s) at E. 83rd Street measure(s):

One (1) at seven point five (7.5) feet in length, and two (2) feet in width for a total of fifteen (15) square feet.

The location of said privilege shall be as shown on prints kept on file with the Department of Business Affairs and Consumer Protection and the Office of the City Clerk.

Said privilege shall be constructed in accordance with plans and specifications approved by the Zoning Department - Signs.

This grant of privilege in the public way shall be subject to the provisions of Section 10-28-015 and all other required provisions of the Municipal Code of Chicago.

The grantee shall pay to the City of Chicago as compensation for the privilege #1104095 herein granted the sum of fifty (\$50.00) per annum in advance.

A 25% penalty will be added for payments received after due date.

The permit holder agrees to hold the City of Chicago harmless for any damage, relocation or replacement costs associated with damage, relocation or removal of private property caused by the City performing work in the public way.

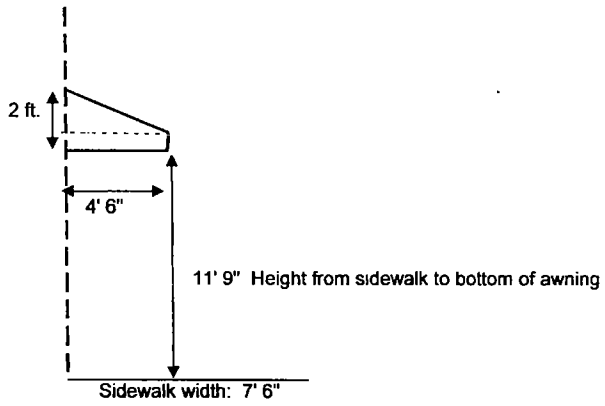
Authority herein given and granted for a period of five (5) years from and after 01/09/2013.

Alderman



Roderick T. Sawyer 6th Ward

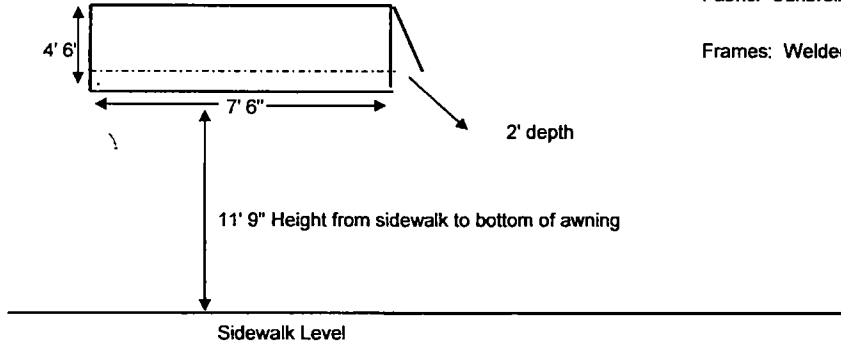
Front awning (facing 83rd) for 33 E. 83rd Street



Materials used:

Fabric: Sunbrella (black)

Frames: Welded aluminum tubing





01/17/2013

Alderman **Roderick T. Sawyer**
Ward # **06**
City of Chicago
City Hall, Room **300**
121 North LaSalle Street
Chicago, Illinois 60602

Re: An ordinance to use and maintain a portion of the public right-of-way for **one (1) awning(s)** for **MATHER'S MORE THAN A CAFE**, adjacent to the premises known as **33 E. 83rd St.**.

Dear Alderman **Roderick T. Sawyer**:

The applicant referenced above has requested the use of the public right-of-way for a **awning(s)**. An ordinance has been prepared by the Department of Business Affairs and Consumer Protection – Business Assistance Center - Public Way Use Unit for presentation to the City Council. Because this request was made for properties located in your ward, as approved by you as per the attached, I respectfully request that you introduce the attached ordinance at the next City Council meeting.

If you have any questions regarding this ordinance, please contact Anthony Bertuca at (312) 744-5506.

Department of Business Affairs and Consumer Protection