



City of Chicago



O2018-1638

Office of the City Clerk

Document Tracking Sheet

Meeting Date:	2/28/2018
Sponsor(s):	Arena (45)
Type:	Ordinance
Title:	Grant(s) of privilege in public way for Starbucks Coffee No. 2568
Committee(s) Assignment:	Committee on Transportation and Public Way

ORDINANCE

Starbuck's Coffee #2568

Acct. No 63414 - 90

Permit No. 1131051

Be It Ordained by the City Council of the City of Chicago

SECTION 1 Permission and authority are hereby given and granted to Starbuck's Coffee #2568, upon the terms and subject to the conditions of this ordinance to maintain and use, as now constructed, one (1) Door Swing(s) on the public right-of-way adjacent to its premises known as 4365 W. Irving Park Rd..

Said Door Swing(s) at N Kostner Ave measure(s):

One (1) at three (3) feet in length, and three (3) feet in width for a total of nine (9) square feet

The location of said privilege shall be as shown on prints kept on file with the Department of Business Affairs and Consumer Protection and the Office of the City Clerk.

Said privilege shall be constructed in accordance with plans and specifications approved by the Department of Transportation (Division of Project Development).

This grant of privilege in the public way shall be subject to the provisions of Section 10-28-015 and all other required provisions of the Municipal Code of Chicago.

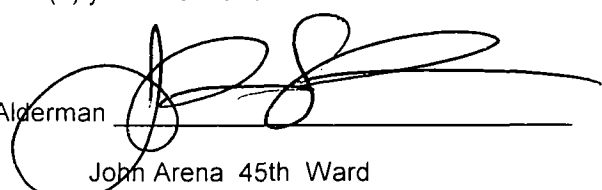
The grantee shall pay to the City of Chicago as compensation for the privilege #1131051 herein granted the sum of seventy-five (\$75 00) per annum in advance

A 25% penalty will be added for payments received after due date

The permit holder agrees to hold the City of Chicago harmless for any damage, relocation or replacement costs associated with damage, relocation or removal of private property caused by the City performing work in the public way.

Authority herein given and granted for a period of five (5) years from and after 12/12/2017

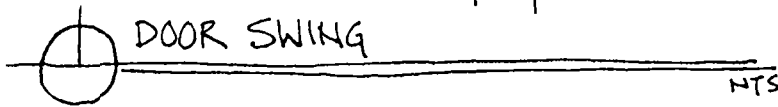
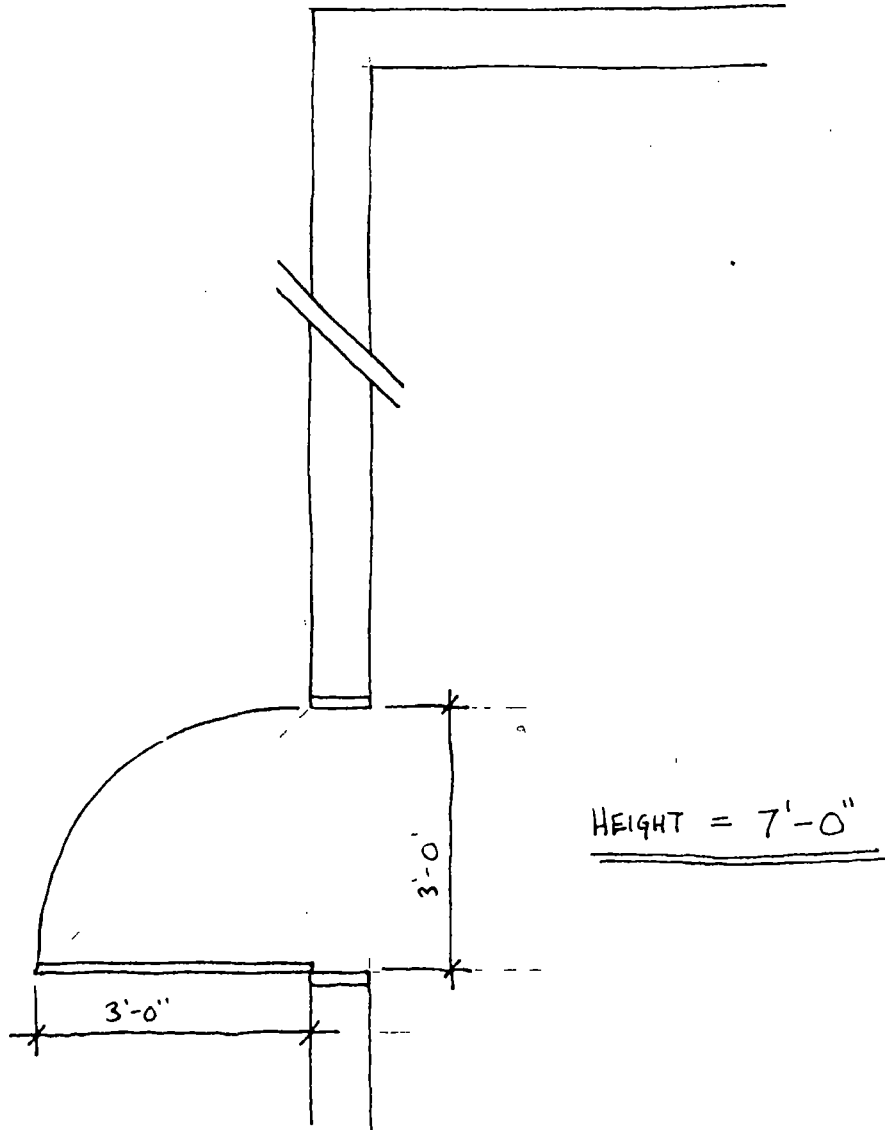
Alderman



John Arena 45th Ward

W IRVING PARK RD

N KOSTNER AVE



<p>Starbucks Coffee Co Outdoor Sidewalk Cafe 4365 W IRVING PK RD Starbucks Store # 2568 Chicago Site # 90</p>	<p> CONSTRUCTION SERVICE ASSOCIATES 166 W Washington St Chicago IL 60602 312-364-9098</p>	<p>Notes</p>	<p>Date 1/11/18</p>
---	--	--------------	----------------------------------



02/28/2018

Alderman **John Arena**
Ward # **45**
City of Chicago
City Hall, Room **300**
121 North LaSalle Street
Chicago, Illinois 60602

Re: An ordinance to use and maintain a portion of the public right-of-way for **one (1) door swing(s)** for **Starbuck's Coffee #2568**, adjacent to the premises known as **4365 W. Irving Park Rd.**.

Dear Alderman **John Arena**:

The applicant referenced above has requested the use of the public right-of-way for a **door swing(s)**. An ordinance has been prepared by the Department of Business Affairs and Consumer Protection – Small Business Center - Public Way Use Unit for presentation to the City Council. Because this request was made for properties located in your ward, as approved by you as per the attached, I respectfully request that you introduce the attached ordinance at the next City Council meeting.

If you have any questions regarding this ordinance, please contact Anthony Bertuca at (312) 744-5506.

Department of Business Affairs and Consumer Protection