



# Office of the City Clerk



**O2012-6308**

Office of the City Clerk

## City Council Document Tracking Sheet

<b>Meeting Date:</b>	9/12/2012
<b>Sponsor(s):</b>	Burnett, Walter (27)
<b>Type:</b>	Ordinance
<b>Title:</b>	Grant(s) of privilege in public way for Music Box Films
<b>Committee(s) Assignment:</b>	Committee on Transportation and Public Way

ORDINANCE  
MUSIC BOX FILMS  
Acct. No. 271463 - 2  
Permit No. 1101624

*Be It Ordained by the City Council of the City of Chicago:*

SECTION 1. Permission and authority are hereby given and granted to MUSIC BOX FILMS, upon the terms and subject to the conditions of this ordinance to construct, install, maintain and use one (1) Kiosk(s) on the public right-of-way adjacent to its premises known as 173 N. Morgan St..

Said Kiosk(s) at N. Morgan measure(s):

One (1) at three point one six (3.16) feet in length, and four (4) feet in width for a total of twelve point six four (12.64) square feet.

The location of said privilege shall be as shown on prints kept on file with the Department of Business Affairs and Consumer Protection and the Office of the City Clerk.

Said privilege shall be constructed in accordance with plans and specifications approved by the Department of Transportation (Division of Project Development) and Zoning Department - Signs.

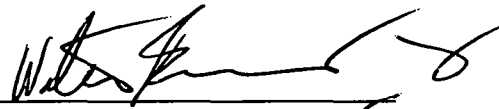
This grant of privilege in the public way shall be subject to the provisions of Section 10-28-015 and all other required provisions of the Municipal Code of Chicago.

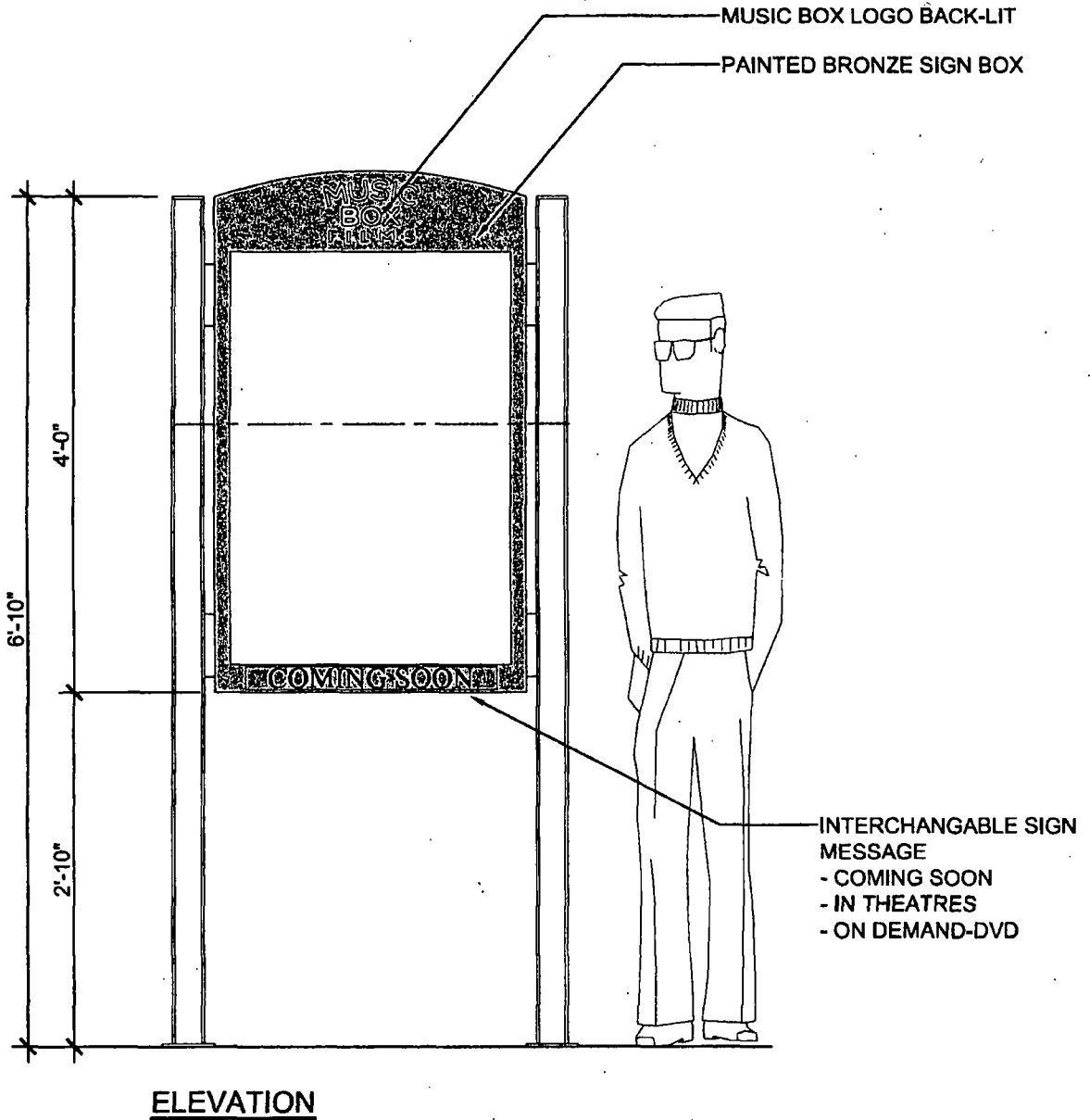
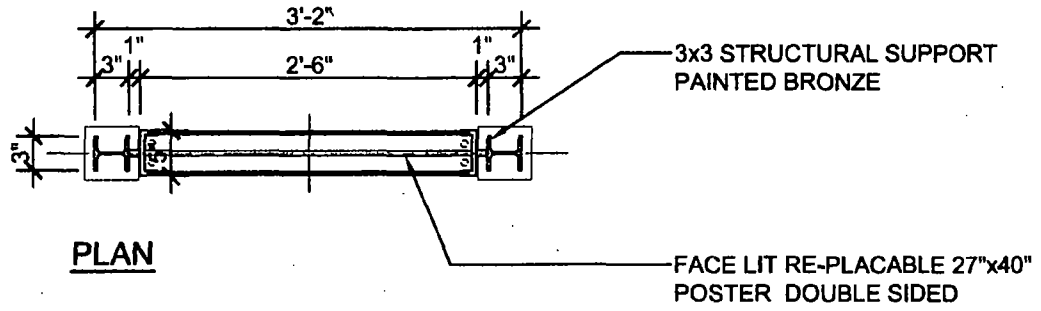
The grantee shall pay to the City of Chicago as compensation for the privilege #1101624 herein granted the sum of four hundred (\$400.00) per annum in advance.

A 25% penalty will be added for payments received after due date.

The permit holder agrees to hold the City of Chicago harmless for any damage, relocation or replacement costs associated with damage, relocation or removal of private property caused by the City performing work in the public way.

Authority herein given and granted for a period of five (5) years from and after Date of Passage.

Alderman   
Walter Burnett Jr. 27th Ward



**PROPOSED KIOSK**  
SCALE: 3/4"=1'-0"

MUSIC BOX FILMS  
173 N. Morgan St.  
Chicago, IL 60607

Shapiro Associates  
04.19.2012

*planter*