



City of Chicago



O2013-4772

Office of the City Clerk Document Tracking Sheet

Meeting Date:	6/5/2013
Sponsor(s):	Reilly, Brendan (42)
Type:	Ordinance
Title:	Grant(s) of privilege in public way for Tavern On Rush
Committee(s) Assignment:	Committee on Transportation and Public Way

ORDINANCE
TAVERN ON RUSH
Acct. No. 64797 - 2
Permit No. 1105389

Be It Ordained by the City Council of the City of Chicago:

SECTION 1. Permission and authority are hereby given and granted to TAVERN ON RUSH, upon the terms and subject to the conditions of this ordinance to maintain and use, as now constructed, two (2) roof Cornice(s) projecting over the public right-of-way adjacent to its premises known as 1031 N. Rush St..

Roof Cornice at N. Rush Street measure(s):

One (1) at two hundred eight (208) feet in length, and one (1) foot in width for a total of two hundred eight (208) square feet. Existing roof cornice is approximately thirty-four (34) feet above grade level.

Roof Cornice(s) at E. Bellevue Place measure(s):

One (1) at five hundred twenty (52) feet in length, and one (1) foot in width for a total of five hundred twenty (52) square feet. Existing roof cornice is approximately twenty-six (26) feet above grade level.

The location of said privilege shall be as shown on prints kept on file with the Department of Business Affairs and Consumer Protection and the Office of the City Clerk.

Said privilege shall be constructed in accordance with plans and specifications approved by the Department of Transportation (Division of Project Development).

This grant of privilege in the public way shall be subject to the provisions of Section 10-28-015 and all other required provisions of the Municipal Code of Chicago.

The grantee shall pay to the City of Chicago as compensation for the privilege #1105389 herein granted the sum of eight hundred (\$800.00) per annum in advance.

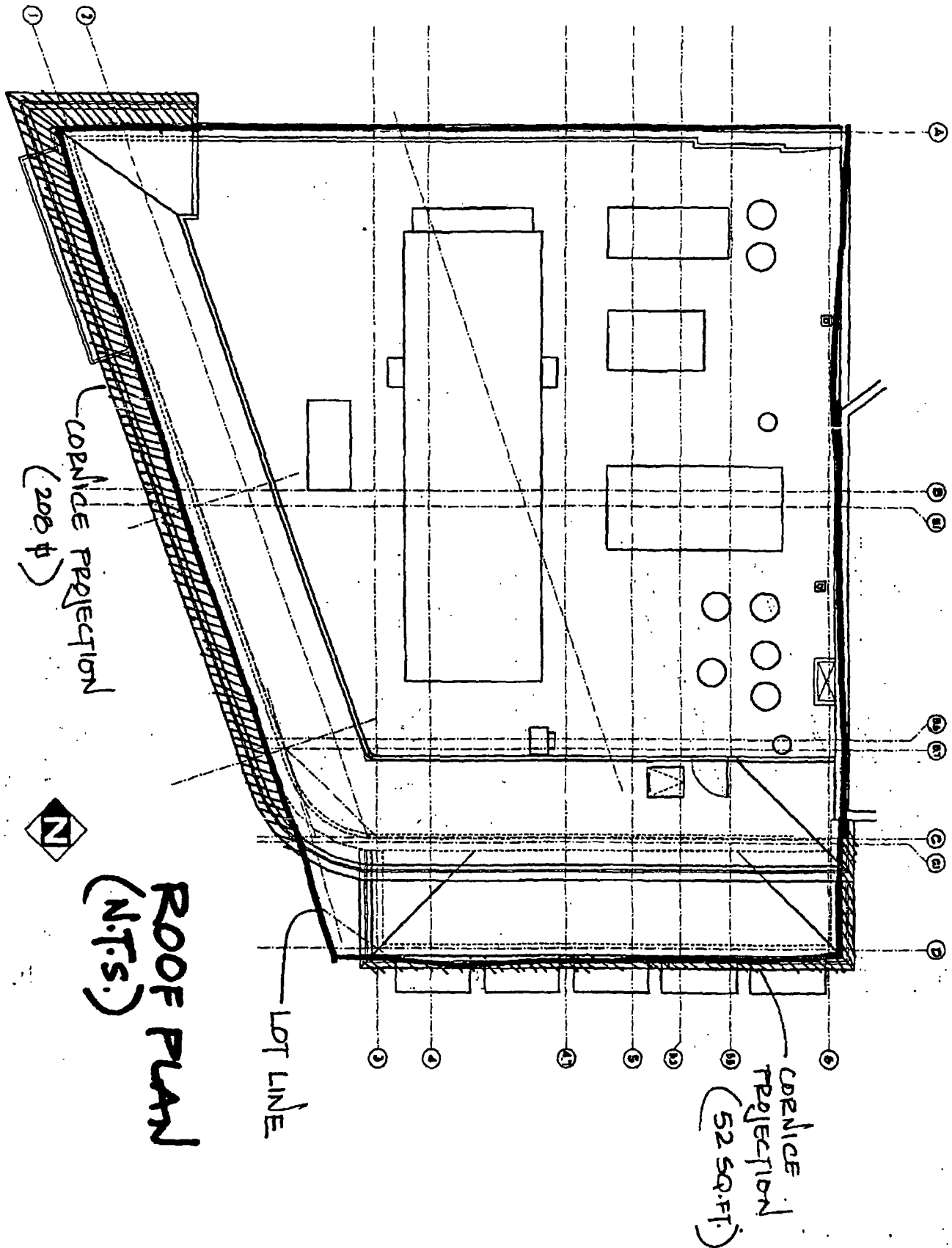
A 25% penalty will be added for payments received after due date.

The permit holder agrees to hold the City of Chicago harmless for any damage, relocation or replacement costs associated with damage, relocation or removal of private property caused by the City performing work in the public way.

Authority herein given and granted for a period of five (5) years from and after 02/05/2013.

Alderman


Brendan Reilly 42nd Ward



ROOF PLAN
(N.T.S.)