



# City of Chicago



O2017-3698

## Office of the City Clerk Document Tracking Sheet

<b>Meeting Date:</b>	5/18/2017
<b>Sponsor(s):</b>	Cardenas (12)
<b>Type:</b>	Ordinance
<b>Title:</b>	Grant(s) of privilege in public way for Metro PCS - sign
<b>Committee(s) Assignment:</b>	Committee on Transportation and Public Way

ORDINANCE  
Metro PCS  
Acct. No. 395696 - 2  
Permit No. 1125640

*Be It Ordained by the City Council of the City of Chicago:*

SECTION 1. Permission and authority are hereby given and granted to Metro PCS, upon the terms and subject to the conditions of this ordinance to maintain and use one (1) sign(s) projecting over the public right-of-way attached to its premises known as 2601 S. Kedzie Ave..

Said sign structure(s) measures as follows; along S KEDZIE AVE:

One (1) at twelve (12) feet in length, three (3) feet in height and twelve (12) feet above grade level.

The location of said privilege shall be as shown on prints kept on file with the Department of Business Affairs and Consumer Protection and the Office of the City Clerk.

Said privilege shall be constructed in accordance with plans and specifications approved by the Department of Transportation (Division of Project Development) and Zoning Department - Signs.

This grant of privilege in the public way shall be subject to the provisions of Section 10-28-015 and all other required provisions of the Municipal Code of Chicago.

The grantee shall pay to the City of Chicago as compensation for the privilege #1125640 herein granted the sum of three hundred (\$300.00) per annum in advance.

A 25% penalty will be added for payments received after due date.

The permit holder agrees to hold the City of Chicago harmless for any damage, relocation or replacement costs associated with damage, relocation or removal of private property caused by the City performing work in the public way.

Authority herein given and granted for a period of five (5) years from and after Date of Passage.

Alderman \_\_\_\_\_

George Cardenas 12<sup>th</sup> Ward

**Kedzie Ave Sign**

Prepared Square Footage of this sign:	36.75 sq ft
Lineal feet of store front	220 store footage
Actual Square Footage Allowed by village:	40 sq ft



White Trimcap/ White Return

Approved Arlon Vinyl

**Specifications: LED Channel Letters**

- 1 Existing Facade Concrete Block/ Brick
- 2 0 040 Aluminum letter returns painted to match Black
- 3 0 125 x 1 Black Jewelite trimcap
- 4 040 White Aluminum backing  
*(interior of sign can will be white for maximum illumination)*
- 5 Interone UL approved red LED s
- 6 UL approved flexible conduit connectors
- 7 1/8 Red Acrylite #2283
- 8 UL approved LED transformer (Mean well)
- 9 UL approved waterproof disconnect switch per NEC 600 6
- 10 Aluminum Raceway to match fascia color
- 11 1/4 x 2 x 11 Aluminum Bracket
- 12 UL approved Liquid tight metallic conduit  
*(All penetration will be caulked w/ high grade silicone)*
- 13 Mounting hardware to suit (Non Corrosive)

**Electrical Detail: Channel Letters**

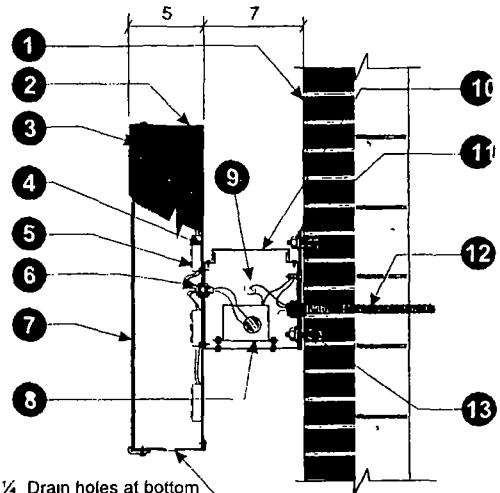
Mean well CLG 60 12  
 (1) 60w Transformers @ 0 80  
 Total Amps 0 80  
 (1) Minimum of 20 amp 120V Circuit Req

**General Notes:**

This sign is to be installed in accordance with the requirements of Article 600 of the National Electrical Code

- 1) Grounded and bonded per NEC 600 7/NEC 250
- 2) Existing branch circuit in compliance with NEC 600 5 not to exceed 20 amps
- 3) Sign is to be UL listed per NEC 600 3
- 4) UL disconnect switch per NEC 600 6 required per sign component before leaving manufacturer  
 For multiple signs a disconnect is permitted but not required for each section

**CHANNEL LETTER - TYPICAL SECTION - FRONT-LIT PLASTIC FACE**



1/4 Drain holes at bottom of letter cans (2) per letter

**Section @ LED Channel Letter Raceway mount installation** Scale N T S

**ELECTRICAL NOTES**

Sign Company DOES NOT provide primary electrical to sign.  
 Power to the sign must be done by a licensed electrical contractor or licensed electrician.  
 Each sign must have: 1. A minimum of one dedicated 120V 20A circuit  
 2. Junction box installed within 6 feet of sign  
 3. Three wires: Line, Ground, Neutral



1 Kedzie Ave Chicago, IL 60625  
 6007 | sales@tfasigns.com

Client Metro PCS  
 Address 3151 W 26th St  
 Tel \_\_\_\_\_  
 Email \_\_\_\_\_

Landlord \_\_\_\_\_  
 Address \_\_\_\_\_  
 Tel \_\_\_\_\_  
 Email \_\_\_\_\_

Start Date 00/00/0000  
 Last Revision 00/00/0000  
 Job# 00000  
 Drawing# 00000a v1 s1 / e1  
 Page 1 of 2

Client Approval \_\_\_\_\_  
 Landlord Approval \_\_\_\_\_

Sales Rep Seung Park  
 Designer Vernon James  
**E322358**



Department of Business Affairs and Consumer Protection  
Small Business Center - Public Way Use Unit  
City Hall - 121 N. LaSalle Street, Room 800 • Chicago, IL 60602  
312-74-GOBIZ / 312-744-6249 • (312) 744-1944 (TTY)  
<http://www.cityofchicago.org/bacp>

04/19/2017

Alderman **George Cardenas**  
Ward # **12**  
City of Chicago  
City Hall, Room **300**  
121 North LaSalle Street  
Chicago, Illinois 60602

Re: An ordinance to use and maintain a portion of the public right-of-way for **one (1) sign(s)** for **Metro PCS**, adjacent to the premises known as **2601 S. Kedzie Ave.**.

Dear Alderman **George Cardenas**:

The applicant referenced above has requested the use of the public right-of-way for a **sign(s)**. An ordinance has been prepared by the Department of Business Affairs and Consumer Protection – Small Business Center - Public Way Use Unit for presentation to the City Council. Because this request was made for properties located in your ward, as approved by you as per the attached, I respectfully request that you introduce the attached ordinance at the next City Council meeting.

If you have any questions regarding this ordinance, please contact Anthony Bertuca at (312) 744-5506.

**Department of Business Affairs and Consumer Protection**