



City of Chicago



Or2015-186

Office of the City Clerk

Document Tracking Sheet

Meeting Date:	3/18/2015
Sponsor(s):	Fioretti (2)
Type:	Order
Title:	Issuance of permits for sign(s)/signboard(s) at 1212 S Michigan Ave
Committee(s) Assignment:	Committee on Zoning, Landmarks and Building Standards

ORDERED. That the Commissioner of the Building Department is hereby directed to issue a sign permit to: (Contractor's name and address)

All-Right Sign, Inc. (708) 754-0300
3008 Union Avenue
Steger IL. 60475

For the erection of a sign / signboard over twenty-four (24) feet in height and / or over one hundred (100) square feet (in area of one face) at:

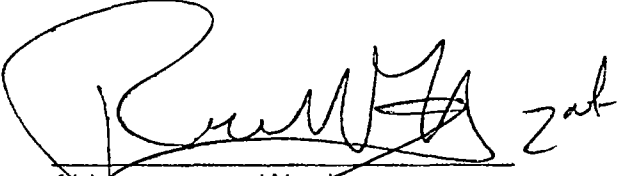
On-Premise / Business ID signs indicate Business Name and Address
Off-Premise / Advertising signs: must indicate that it is for Advertising

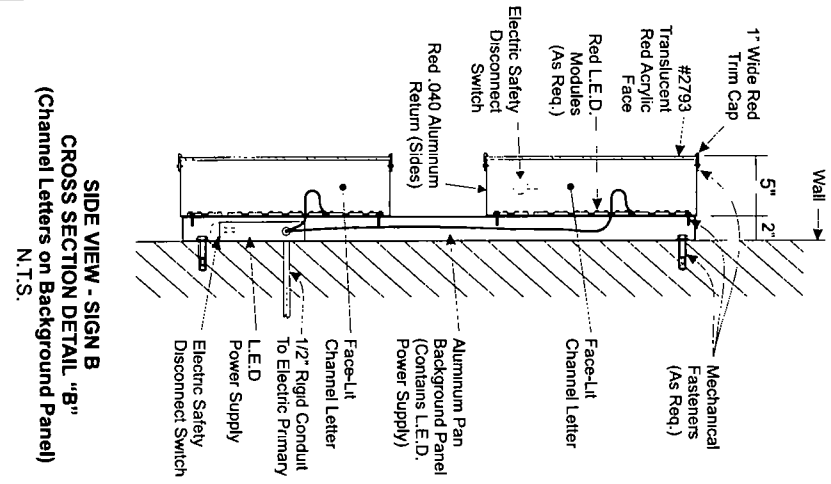
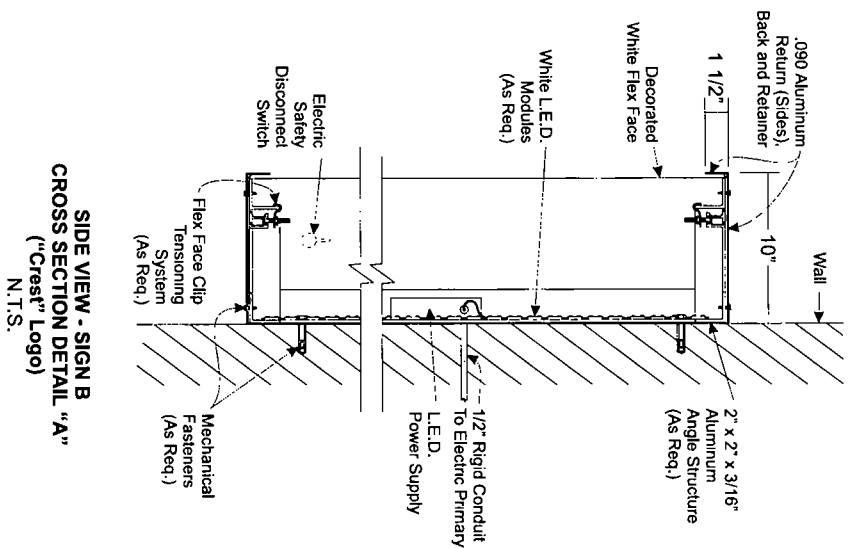
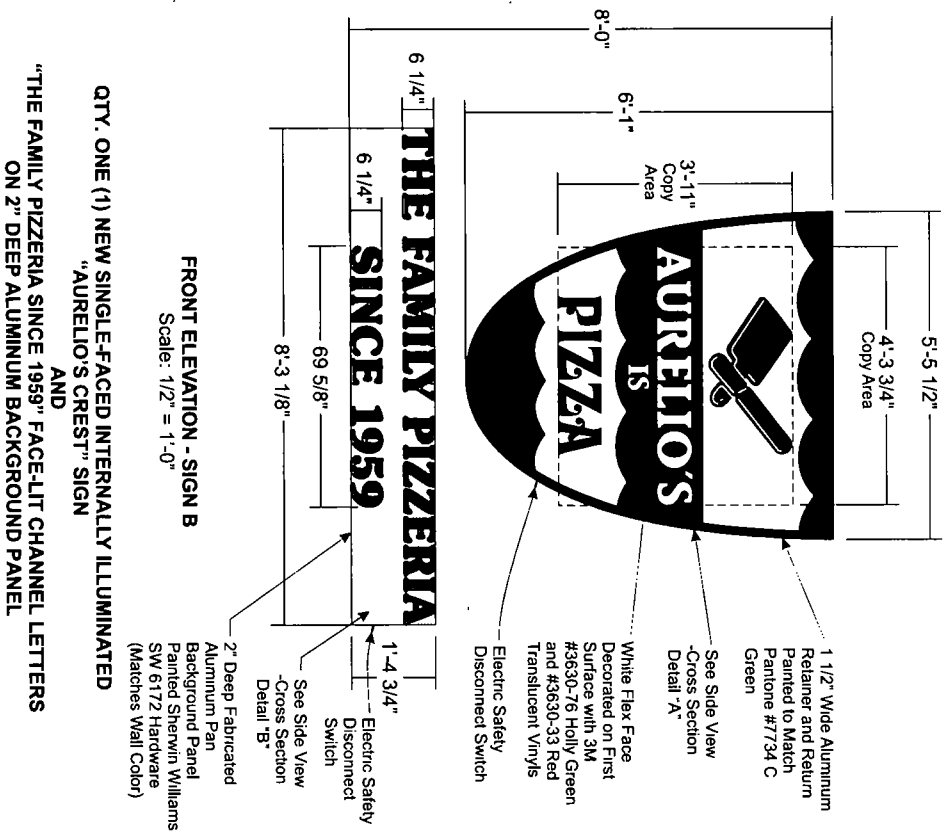
Aurelio's Pizza
1212 S. Michigan Avenue
Chicago IL. 60605

Dimensions: 8'0" x 8'3 1/8"

Height above grade: 24' to bottom of sign
34' to top of sign

Such signs shall comply with all provisions of Title 17 of the Chicago Zoning Ordinance and all other applicable provisions of the Municipal Code of the City of Chicago governing the construction and maintenance of outdoor signs, sign boards and structures


Alderman, Ward



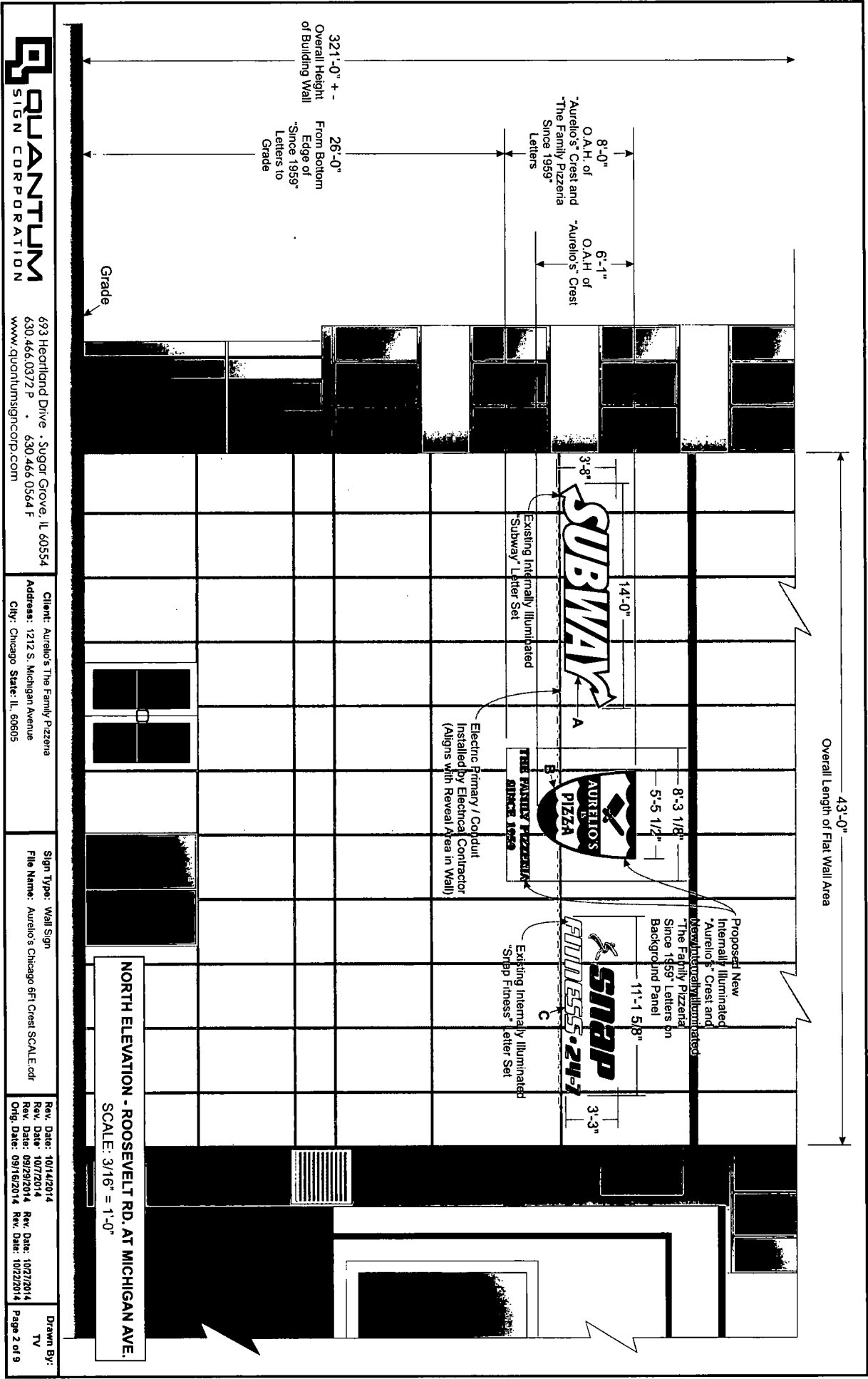
QUANTUM SIGN CORPORATION
693 Highland Drive - Sugar Grove, IL 60554
630.466.0372 P • 630.466.0564 F
www.quantumsigncorp.com

Client: Aurelio's The Family Pizzeria
Address: 1212 S. Michigan Avenue
City: Chicago State: IL 60605

Sign Type: Wall Sign
File Name: Aurelio's Chicago 8ft Crest SCALE.cdr

Rev. Date: 10/27/2014
Rev. Date: 10/22/2014
Rev. Date: 10/14/2014
Orig. Date: 09/29/2014

Drawn By: TV
Page 3 of 9



NORTH ELEVATION - ROOSEVELT RD. AT MICHIGAN AVE.
SCALE: 3/16" = 1'-0"



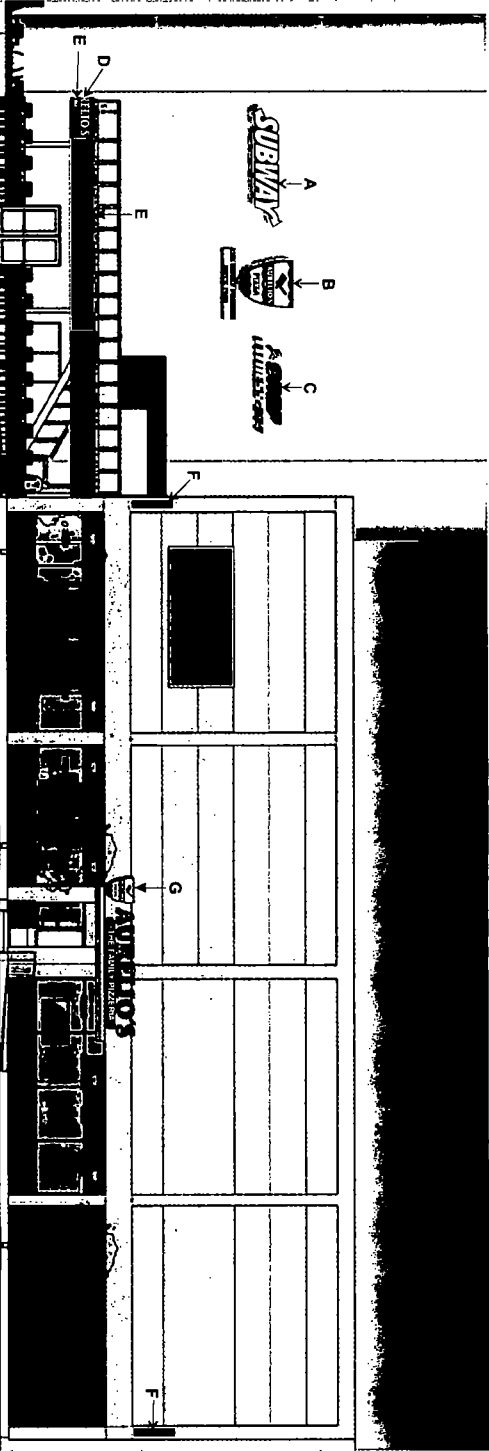
693 Heartland Drive • Sugar Grove, IL 60554
630 466 0372 P • 630 466 0564 F
www.quantumsigncorp.com

Client: Aurelio's The Family Pizzeria
Address: 1212 S. Michigan Avenue
City: Chicago State: IL 60605

Sign Type: Wall Sign
File Name: Aurelio's Chicago 6Fl Crest SCALE.cdr

Rev. Date: 10/14/2014
Rev. Date: 10/27/2014
Rev. Date: 08/29/2014
Orig. Date: 09/16/2014

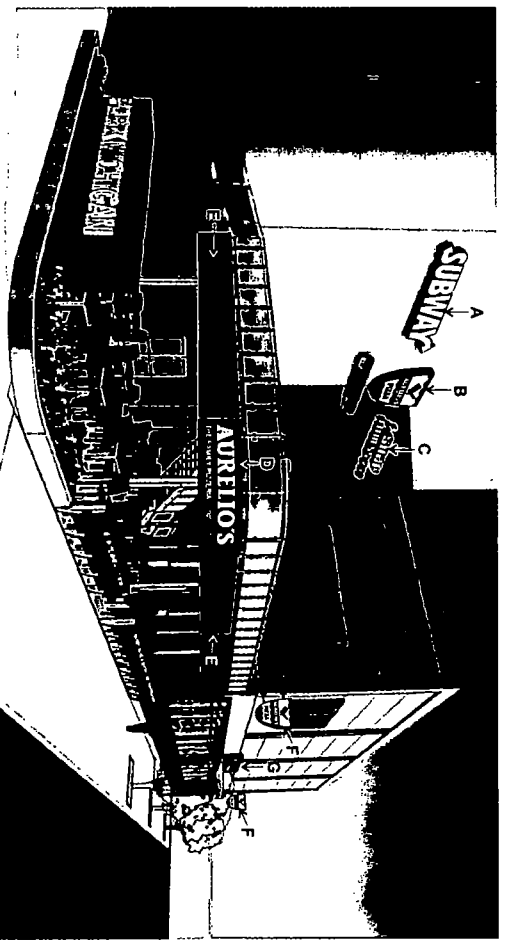
Rev. Date: 10/27/2014
Rev. Date: 10/22/2014
Page 2 of 9



NORTH ELEVATION - ROOSEVELT RD.
N.T.S.

SIGN KEY

- A - Qty: 1 Existing Internally Illuminated "Subway" Sign
- B - Qty: 1 New Single-Faced Internally Illuminated "Aurelio's Crest" Sign and "The Family Pizzeria Since 1959" Face-Lit Channel Letters on Background Panel
- C - Qty: 1 Existing Internally Illuminated "Snap" Sign
- D - Qty: 1 New Internally Illuminated Curved "Aurelio's" Facsia Sign with Channel Letters
- E - Qty: 2 New Electronic Message Centers
- F - Qty: 2 New Double-Faced Internally Illuminated Projecting "Aurelio's Crest" Signs
- G - Qty: 1 New Internally Illuminated Face-Lit "Aurelio's" Channel Letters, Qty: 1 Single-Faced Internally Illuminated Aurelio's Crest Sign and Qty: 1 Single-Faced Internally Illuminated "The Family Pizzeria" Capsule Sign



NORTHEAST ELEVATION (PERSPECTIVE VIEW) - ROOSEVELT RD. & MICHIGAN AVE.
N.T.S.



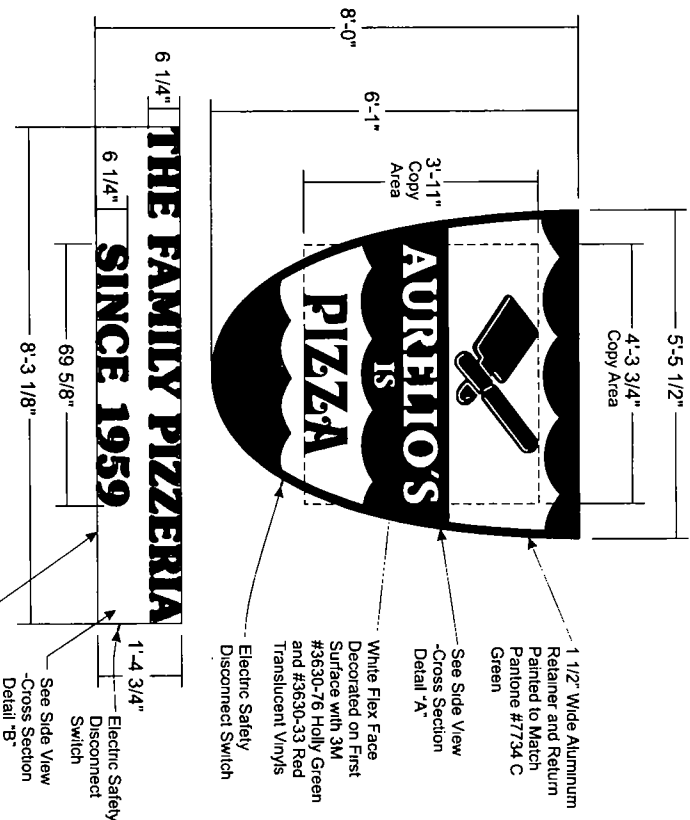
693 Heartland Drive . Sugar Grove, IL 60554
630 466 0372 P . 630 466 0564 F
www.quantumsigncorp.com

Client: Aurelio's The Family Pizzeria
Address: 1212 S Michigan Avenue
City: Chicago State: IL, 60605

Signs Type: Wall Signs, Projecting Signs, EMC's
File Name: Aurelio's Chicago All Signs ELEV.cdr

Rev. Date: 12/22/2014
Rev. Date: 10/14/2014
Rev. Date: 10/8/2014
Orig. Date: 10/12/2014

Drawn By:
TV
Page 1 of 9



FRONT ELEVATION - SIGN B
 Scale: 1/2" = 1'-0"

**QTY. ONE (1) NEW SINGLE-FACED INTERNALLY ILLUMINATED
 "AURELIO'S CREST" SIGN
 AND
 "THE FAMILY PIZZERIA SINCE 1959" FACE-LIT CHANNEL LETTERS
 ON 2" DEEP ALUMINUM BACKGROUND PANEL**



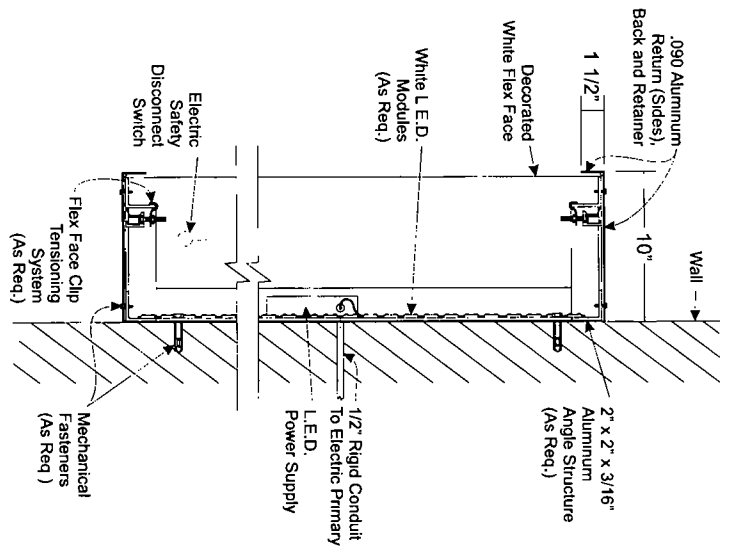
693 Heartland Drive - Sugar Grove, IL 60554
 630.466.0372 P • 630.466.0664 F
 www.quantumsigncorp.com

Client: Aurelio's The Family Pizzeria
 Address: 1212 S Michigan Avenue
 City, Chicago, State: IL 60605

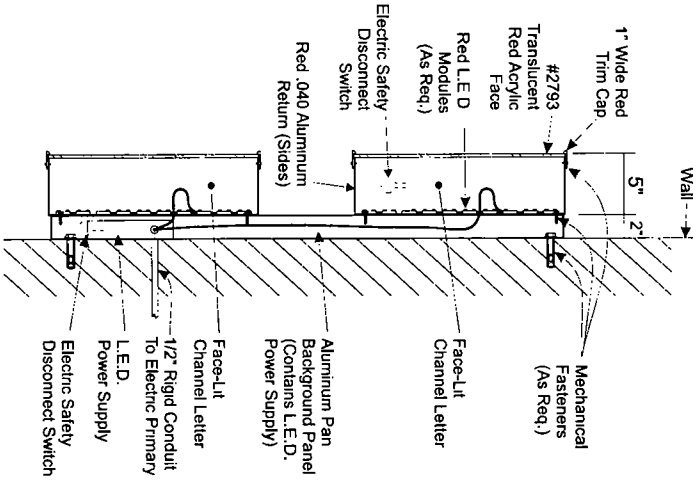
Sign Type: Wall Sign
 File Name: Aurelio's Chicago 6Fl Crest SCALE.cdr

Rev. Date: 10/22/2014
 Rev. Date: 10/14/2014
 Orig. Date: 09/29/2014

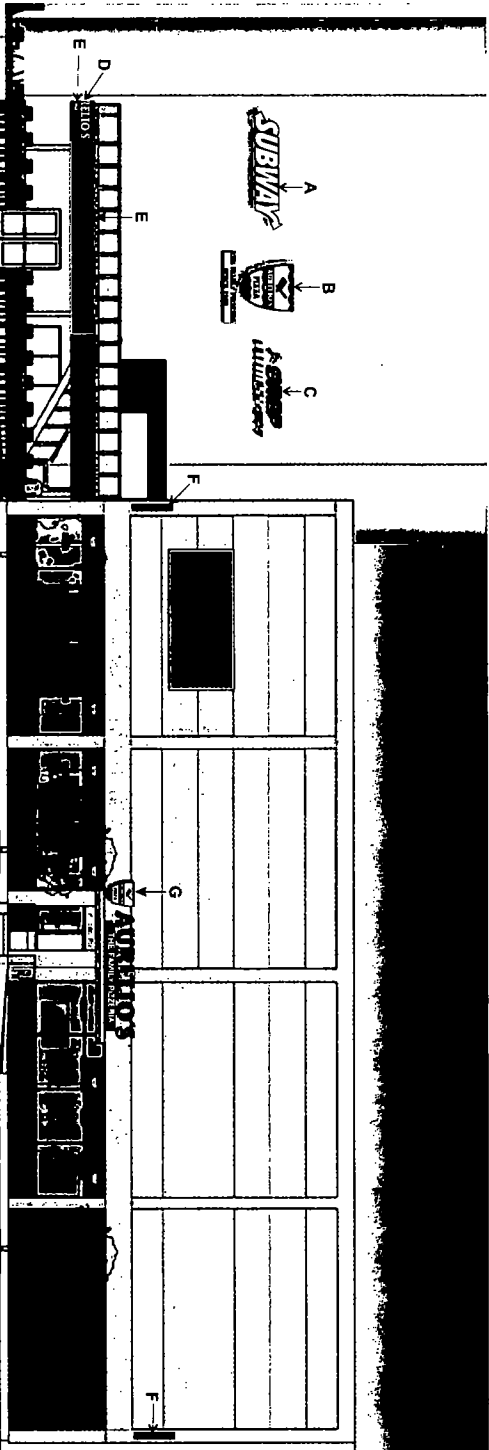
Drawn By: TV
 Page 3 of 9



**SIDE VIEW - SIGN B
 CROSS SECTION DETAIL "A"**
 N.I.T.S.



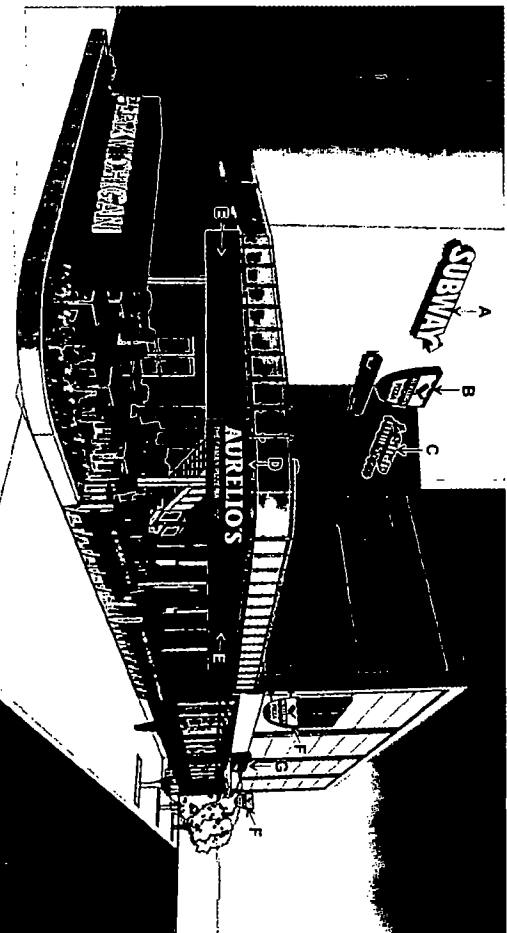
**SIDE VIEW - SIGN B
 CROSS SECTION DETAIL "B"**
 (Channel Letters on Background Panel)
 N.I.T.S.



NORTH ELEVATION - ROOSEVELT RD.
N.T.S.

SIGN KEY

- A - Qty: 1 Existing Internally Illuminated "Subway" Sign
- B - Qty: 1 New Single-Faced Internally Illuminated "Aurelio's Crest" Sign and "The Family Pizzeria Since 1959" Face-Lit Channel Letters on Background Panel
- C - Qty: 1 Existing Internally Illuminated "Snap" Sign
- D - Qty: 1 New Internally Illuminated Curved "Aurelio's" Fascia Sign with Channel Letters
- E - Qty: 2 New Electronic Message Centers
- F - Qty: 2 New Double-Faced Internally Illuminated Projecting "Aurelio's Crest" Signs
- G - Qty: 1 New Internally Illuminated Face-Lit "Aurelio's" Channel Letters, Qty: 1 Single-Faced Internally Illuminated "Aurelio's Crest" Sign and Qty: 1 Single-Faced Internally Illuminated "The Family Pizzeria Capsule Sign



NORTHEAST ELEVATION (PERSPECTIVE VIEW) - ROOSEVELT RD. & MICHIGAN AVE.
N.T.S.



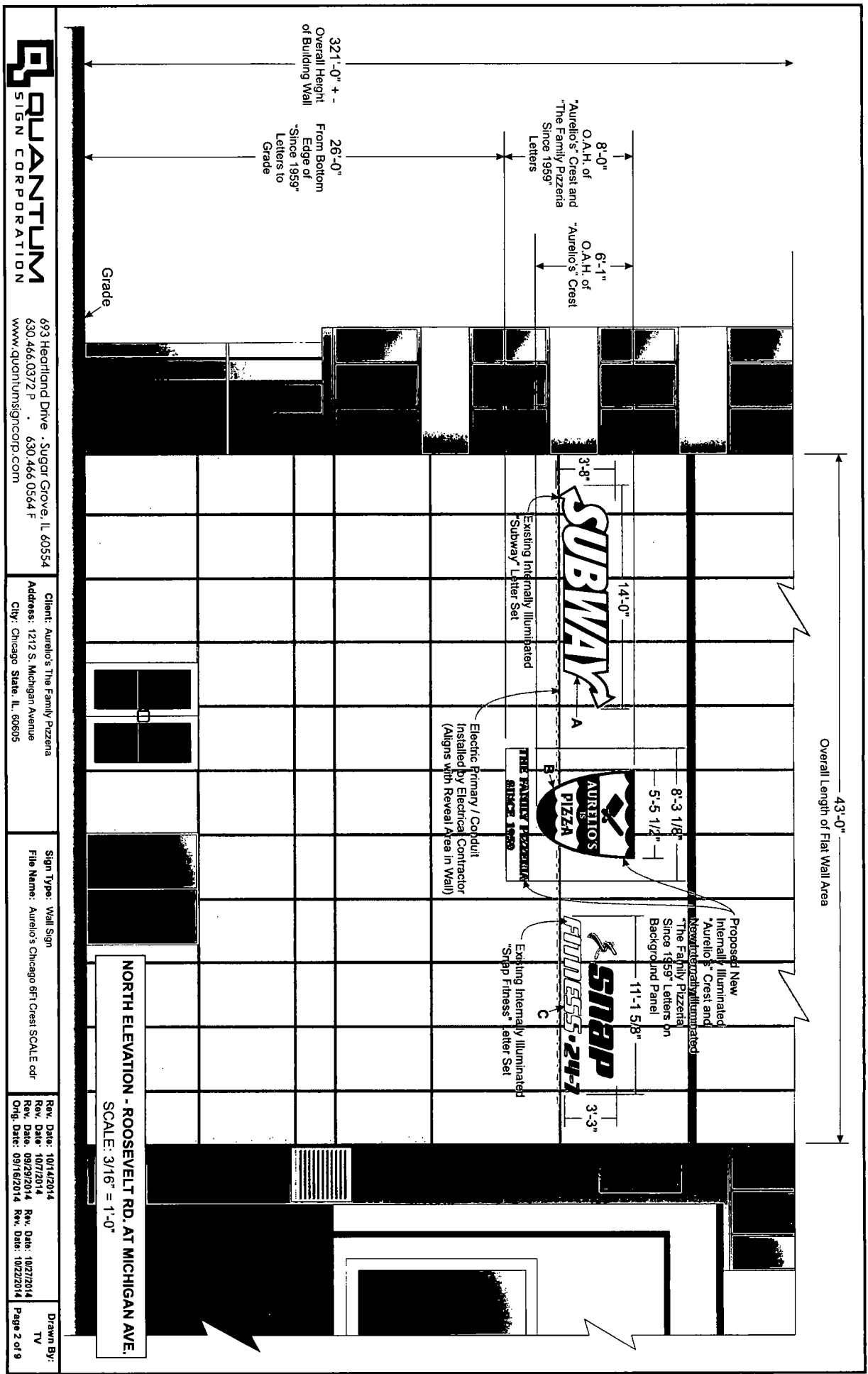
693 Heathland Drive - Sugar Grove, IL 60554
630.466.0372 P . 630.466.0564 F
www.quantulumsigncorp.com

Client: Aurelio's The Family Pizzeria
Address: 1212 S. Michigan Avenue
City: Chicago State: IL, 60605

Signs Type: Wall Signs, Projecting Signs, EMC's
File Name: Aurelio's Chicago All Signs ELEV.cdr

Rev. Date: 12/22/2014
Rev. Date: 10/14/2014
Orig. Date: 10/12/2014

Drawn By:
TV
Page 1 of 9



QUANTUM SIGN CORPORATION

693 Heartland Drive - Sugar Grove, IL 60554
630.466.0372 P • 630.466.0564 F
www.quantumsigncorp.com

Client: Aurelios The Family Pizzeria
Address: 1212 S. Michigan Avenue
City: Chicago State: IL. 60605

Sign Type: Wall Sign
File Name: Aurelios Chicago 8ft Crest SCALE.cdr

Rev. Date: 10/14/2014
Rev. Date: 10/27/2014
Rev. Date: 09/29/2014
Orig. Date: 09/16/2014

Rev. Date: 10/27/2014
Rev. Date: 10/22/2014
Page 2 of 9