



City of Chicago



O2015-8782

Office of the City Clerk

Document Tracking Sheet

Meeting Date: 12/9/2015

Sponsor(s): Cappleman (46)

Type: Ordinance

Title: Grant(s) of privilege in public way for Central Lakeview Merchants

Committee(s) Assignment: Committee on Transportation and Public Way

ORDINANCE
CENTRAL LAKEVIEW MERCHANTS
Acct. No. 314738 - 79
Permit No. 1120622

Be It Ordained by the City Council of the City of Chicago:

SECTION 1. Permission and authority are hereby given and granted to CENTRAL LAKEVIEW MERCHANTS, upon the terms and subject to the conditions of this ordinance to construct, install, maintain and use one (1) Security Phone(s) on the public right-of-way for security purposes adjacent to its premises known as 3933 N. Sheridan Rd..

Said Security Phone(s) at N.Sheridan Road measure(s):

One (1) at point eight three (.83) feet in length, one (1) foot in width and ten point six six (10.66) feet above grade level.

The location of said privilege shall be as shown on prints kept on file with the Department of Business Affairs and Consumer Protection and the Office of the City Clerk.

Said privilege shall be constructed in accordance with plans and specifications approved by the Department of Planning and Development and Department of Transportation (Division of Project Development).

This grant of privilege in the public way shall be subject to the provisions of Section 10-28-015 and all other required provisions of the Municipal Code of Chicago.

The grantee shall pay to the City of Chicago as compensation for the privilege #1120622 herein granted the sum of zero (\$.00) per annum in advance.

A 25% penalty will be added for payments received after due date.

The permit holder agrees to hold the City of Chicago harmless for any damage, relocation or replacement costs associated with damage, relocation or removal of private property caused by the City performing work in the public way.

Authority herein given and granted for a period of five (5) years from and after Date of Passage.

Alderman



James Cappleman 46th Ward

1998

ETP-MT/R OP SOLAR – Solar Powered Emergency Phone Tower

Options

ETP-MT/R-OP-SOLAR Configuration	Emergency Phone Options	Wireless Options
Analog Connectivity	ETP-400 Series Phone	Order model ETP-CI to create a stand-alone cellular communications tower when used in conjunction with an ETP-400 series emergency phone.
IP Connectivity	VOIP-500 Series Phone	Order model VOIP-RF-FM1100 to create a stand-alone point-to-point, point-to-multipoint, or mesh network solution when used in conjunction with a VOIP-500 series emergency phone. Requires a second unit at the head-end location. Order model VOIP-RF-FM-POE to power the VOIP-RF-FM1100.

ETP-MT/R-OP-SOLAR tower includes a LED Blue Light, a LED Panel Light and an Anchor Bolt Kit. An Emergency Phone and a solar package are purchased separately. For solar package options see the solar system configuration data sheet.

Accessories

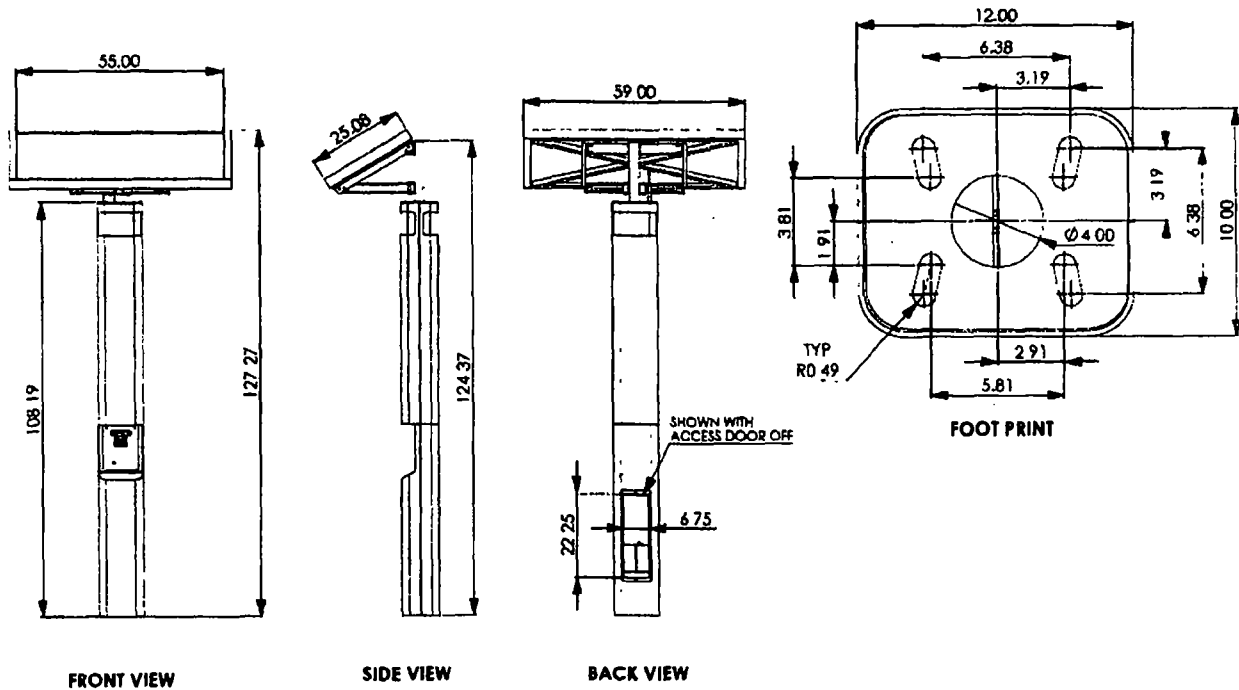
Parking Deck Mounting Kit:

Order model **ETP-PDMK-4** to mount on pre-poured parking deck.

Solar Package:

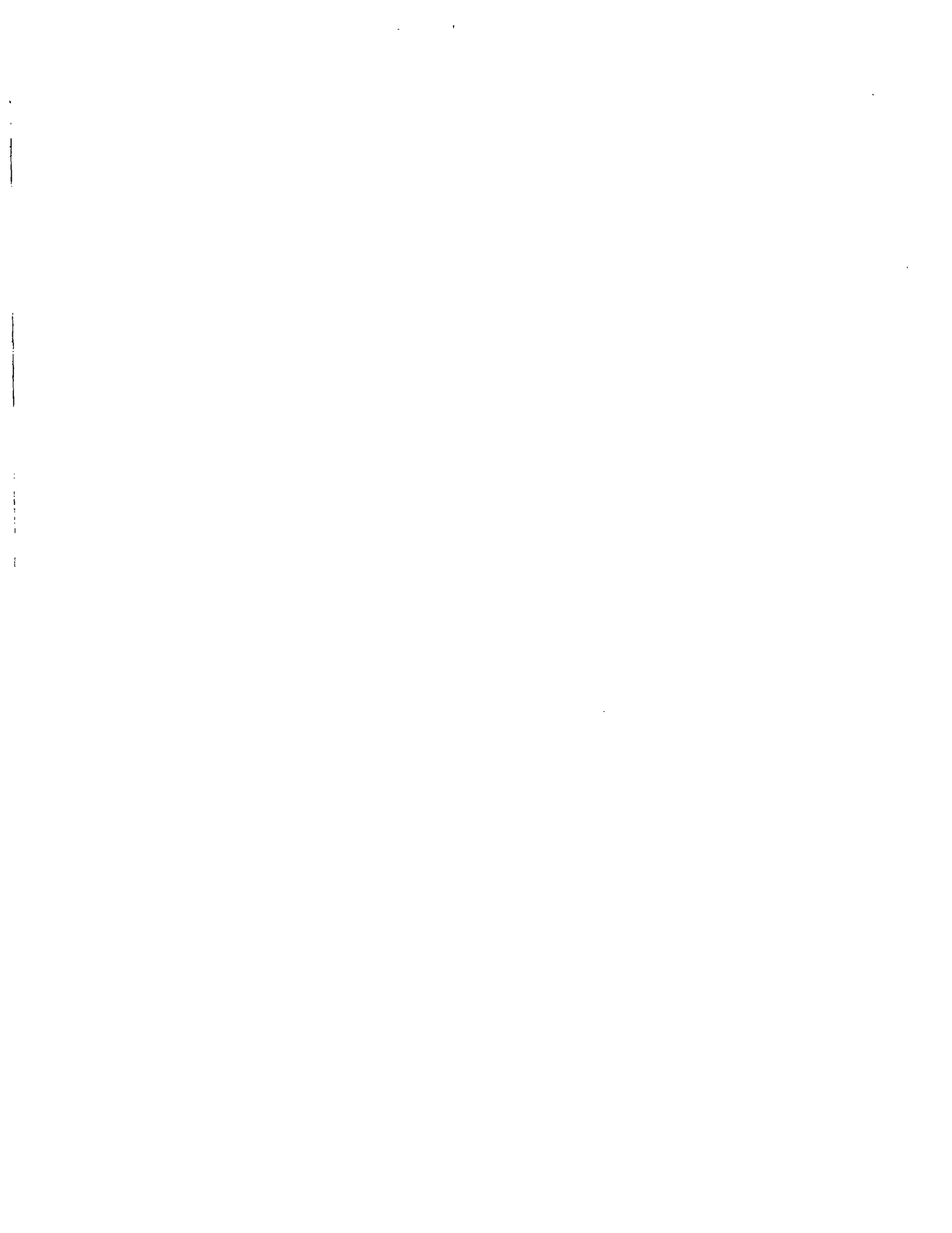
See the solar system configuration data sheet to include a solar panel and batteries package.

Dimensional Diagram



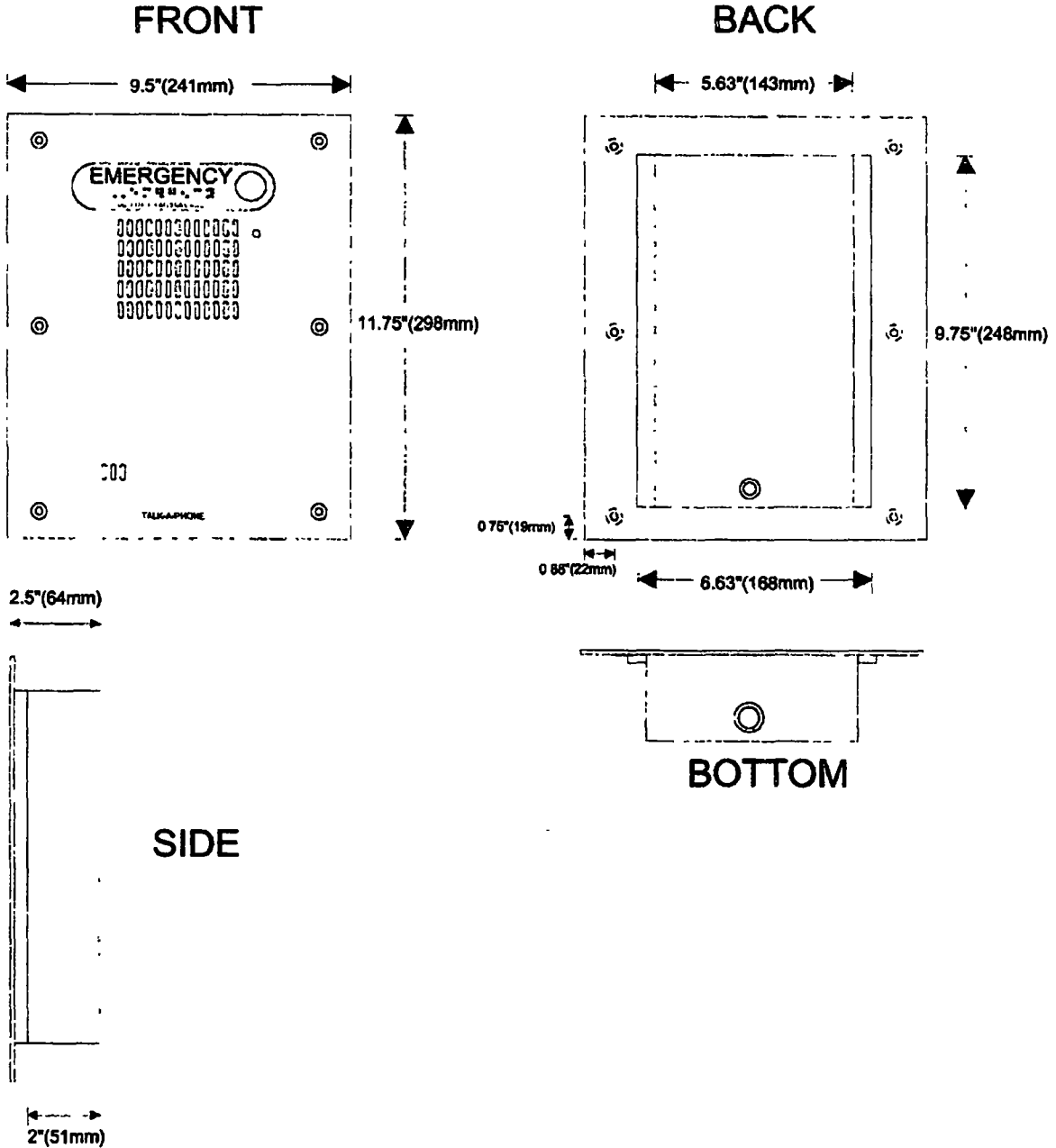
All dimensions are in inches and are provided for reference only.

Rev. 8/18/13



ETP-400 – Single Button Outdoor Emergency Phone

Dimensions



Copyright 2009 Talk-A-Phone Co. All rights reserved.

Talk-A-Phone Co. • 7530 North Natchez Avenue • Niles, Illinois 60714-3804
Phone 773.539.1100 • Fax 773.539.1241 • info@talkaphone.com • www.talkaphone.com
All prices and specifications are subject to change without notice.
Talk-A-Phone, Talk-A-Lert, Scream Alert and WEBS are registered trademarks of Talk-A-Phone Co.



Department of Business Affairs and Consumer Protection
Small Business Center - Public Way Use Unit
City Hall - 121 N. LaSalle Street, Room 800 • Chicago, IL 60602
312-74-GOBIZ / 312-744-6249 • (312) 744-1944 (TTY)
<http://www.cityofchicago.org/bacp>

12/09/2015

Alderman James Cappleman
Ward # 46
City of Chicago
City Hall, Room 200
121 North LaSalle Street
Chicago, Illinois 60602

Re: An ordinance to use and maintain a portion of the public right-of-way for **one (1) security phone(s)** for **CENTRAL LAKEVIEW MERCHANTS**, adjacent to the premises known as **3933 N. Sheridan Rd.**

Dear Alderman **James Cappleman**:

The applicant referenced above has requested the use of the public right-of-way for a **security phone(s)**. An ordinance has been prepared by the Department of Business Affairs and Consumer Protection – Small Business Center - Public Way Use Unit for presentation to the City Council. Because this request was made for properties located in your ward, as approved by you as per the attached, I respectfully request that you introduce the attached ordinance at the next City Council meeting.

If you have any questions regarding this ordinance, please contact Anthony Bertuca at (312) 744-5506.

Department of Business Affairs and Consumer Protection