



# City of Chicago



O2019-3732

Office of the City Clerk

## Document Tracking Sheet

<b>Meeting Date:</b>	5/16/2019
<b>Sponsor(s):</b>	Reilly (42)
<b>Type:</b>	Ordinance
<b>Title:</b>	Grant(s) of privilege in public way for Pain Cave Fitness LLC d.b.a. MagMile CrossFit
<b>Committee(s) Assignment:</b>	Committee on Transportation and Public Way

Direct  
#42

ORDINANCE

Pain Cave Fitness, LLC / dba MagMile CrossFit  
Acct. No. 431181 - 1  
Permit No. 1139093

*Be It Ordained by the City Council of the City of Chicago:*

SECTION 1. Permission and authority are hereby given and granted to Pain Cave Fitness, LLC / dba MagMile CrossFit, upon the terms and subject to the conditions of this ordinance to maintain and use one (1) sign(s) projecting over the public right-of-way attached to its premises known as 7 E. Illinois St..

Said sign structure(s) measures as follows; along E. Illinois:

One (1) at three point two five (3.25) feet in length, two point two five (2.25) feet in height and ten (10) feet above grade level.

The location of said privilege shall be as shown on prints kept on file with the Department of Business Affairs and Consumer Protection and the Office of the City Clerk.

Said privilege shall be constructed in accordance with plans and specifications approved by the Department of Transportation (Division of Project Development) and Zoning Department - Signs.

This grant of privilege in the public way shall be subject to the provisions of Section 10-28-015 and all other required provisions of the Municipal Code of Chicago.

The grantee shall pay to the City of Chicago as compensation for the privilege #1139093 herein granted the sum of one hundred (\$100.00) per annum in advance.

A 25% penalty will be added for payments received after due date.

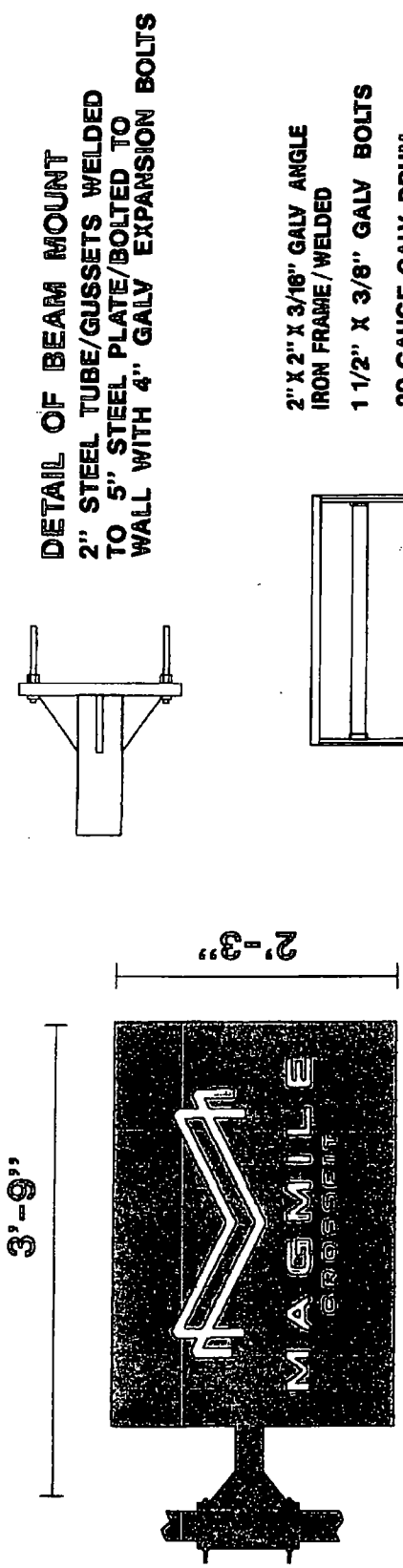
The permit holder agrees to hold the City of Chicago harmless for any damage, relocation or replacement costs associated with damage, relocation or removal of private property caused by the City performing work in the public way.

Authority herein given and granted for a period of five (5) years from and after Date of Passage.

Alderman \_\_\_\_\_

Brendan Reilly 42<sup>nd</sup> Ward

Page 6-A



**DETAIL OF BEAM MOUNT**

2" STEEL TUBE/GUSSETS WELDED TO 5" STEEL PLATE/BOLTED TO WALL WITH 4" GALV EXPANSION BOLTS

- 2" X 2" X 3/16" GALV ANGLE IRON FRAME/WELDED
- 1 1/2" X 3/8" GALV BOLTS
- 20 GAUGE GALV DRUM
- 2" X 2" GALV 20 GA TRIM
- 1/2" DRAIN HOLES
- 3/16" LEXAN FACES

**TYPICAL**

**39" X 27" DOUBLE FACE BEAM MOUNT SIGN**

EXTENDING 3'-9" OVER PUBLIC RIGHT OF WAY  
See Attachments 1 & 2 for color photos

10' TO GRADE

- ALL WIRING IN 20 GA FACEWAYS NO 14 WIRE 600V 15 AMP
- HIGH OUTPUT LAMPS
- 1,000 V LAMP HOLDERS
- DISCONNECT SWITCH
- 800 M A BALLASTS 110 V
- UL APPROVED

**Best Neon Sign**

SCALE 1"=50' SK NO. MAGMILE

CUSTOMER MAGMILE CROSSFIT

JOB ADDRESS 7 E ILLINOIS ST

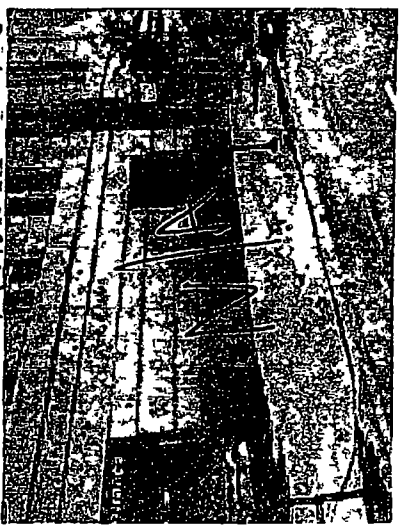
CITY CHICAGO STATE IL

APPROVED DATE 12/18

CUSTOMER APPROVAL



**AFTER**



**BEFORE**

By signing the approval box on this sheet, I understand that I am accepting all aspects of this drawing. This includes amount, specifications, dimensions, spelling, and any other representations herein. I also understand that color reproductions on this sheet are approximate, and may not match manufacturer product exactly.



**04/10/2019**

**Alderman Brendan Reilly**  
Ward # **42**  
City of Chicago  
City Hall, Room **300**  
121 North LaSalle Street  
Chicago, Illinois 60602

Re: An ordinance to use and maintain a portion of the public right-of-way for **one (1) sign(s)** for **Pain Cave Fitness, LLC / dba MagMile CrossFit**, adjacent to the premises known as **7 E. Illinois St.**.

Dear Alderman **Brendan Reilly**:

The applicant referenced above has requested the use of the public right-of-way for a **sign(s)**. An ordinance has been prepared by the Department of Business Affairs and Consumer Protection – Small Business Center - Public Way Use Unit for presentation to the City Council. Because this request was made for properties located in your ward, as approved by you as per the attached, I respectfully request that you introduce the attached ordinance at the next City Council meeting.

If you have any questions regarding this ordinance, please contact Anthony Bertuca at (312) 744-5506.

**Department of Business Affairs and Consumer Protection**