



City of Chicago



O2017-6672

Office of the City Clerk Document Tracking Sheet

Meeting Date:	9/6/2017
Sponsor(s):	Waguespack (32)
Type:	Ordinance
Title:	Grant(s) of privilege in public way for MedVet Chicago
Committee(s) Assignment:	Committee on Transportation and Public Way

ORDINANCE
MedVet Chicago
Acct. No. 414328 - 1
Permit No. 1128723

Be It Ordained by the City Council of the City of Chicago:

SECTION 1. Permission and authority are hereby given and granted to MedVet Chicago, upon the terms and subject to the conditions of this ordinance to maintain and use one (1) sign(s) projecting over the public right-of-way attached to its premises known as 3123 N. Clybourn Ave..

Said sign structure(s) measures as follows; along N. Clybourn Avenue:
One (1) at fifteen (15) feet in length, five (5) feet in height and thirty (30) feet above grade level.

The location of said privilege shall be as shown on prints kept on file with the Department of Business Affairs and Consumer Protection and the Office of the City Clerk.

Said privilege shall be constructed in accordance with plans and specifications approved by the Department of Transportation (Division of Project Development) and Zoning Department - Signs.

This grant of privilege in the public way shall be subject to the provisions of Section 10-28-015 and all other required provisions of the Municipal Code of Chicago.

The grantee shall pay to the City of Chicago as compensation for the privilege #1128723 herein granted the sum of three hundred (\$300.00) per annum in advance.

A 25% penalty will be added for payments received after due date.

The permit holder agrees to hold the City of Chicago harmless for any damage, relocation or replacement costs associated with damage, relocation or removal of private property caused by the City performing work in the public way.

Authority herein given and granted for a period of five (5) years from and after Date of Passage.

Alderman 
Scott Waguespack 32nd Ward

MEDVET

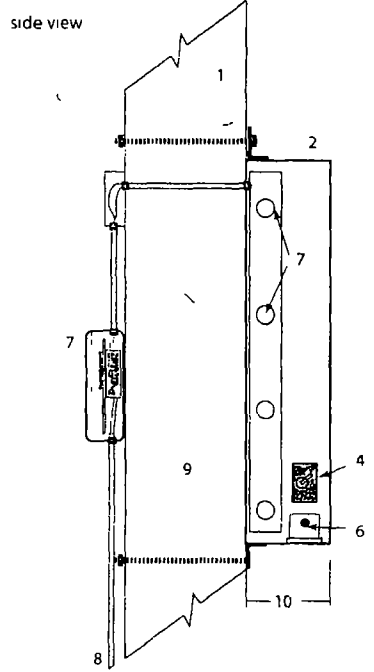
3123 N Clybourn Ave, Chicago, IL 60618

Cabinet Sign

South Construction Rendering

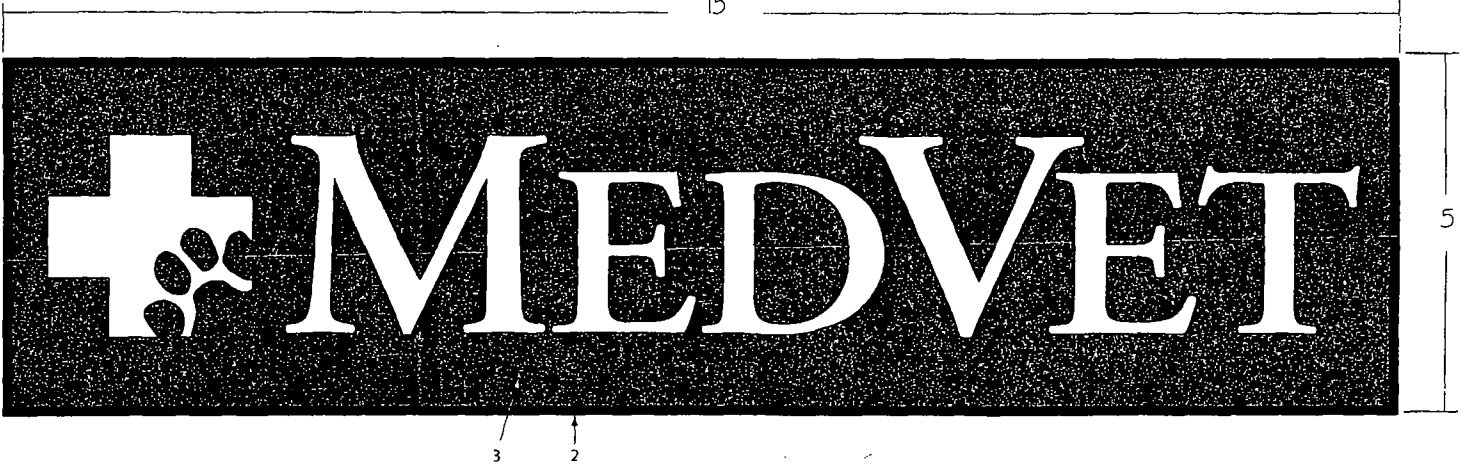
Sign Cabinet Faces
new (1/4 polycarbonate sign faces)
installed into existing sign cabinets
translucent and opaque vinyl graphics
Faces reinforced with self drilling screws
every 2 feet into sign retainer

Wiring and electrical already completes
H/O fluorescent lamps (8)



- 1 existing building
- 2 sign cabinet
- 3 sign face
- 4 on/off switch
- 5 ballast
- 6 LED modules
- 7 high output lamps
- 8 out to existing power
- 9 bolt and hardware

front view





Department of Business Affairs and Consumer Protection

Small Business Center - Public Way Use Unit
City Hall - 121 N. LaSalle Street, Room 800 • Chicago, IL 60602
312-74-GOBIZ / 312-744-6249 • (312) 744-1944 (TTY)
<http://www.cityofchicago.org/bacp>

09/06/2017

Alderman Scott Waguespack
Ward # 32
City of Chicago
City Hall, Room 300
121 North LaSalle Street
Chicago, Illinois 60602

Re: An ordinance to use and maintain a portion of the public right-of-way for **one (1) sign(s)** for **MedVet Chicago**, adjacent to the premises known as **3123 N. Clybourn Ave.**.

Dear Alderman **Scott Waguespack**:

The applicant referenced above has requested the use of the public right-of-way for a **sign(s)**. An ordinance has been prepared by the Department of Business Affairs and Consumer Protection – Small Business Center - Public Way Use Unit for presentation to the City Council. Because this request was made for properties located in your ward, as approved by you as per the attached, I respectfully request that you introduce the attached ordinance at the next City Council meeting.

If you have any questions regarding this ordinance, please contact Anthony Bertuca at (312) 744-5506.

Department of Business Affairs and Consumer Protection