



City of Chicago



O2016-7450

Office of the City Clerk

Document Tracking Sheet

Meeting Date:	10/5/2016
Sponsor(s):	Munoz (22)
Type:	Ordinance
Title:	Awning(s) for MetroPCS
Committee(s) Assignment:	Committee on Transportation and Public Way

ORDINANCE
METRO PCS
Acct. No. 392523 - 2
Permit No. 1117060

Be It Ordained by the City Council of the City of Chicago:

SECTION 1. Permission and authority are hereby given and granted to METRO PCS, upon the terms and subject to the conditions of this ordinance to construct, install, maintain and use one (1) Awning(s) projecting over the public right-of-way adjacent to its premises known as 3954 W. 26th St..

Said Awning(s) at W. 26th Street measure(s):

One (1) at eighteen (18) feet in length, and three (3) feet in width for a total of fifty-four (54) square feet.

The location of said privilege shall be as shown on prints kept on file with the Department of Business Affairs and Consumer Protection and the Office of the City Clerk.

Said privilege shall be constructed in accordance with plans and specifications approved by the Zoning Department - Signs.

This grant of privilege in the public way shall be subject to the provisions of Section 10-28-015 and all other required provisions of the Municipal Code of Chicago.

The grantee shall pay to the City of Chicago as compensation for the privilege #1117060 herein granted the sum of fifty (\$50.00) per annum in advance.

A 25% penalty will be added for payments received after due date.

The permit holder agrees to hold the City of Chicago harmless for any damage, relocation or replacement costs associated with damage, relocation or removal of private property caused by the City performing work in the public way.

Authority herein given and granted for a period of five (5) years from and after Date of Passage.

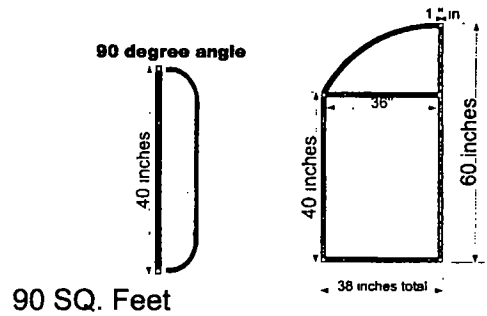
Alderman



Ricardo Munoz 22nd Ward

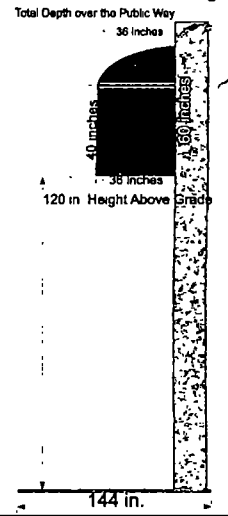
DBA: **Metro PCS**

3954 W. 26th ST. Chicago, IL 60608
3954



90 SQ. Feet

Side view of Building



Banana Signs Inc.

6532 S. Lavergne Ave. Bedford Park, IL 60638
773-807-2487

General Specifications:

Canopie with galvanized tubing. Tubes are to be 1 inch thick and will be soldered to give the shape shown above. The material that will be used is 19 ounce awning material in the color purple. "Metro PCS Authorized Dealer" is to be in the color white.