



# City of Chicago



O2014-3660

Office of the City Clerk

## Document Tracking Sheet

<b>Meeting Date:</b>	4/30/2014
<b>Sponsor(s):</b>	Tunney (44)
<b>Type:</b>	Ordinance
<b>Title:</b>	Awning(s) for Crisp
<b>Committee(s) Assignment:</b>	Committee on Transportation and Public Way

ORDINANCE  
CRISP  
Acct. No. 322862 - 1  
Permit No. 1112527

*Be It Ordained by the City Council of the City of Chicago:*

SECTION 1. Permission and authority are hereby given and granted to CRISP, upon the terms and subject to the conditions of this ordinance to maintain and use, as now constructed, one (1) Awning(s) projecting over the public right-of-way adjacent to its premises known as 2940 N. Broadway .

Said Awning(s) at N. Broadway measure(s):

One (1) at fourteen point zero eight (14.08) feet in length, and two point zero eight (2.08) feet in width for a total of twenty-nine point two nine (29.29) square feet.

The location of said privilege shall be as shown on prints kept on file with the Department of Business Affairs and Consumer Protection and the Office of the City Clerk.

Said privilege shall be constructed in accordance with plans and specifications approved by the Zoning Department - Signs.


This grant of privilege in the public way shall be subject to the provisions of Section 10-28-015 and all other required provisions of the Municipal Code of Chicago.

The grantee shall pay to the City of Chicago as compensation for the privilege #1112527 herein granted the sum of fifty (\$50.00) per annum in advance.

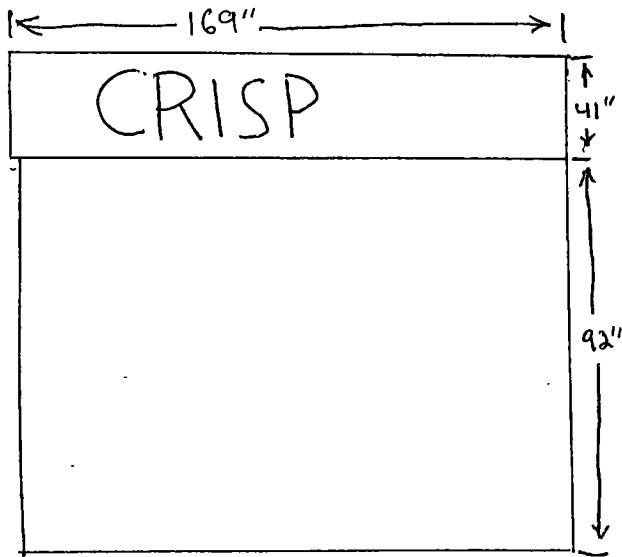
A 25% penalty will be added for payments received after due date.

The permit holder agrees to hold the City of Chicago harmless for any damage, relocation or replacement costs associated with damage, relocation or removal of private property caused by the City performing work in the public way.

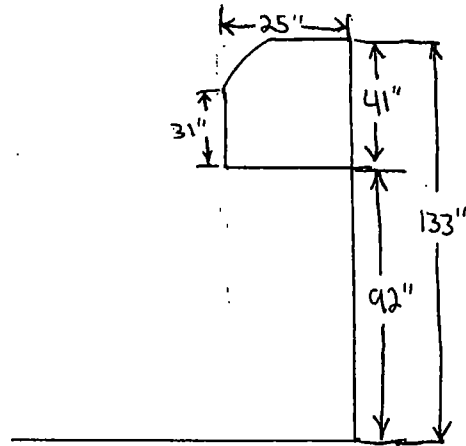
Authority herein given and granted for a period of five (5) years from and after 01/13/2014.

Alderman   
Thomas Tunney 44th Ward

Front - Facing East



Right Side - Facing North



Left Side - Facing South

