



City of Chicago



O2017-271

Office of the City Clerk

Document Tracking Sheet

Meeting Date:	1/25/2017
Sponsor(s):	Ramirez-Rosa (35)
Type:	Ordinance
Title:	Awning(s) for Elcanto Shoes
Committee(s) Assignment:	Committee on Transportation and Public Way

ORDINANCE
ELCANTO SHOES
Acct. No. 54554 - 3
Permit No. 1124396

Be It Ordained by the City Council of the City of Chicago:

SECTION 1. Permission and authority are hereby given and granted to ELCANTO SHOES, upon the terms and subject to the conditions of this ordinance to construct, install, maintain and use one (1) Awning(s) projecting over the public right-of-way adjacent to its premises known as 3748 W. Lawrence Ave..

Said Awning(s) at W. Lawrence measure(s):

One (1) at twenty-eight (28) feet in length, and two (2) feet in width for a total of fifty-six (56) square feet.

The location of said privilege shall be as shown on prints kept on file with the Department of Business Affairs and Consumer Protection and the Office of the City Clerk.

Said privilege shall be constructed in accordance with plans and specifications approved by the Zoning Department - Signs.

This grant of privilege in the public way shall be subject to the provisions of Section 10-28-015 and all other required provisions of the Municipal Code of Chicago.

The grantee shall pay to the City of Chicago as compensation for the privilege #1124396 herein granted the sum of fifty-three (\$53.00) per annum in advance.

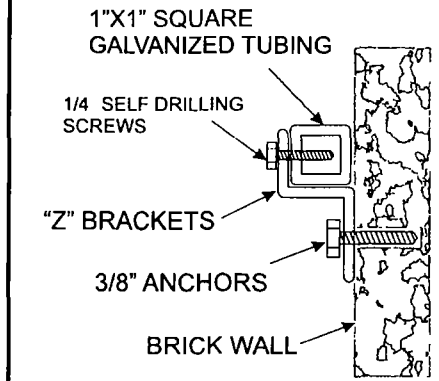
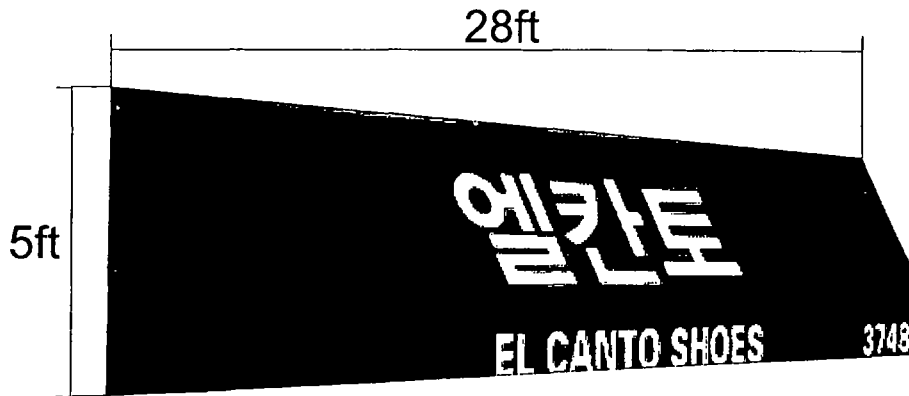
A 25% penalty will be added for payments received after due date.

The permit holder agrees to hold the City of Chicago harmless for any damage, relocation or replacement costs associated with damage, relocation or removal of private property caused by the City performing work in the public way.

Authority herein given and granted for a period of five (5) years from and after Date of Passage.

Alderman 
Carlos Ramirez-Rosa 35th Ward

New Awning



tfasigns
5500 N. Kedzie Ave Chicago, IL 60625
773-267-6007 | sales@tfasigns.com

Client El Canto Shoes
Address 3748 W Lawrence Ave. #1
Chicago IL 60625
Tel _____
Email _____

Landlord _____
Address _____
Tel _____
Email _____

Start Date 00/00/0000
Last Revision 00/00/0000
Job# 00000
Drawing# 00000a v1 s1 / e1
Page 1 of 2

Client Approval _____
Landlord Approval _____

Sales Rep
Seung Park
Designer

E322358

Handwritten signature or scribble.