



# City of Chicago



O2014-9651

Office of the City Clerk

## Document Tracking Sheet

<b>Meeting Date:</b>	11/19/2014
<b>Sponsor(s):</b>	Pawar (47)
<b>Type:</b>	Ordinance
<b>Title:</b>	Grant(s) of privilege in public way for Ravenswood Community Council - 4557 N Ravenswood Ave
<b>Committee(s) Assignment:</b>	Committee on Transportation and Public Way

ORDINANCE  
RAVENSWOOD COMMUNITY COUNCIL  
Acct. No. 301889 - 24  
Permit No. 1115598

*Be It Ordained by the City Council of the City of Chicago:*

SECTION 1. Permission and authority are hereby given and granted to RAVENSWOOD COMMUNITY COUNCIL, upon the terms and subject to the conditions of this ordinance to construct, install, maintain and use one (1) Bicycle Rack(s) on the public right-of-way adjacent to its premises known as 4557 N. Ravenswood Ave..

Said Bicycle Rack(s) at N. Ravenswood Avenue measure(s):

One (1) at three (3) feet in length, and point three three (.33) feet in width for a total of point nine nine (.99) square feet.

The location of said privilege shall be as shown on prints kept on file with the Department of Business Affairs and Consumer Protection and the Office of the City Clerk.

Said privilege shall be constructed in accordance with plans and specifications approved by the Department of Planning and Development and Department of Transportation (Division of Project Development).


This grant of privilege in the public way shall be subject to the provisions of Section 10-28-015 and all other required provisions of the Municipal Code of Chicago.

The grantee shall pay to the City of Chicago as compensation for the privilege #1115598 herein granted the sum of zero (\$0.00) per annum in advance.

A 25% penalty will be added for payments received after due date:

The permit holder agrees to hold the City of Chicago harmless for any damage, relocation or replacement costs associated with damage, relocation or removal of private property caused by the City performing work in the public way.

Authority herein given and granted for a period of five (5) years from and after Date of Passage.

Alderman   
Ameya Pawar 47th Ward

ORDINANCE  
RAVENSWOOD COMMUNITY COUNCIL  
Acct. No. 301889 - 24  
Permit No. 1115598

*Be It Ordained by the City Council of the City of Chicago:*

SECTION 1. Permission and authority are hereby given and granted to RAVENSWOOD COMMUNITY COUNCIL, upon the terms and subject to the conditions of this ordinance to construct, install, maintain and use one (1) Bicycle Rack(s) on the public right-of-way adjacent to its premises known as 4557 N. Ravenswood Ave..

Said Bicycle Rack(s) at N. Ravenswood Avenue measure(s):

One (1) at three (3) feet in length, and point three three (.33) feet in width for a total of point nine nine (.99) square feet. Said bicycle rack shall be thirty-four (34) inches in height.

The location of said privilege shall be as shown on prints kept on file with the Department of Business Affairs and Consumer Protection and the Office of the City Clerk.

Said privilege shall be constructed in accordance with plans and specifications approved by the Department of Planning and Development and Department of Transportation (Division of Project Development).

This grant of privilege in the public way shall be subject to the provisions of Section 10-28-015 and all other required provisions of the Municipal Code of Chicago.

The grantee shall pay to the City of Chicago as compensation for the privilege #1115598 herein granted the sum of zero (\$.00) per annum in advance.

A 25% penalty will be added for payments received after due date.

The permit holder agrees to hold the City of Chicago harmless for any damage, relocation or replacement costs associated with damage, relocation or removal of private property caused by the City performing work in the public way.

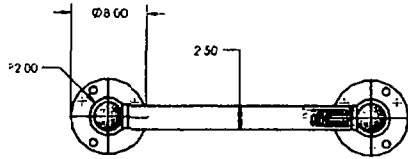
Authority herein given and granted for a period of five (5) years from and after Date of Passage.

Alderman

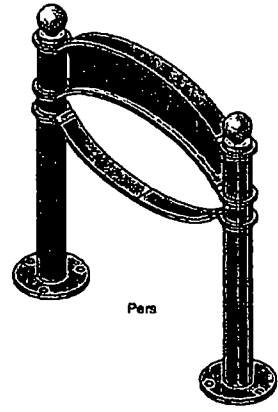


Ameya Pawar 47th Ward

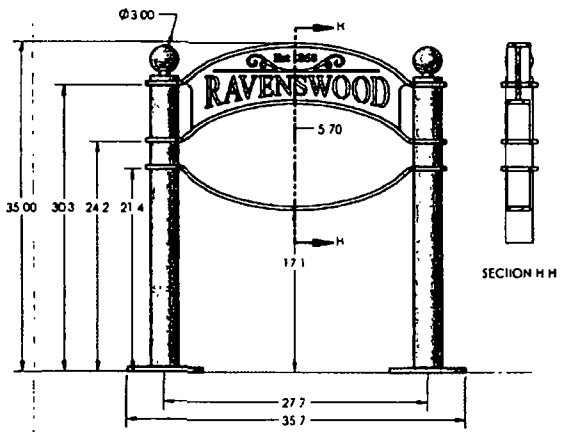
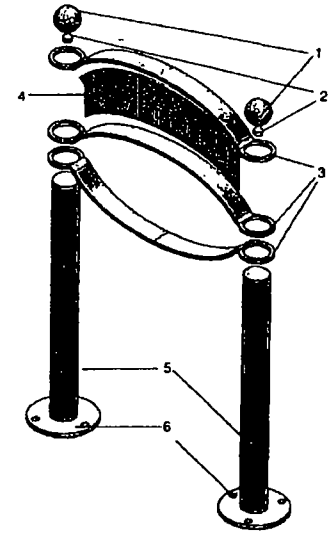
**BILL OF MATERIALS**



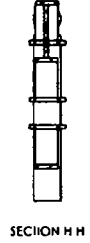
Top



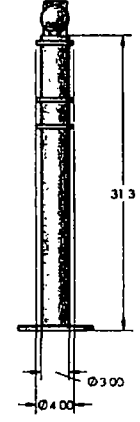
Pers



Front



SECTION H H



Right

RAVENSWOOD BIKE RACK BEYOND DESIGN					
SCALE 1/2		A3			
ITEM NO	MATERIAL	QTY	GAUGE	COLOR	DESCRIPTION
1	STEEL	2		BLACK	SPHERE TOP
2	STEEL	2		BLACK	SPACER
3	STEEL	3	4	BLACK	ARCHED SUPPORTS
4	STEEL	1	4	BLACK	ARCHED SUPPORT PLATE
5	STEEL	2		BLACK	PILLARS
6	STEEL	2		BLACK	PIVOT PLATE



**11/19/2014**

**Alderman Ameya Pawar**  
Ward # 47  
City of Chicago  
City Hall, Room 300  
121 North LaSalle Street  
Chicago, Illinois 60602

Re: An ordinance to use and maintain a portion of the public right-of-way for **one (1) bicycle rack(s)** for **RAVENSWOOD COMMUNITY COUNCIL**, adjacent to the premises known as **4557 N. Ravenswood Ave.**

Dear Alderman **Ameya Pawar**:

The applicant referenced above has requested the use of the public right-of-way for a **bicycle rack(s)**. An ordinance has been prepared by the Department of Business Affairs and Consumer Protection – Small Business Center - Public Way Use Unit for presentation to the City Council. Because this request was made for properties located in your ward, as approved by you as per the attached, I respectfully request that you introduce the attached ordinance at the next City Council meeting.

If you have any questions regarding this ordinance, please contact Anthony Bertuca at (312) 744-5506.

**Department of Business Affairs and Consumer Protection**