



Office of the City Clerk



O2013-190

Office of the City Clerk

City Council Document Tracking Sheet

Meeting Date:	1/17/2013
Sponsor(s):	Burnett, Walter (27)
Type:	Ordinance
Title:	Grant(s) of privilege in public way for Studio Merchandise Inc.
Committee(s) Assignment:	Committee on Transportation and Public Way

ORDINANCE
STUDIO MERCHANDISE INC
Acct. No. 208122 - 1
Permit No. 1104111

Be It Ordained by the City Council of the City of Chicago:

SECTION 1. Permission and authority are hereby given and granted to STUDIO MERCHANDISE INC, upon the terms and subject to the conditions of this ordinance to maintain and use, as now constructed, two (2) Door Swing(s) on the public right-of-way adjacent to its premises known as 1017 W. Washington Blvd..

Said Door Swing(s) at N. Carpenter measure(s):

Two (2) at one (1) foot in length, and three point five (3.5) feet in width for a total of seven (7) square feet.

The location of said privilege shall be as shown on prints kept on file with the Department of Business Affairs and Consumer Protection and the Office of the City Clerk.

Said privilege shall be constructed in accordance with plans and specifications approved by the Department of Transportation (Division of Project Development).


This grant of privilege in the public way shall be subject to the provisions of Section 10-28-015 and all other required provisions of the Municipal Code of Chicago.

The grantee shall pay to the City of Chicago as compensation for the privilege #1104111 herein granted the sum of one hundred fifty (\$150.00) per annum in advance.

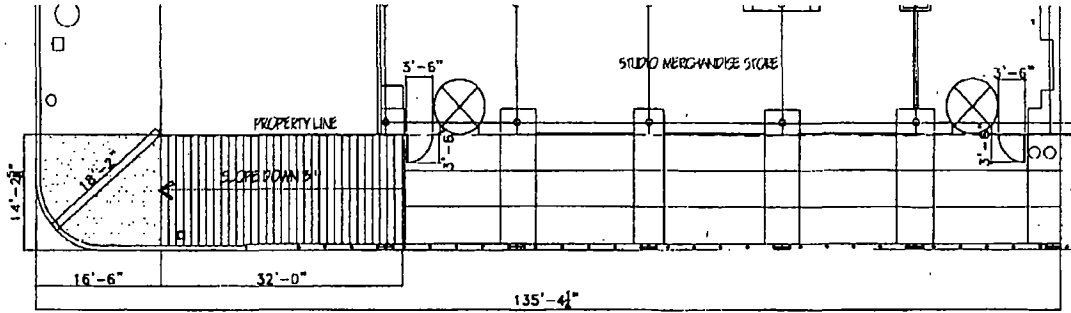
A 25% penalty will be added for payments received after due date.

The permit holder agrees to hold the City of Chicago harmless for any damage, relocation or replacement costs associated with damage, relocation or removal of private property caused by the City performing work in the public way.

Authority herein given and granted for a period of five (5) years from and after 01/09/2013.

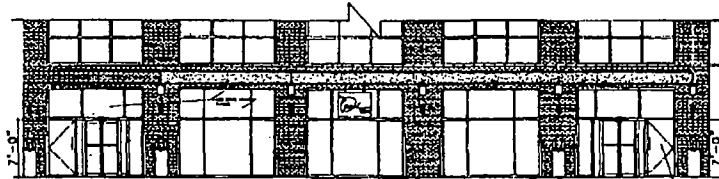
Alderman 
Walter Burnett Jr. 27th Ward

WASHINGTON



CARPENTER STREET

PUBLIC USAGE PLAN: 1/16"=1'-0"



NEW STORE FRONT GLAZING SYSTEM TYPICAL @
 EXISTING PERMANENT (P-01), HEIGHT CHANGE W/ ALL
 DIMENSIONS) PARTITE (P-02) SYSTEM (1/2" x 1/2" x 1/2")
 ANODIZED ALUMINUM FRAME - COLOR T-01/
 WITH CLEAR INSULATED GLASS (BOTTOM PANEL
 TYPICAL) FIELD (M-01, M-02) SHOP DRAWINGS
 104 - OWNER/ARCHITECTURE REVIEW

Joel Berman
JOEL BERMAN
 ARCHITECTURE & DESIGN

5212 NORTH CLARK STREET
 SUITE 3
 CHICAGO, ILLINOIS 60640
 T.773.279.5966
 F.773.584.8638
 www.BermanArchitecture.com
 ARCHITECTURE - INTERIOR DESIGN - DESIGN-BUILD

NEW RETAIL STORE for
STUDIO MERCHANDISE INC.

1017 W. WASHINGTON ST., CHICAGO IL 12/11/07

SK8