



Office of the Chicago City  
Clerk



O2011-7663

Office of the City Clerk

City Council Document Tracking Sheet

<b>Meeting Date:</b>	9/8/2011
<b>Sponsor(s):</b>	Reilly, Brendan (42)
<b>Type:</b>	Ordinance
<b>Title:</b>	Grant(s) of Privilege in Public Way for Roti 200 West Randolph LLC
<b>Committee(s) Assignment:</b>	Committee on Transportation and Public Way

ORDINANCE  
ROTI 200 WEST RANDOLPH, LLC  
Acct. No. 360497 - 1  
Permit No. 1096172

*Be It Ordained by the City Council of the City of Chicago:*

SECTION 1. Permission and authority are hereby given and granted to ROTI 200 WEST RANDOLPH, LLC, upon the terms and subject to the conditions of this ordinance to construct, install, maintain and use one (1) Banner(s) projecting over the public right-of-way adjacent to its premises known as 200 W. Randolph St.

Said Banner(s) at W. Randolph measure(s):

One (1) at two point five (2.5) feet in length, and nine (9) feet in width for a total of twenty-two point five (22.5) square feet.

The location of said privilege shall be as shown on prints kept on file with the Department of Business Affairs and Consumer Protection and the Office of the City Clerk.

Said privilege shall be constructed in accordance with plans and specifications approved by the Zoning Department - Signs.

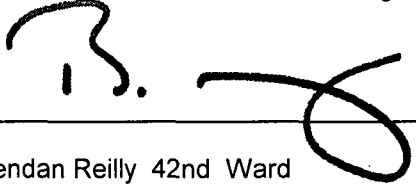
This grant of privilege in the public way shall be subject to the provisions of Section 10-28-015 and all other required provisions of the Municipal Code of Chicago.

The grantee shall pay to the City of Chicago as compensation for the privilege #1096172 herein granted the sum of seventy-five (\$75.00) per annum in advance.

A 25% penalty will be added for payments received after due date.

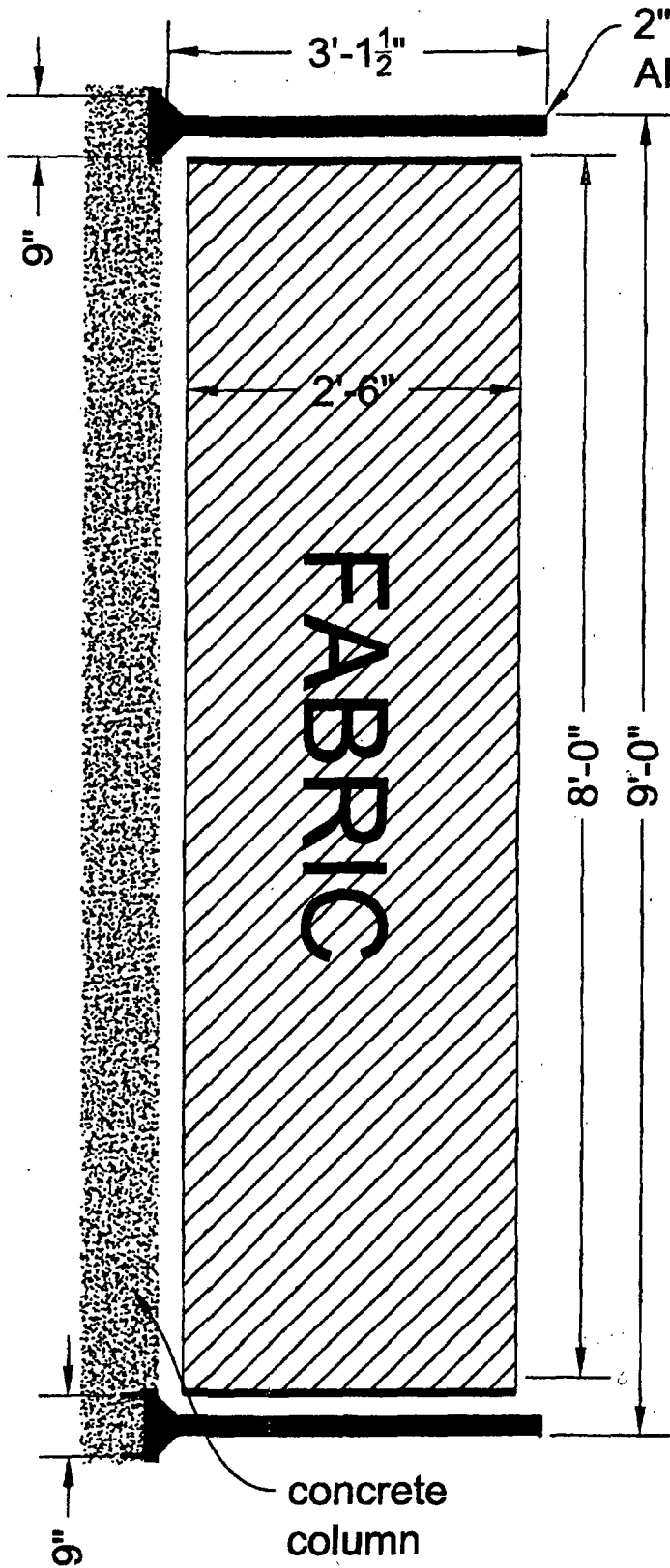
The permit holder agrees to hold the City of Chicago harmless for any damage, relocation or replacement costs associated with damage, relocation or removal of private property caused by the City performing work in the public way.

Authority herein given and granted for a period of five (5) years from and after Date of Passage.

Alderman   
Brendan Reilly 42nd Ward

**SIDE VIEW  
BANNER (QTY 1)**

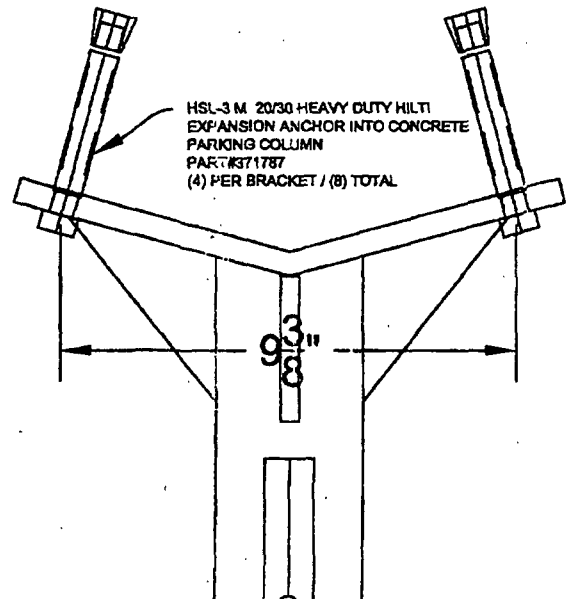
**JOB#720294  
ROTI MEDI GRILL**



**2" SQ. BANNER  
ARM**

- NOTES:**
- GALV STL BANNER BRACKETS (1) (2) PIECES.
  - PAINT FINISH BLACK
  - 2" SQ. BANNER ARMS
  - SEE DETAILS OF ATTACHMENT

**SECTION PLAN VIEW  
ATTACHMENT DETAIL**



<b>THATCHER OAKS AWNING</b>		
DRAWN	3-15-11	718 N INDUSTRIAL DR.
R.J.H.		ELMHURST, IL 60126
CHECKED	3-15-11	(630)-833-5700
SALESMAN	3-15-11	
H.P. SR.		<b>JOB NUMBER</b>
APPROVED	3-15-11	720294
		SHEET 1 OF 1