



City of Chicago



O2018-7368

Office of the City Clerk Document Tracking Sheet

Meeting Date:	9/20/2018
Sponsor(s):	Osterman (48)
Type:	Ordinance
Title:	Awning(s) for Rhapsody
Committee(s) Assignment:	Committee on Transportation and Public Way

ORDINANCE
RHAPSODY
Acct. No. 426104 - 1
Permit No. 1134697

Be It Ordained by the City Council of the City of Chicago:

SECTION 1. Permission and authority are hereby given and granted to RHAPSODY, upon the terms and subject to the conditions of this ordinance to construct, install, maintain and use one (1) Awning(s) projecting over the public right-of-way adjacent to its premises known as 1002 W. Argyle St..

Said Awning(s) at W. ARGYLE STREET measure(s):

One (1) at twenty-two (22) feet in length, and five (5) feet in width for a total of one hundred ten (110) square feet.

The location of said privilege shall be as shown on prints kept on file with the Department of Business Affairs and Consumer Protection and the Office of the City Clerk.

Said privilege shall be constructed in accordance with plans and specifications approved by the Zoning Department - Signs.

This grant of privilege in the public way shall be subject to the provisions of Section 10-28-015 and all other required provisions of the Municipal Code of Chicago.

The grantee shall pay to the City of Chicago as compensation for the privilege #1134697 herein granted the sum of fifty (\$50.00) per annum in advance.

A 25% penalty will be added for payments received after due date.

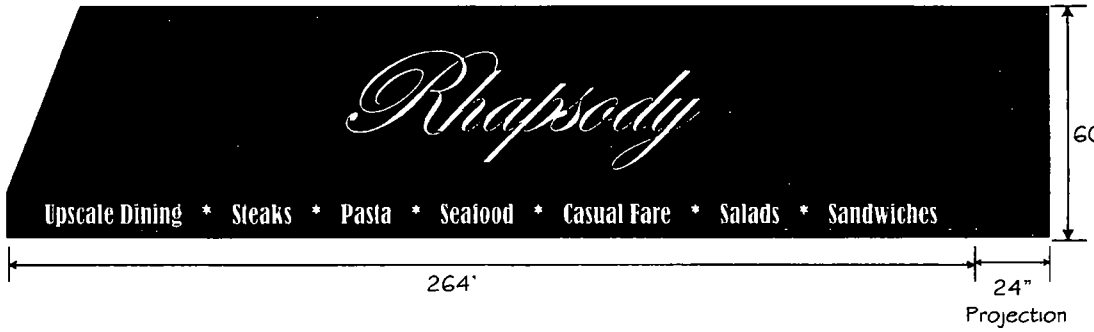
The permit holder agrees to hold the City of Chicago harmless for any damage, relocation or replacement costs associated with damage, relocation or removal of private property caused by the City performing work in the public way.

Authority herein given and granted for a period of five (5) years from and after Date of Passage.

Alderman _____


Harry Osterman 48th Ward

SIGN 1: AWNING

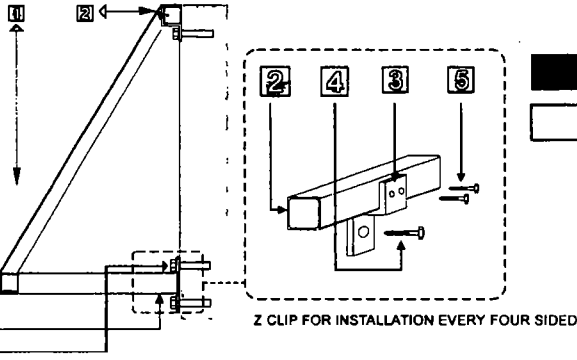


FABRIC MATERIAL
SUNBRELLA - BLACK (page 29)

*ACTUAL COLOR TO BE DETERMINED BY CUSTOMER

SPECIFICATIONS

- 1 AWNING FABRIC MATERIAL
- 2 1 X 1 SQUARE TUBE FRAME
- 3 3/16" GALVANIZED STEEL Z-CLIP ATTACHMENT
- 4 APPROPRIATE NON-CORROSIVE WALL FASTENER
3/8 IN ZINC-PLATED HEX LAG SCREW
SPACING EACH 4 FT
SEE MOUNTING OPTION DETAILS
- 5 #12 TEK SCREW



COLOR SCHEDULE

MOUNTING DETAIL

Thru-Bolt Mounting

Hanger Bolts

Reverse Toggle Bolt Mounting

Masonry Lag Bolt Mounting



Client Name
Rhapsody

Location
1002 W Argyle St
Chicago IL 60640

Start Date 05/30/2018

Last Revision

Job#

Drawing#

Page 4

- Client Approval
- Landlord Approval

Sales Rep
kw
Designer





09/20/2018

Alderman **Harry Osterman**
Ward # **48**
City of Chicago
City Hall, Room **300**
121 North LaSalle Street
Chicago, Illinois 60602

Re: An ordinance to use and maintain a portion of the public right-of-way for **one (1) awning(s)** for **RHAPSODY**, adjacent to the premises known as **1002 W. Argyle St.**

Dear Alderman **Harry Osterman**:

The applicant referenced above has requested the use of the public right-of-way for a **awning(s)**. An ordinance has been prepared by the Department of Business Affairs and Consumer Protection – Small Business Center - Public Way Use Unit for presentation to the City Council. Because this request was made for properties located in your ward, as approved by you as per the attached, I respectfully request that you introduce the attached ordinance at the next City Council meeting.

If you have any questions regarding this ordinance, please contact Anthony Bertuca at (312) 744-5506.

Department of Business Affairs and Consumer Protection