



City of Chicago



O2019-4318

Office of the City Clerk

Document Tracking Sheet

Meeting Date:	6/12/2019
Sponsor(s):	Hopkins (2)
Type:	Ordinance
Title:	Grant(s) of privilege in public way for EQ3 Ltd.
Committee(s) Assignment:	Committee on Transportation and Public Way

ORDINANCE
EQ3 LTD.
Acct. No. 432327 - 2
Permit No. 1137252

Be It Ordained by the City Council of the City of Chicago:

SECTION 1. Permission and authority are hereby given and granted to EQ3 LTD., upon the terms and subject to the conditions of this ordinance to maintain and use two (2) sign(s) projecting over the public right-of-way attached to its premises known as 1520 N. Halsted St..

Said sign structure(s) measures as follows; along N. HALSTED STREET:

One (1) at seven point one seven (7.17) feet in length, two point five eight (2.58) feet in height and ten (10) feet above grade level.

One (1) at two (2) feet in length, point nine two (.92) feet in height and nine (9) feet above grade level.

The location of said privilege shall be as shown on prints kept on file with the Department of Business Affairs and Consumer Protection and the Office of the City Clerk.

Said privilege shall be constructed in accordance with plans and specifications approved by the Department of Transportation (Division of Project Development) and Zoning Department - Signs.

This grant of privilege in the public way shall be subject to the provisions of Section 10-28-015 and all other required ~~provisions~~ provisions of the Municipal Code of Chicago.

The grantee shall pay to the City of Chicago as compensation for the privilege #1137252 herein granted the sum of one hundred seventy-five (\$175.00) per annum in advance.

A 25% penalty will be added for payments received after due date.

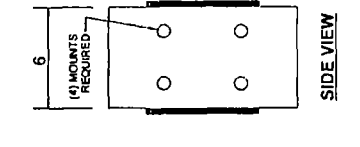
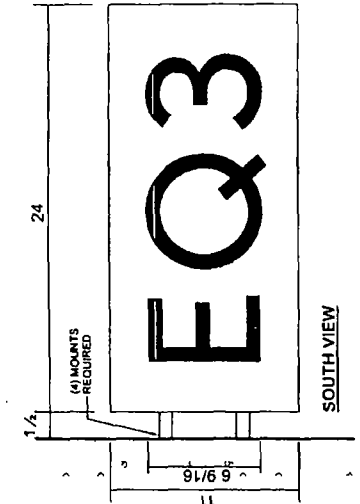
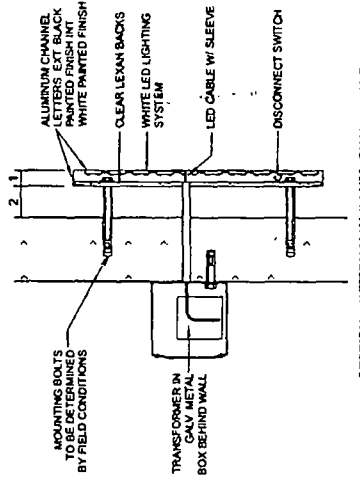
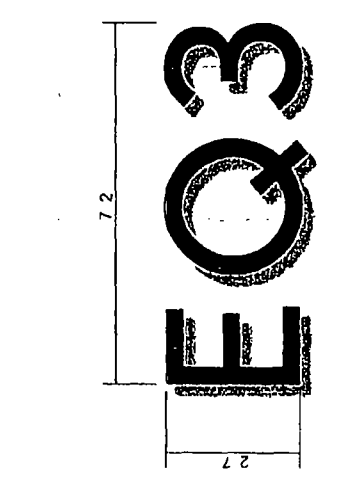
The permit holder agrees to hold the City of Chicago harmless for any damage, relocation or replacement costs associated with damage, relocation or removal of private property caused by the City performing work in the public way.

Authority herein given and granted for a period of five (5) years from and after Date of Passage.

Alderman _____



Brian Hopkins 2nd Ward



REVERSE LED LIT 1" DEEP SIGN LTR DISPLAYS 3/8" = 1'-0"

QTY. (2) REQUIRED

SQUARE FOOTAGE 18.51

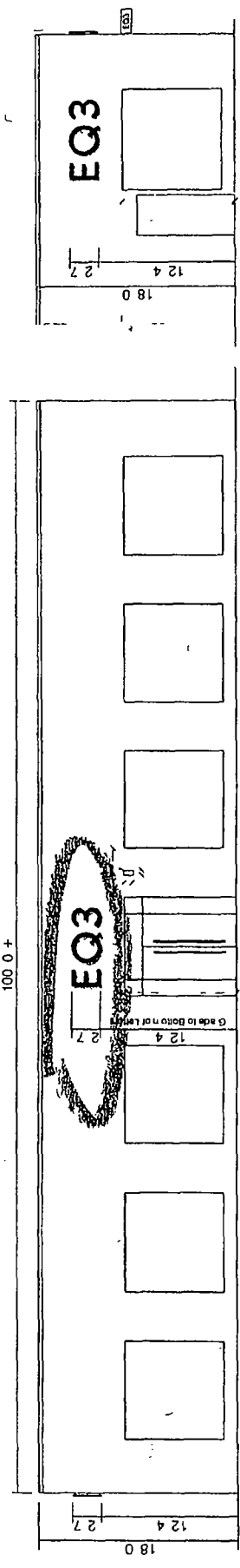
1" DEEP LETTERS TO BE BLACK AND W/ 2" STAND OFFS

LED ILLUM D F PROJECTING SIGN DISPLAY 1 1/2" = 1'-0"

QTY. (1) REQUIRED

SQUARE FOOTAGE 17.83

CABINET TO BE WHITE ACRYLIC COPY 1ST SURFACE APPLIED STANDARD COLOR TRANSLUCENT 3M VINYL



PROPOSED EAST ELEVATION

3/32" = 1'-0"

PROPOSED SOUTH ELEVATION 3/32" = 1'-0"

OLYMPIK GRAPHICS

STENS GRAPHICS

1520 N HALSTED ST CHICAGO IL 60642

client

account representative

ROB W

11 12 18

job# 18 7485

rev # 12.04.18pm

www.olympikgraphics.com

www.stensgraphics.com

THIS IS AN ORIGINAL UNREVISED DRAWING SUBMITTED IN CONNECTION WITH A PROJECT THE DATE PLANNING FOR THIS INFO IS NOT TO BE COVERED. APPROVED FOR THE SIGNING TO ANYONE OUTSIDE OF YOUR ORGANIZATION WITHOUT THE WRITTEN PERMISSION OF OLYMPIK GRAPHICS, INC. ANYWHERE IS EXCLUSIVE PROPERTY OF OLYMPIK GRAPHICS, INC.

EQ3

Customer's Signature _____ Date _____

Comments:

CUSTOMER TO SUPPLY VECTOR ARTWORK PRIOR TO MANUFACTURING

job# 18 7485

11 12 18

rev # 12.04.18pm

page 2 of 2



06/12/2019

Alderman **Brian Hopkins**
Ward # 02
City of Chicago
City Hall, Room 200
121 North LaSalle Street
Chicago, Illinois 60602

Re: An ordinance to use and maintain a portion of the public right-of-way for **two (2) sign(s)** for **EQ3 LTD.**, adjacent to the premises known as **1520 N. Halsted St.**.

Dear Alderman **Brian Hopkins**:

The applicant referenced above has requested the use of the public right-of-way for a **sign(s)**. An ordinance has been prepared by the Department of Business Affairs and Consumer Protection – Small Business Center - Public Way Use Unit for presentation to the City Council. Because this request was made for properties located in your ward, ~~as approved~~ by you as per the attached, I respectfully request that you introduce the attached ordinance at the next City Council meeting.

If you have any questions regarding this ordinance, please contact Anthony Bertuca at (312) 744-5506.

Department of Business Affairs and Consumer Protection