



City of Chicago



O2018-8852

Office of the City Clerk

Document Tracking Sheet

Meeting Date:	10/31/2018
Sponsor(s):	Pawar (47)
Type:	Ordinance
Title:	Grant(s) of privilege in public way for Starbucks Coffee No. 2223
Committee(s) Assignment:	Committee on Transportation and Public Way

ORDINANCE
STARBUCKS COFFEE #2223
Acct. No. 63414 - 34
Permit No. 1136409

Be It Ordained by the City Council of the City of Chicago:

SECTION 1. Permission and authority are hereby given and granted to STARBUCKS COFFEE #2223, upon the terms and subject to the conditions of this ordinance to maintain and use, as now constructed, one (1) Garbage Enclosure(s) on the public right-of-way adjacent to its premises known as 3350 N. Lincoln Ave..

Said Garbage Enclosure(s) at N. LINCOLN measure(s):

One (1) at fifteen (15) feet in length, and six (6) feet in width for a total of ninety (90) square feet.

The location of said privilege shall be as shown on prints kept on file with the Department of Business Affairs and Consumer Protection and the Office of the City Clerk.

Said privilege shall be constructed in accordance with plans and specifications approved by the Department of Transportation (Division of Project Development).


This grant of privilege in the public way shall be subject to the provisions of Section 10-28-015 and all other required provisions of the Municipal Code of Chicago.

The grantee shall pay to the City of Chicago as compensation for the privilege #1136409 herein granted the sum of four hundred (\$400.00) per annum in advance.

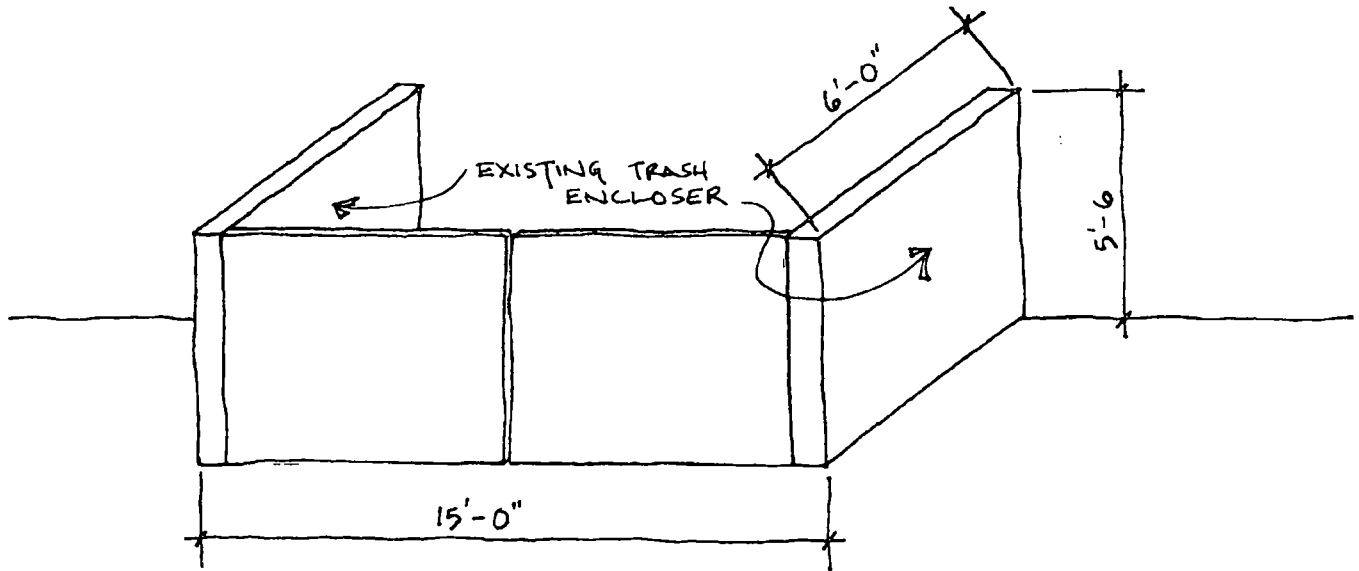
A 25% penalty will be added for payments received after due date.

The permit holder agrees to hold the City of Chicago harmless for any damage, relocation or replacement costs associated with damage, relocation or removal of private property caused by the City performing work in the public way.

Authority herein given and granted for a period of five (5) years from and after 11/05/2018.

Alderman 
Ameya Pawar 47th Ward

EXISTING BUILDING



TRASH ENCLOSURE

NTS

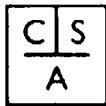
Starbucks Coffee Co

Public way submittal

3350 N LINCOLN AVE

Starbucks Store # 2823

Chicago Site # 34



CONSTRUCTION
SERVICE ASSOCIATES

166 W Washington St Chicago IL 60602

(312) 364 9098

Notes
Public way submittal
for TRASH ENCLOSURE

Date

10/17/18



10/31/2018

Alderman Ameya Pawar
Ward # 47
City of Chicago
City Hall, Room 200
121 North LaSalle Street
Chicago, Illinois 60602

Re: An ordinance to use and maintain a portion of the public right-of-way for **one (1) garbage enclosure(s)** for **STARBUCKS COFFEE #2223**, adjacent to the premises known as **3350 N. Lincoln Ave.**.

Dear Alderman **Ameya Pawar**:

The applicant referenced above has requested the use of the public right-of-way for a **garbage enclosure(s)**. An ordinance has been prepared by the Department of Business Affairs and Consumer Protection – Small Business Center - Public Way Use Unit for presentation to the City Council. Because this request was made for properties located in your ward, as approved by you as per the attached, I respectfully request that you introduce the attached ordinance at the next City Council meeting.

If you have any questions regarding this ordinance, please contact Anthony Bertuca at (312) 744-5506.

Department of Business Affairs and Consumer Protection