



City of Chicago



O2015-3869

Office of the City Clerk

Document Tracking Sheet

Meeting Date:	5/6/2015
Sponsor(s):	Reilly (42)
Type:	Ordinance
Title:	Awning(s) for Maggiano's Banquets On Grand
Committee(s) Assignment:	Committee on Transportation and Public Way

ORDINANCE
MAGGIANO'S BANQUETS ON GRAND
Acct. No. 85312 - 10
Permit No. 1118303

Be It Ordained by the City Council of the City of Chicago:

SECTION 1. Permission and authority are hereby given and granted to MAGGIANO'S BANQUETS ON GRAND, upon the terms and subject to the conditions of this ordinance to maintain and use, as now constructed, four (4) Awning(s) projecting over the public right-of-way adjacent to its premises known as 111 W. Grand Ave..

Said Awning(s) at W. GRAND measure(s):

Four (4) at nine point one seven (9.17) feet in length, and five (5) feet in width for a total of one hundred eighty-three point four (183.4) square feet.

The location of said privilege shall be as shown on prints kept on file with the Department of Business Affairs and Consumer Protection and the Office of the City Clerk.

Said privilege shall be constructed in accordance with plans and specifications approved by the Zoning Department - Signs.

This grant of privilege in the public way shall be subject to the provisions of Section 10-28-015 and all other required provisions of the Municipal Code of Chicago.

The grantee shall pay to the City of Chicago as compensation for the privilege #1118303 herein granted the sum of one hundred seventy-five (\$175.00) per annum in advance.

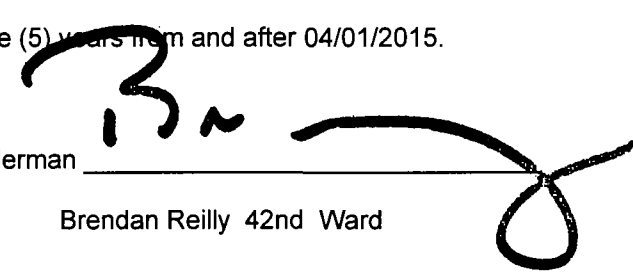
A 25% penalty will be added for payments received after due date.

The permit holder agrees to hold the City of Chicago harmless for any damage, relocation or replacement costs associated with damage, relocation or removal of private property caused by the City performing work in the public way.

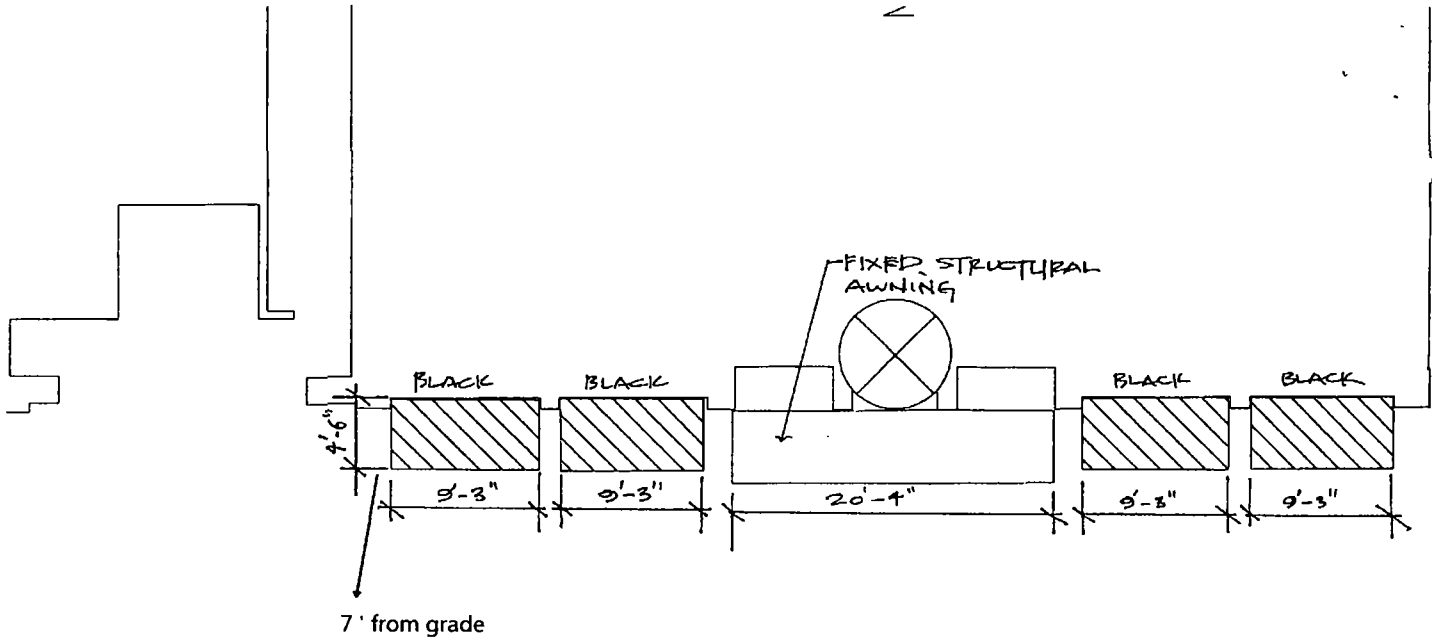
Authority herein given and granted for a period of five (5) years from and after 04/01/2015.

Alderman _____

Brendan Reilly 42nd Ward

A large, stylized handwritten signature in black ink, appearing to read 'B. Reilly', is written over a horizontal line. The signature is fluid and cursive, with a large loop at the end.

Handwritten scribbles and marks, possibly including a signature or initials.



MAGGIANO'S - CLARK & GRAND
BANQUET AWNINGS
02/24/2014