



City of Chicago



O2017-862

Office of the City Clerk

Document Tracking Sheet

Meeting Date:	2/16/2017
Sponsor(s):	Reilly (42)
Type:	Ordinance
Title:	Grant(s) of privilege in public way for Chipotle Mexican Grill
Committee(s) Assignment:	Committee on Transportation and Public Way

ORDINANCE
CHIPOTLE MEXICAN GRILL
Acct. No. 22633 - 8
Permit No. 1125617

Be It Ordained by the City Council of the City of Chicago:

SECTION 1. Permission and authority are hereby given and granted to CHIPOTLE MEXICAN GRILL, upon the terms and subject to the conditions of this ordinance to maintain and use one (1) sign(s) projecting over the public right-of-way attached to its premises known as 316 N. Michigan Ave..

Said sign structure(s) measures as follows; along N Michigan Ave:
One (1) at ten point seven five (10.75) feet in length, one point eight three (1.83) feet in height and nine (9) feet above grade level.

The location of said privilege shall be as shown on prints kept on file with the Department of Business Affairs and Consumer Protection and the Office of the City Clerk.

Said privilege shall be constructed in accordance with plans and specifications approved by the Department of Transportation (Division of Project Development) and Zoning Department - Signs.

This grant of privilege in the public way shall be subject to the provisions of Section 10-28-015 and all other required provisions of the Municipal Code of Chicago.

The grantee shall pay to the City of Chicago as compensation for the privilege #1125617 herein granted the sum of one hundred (\$100.00) per annum in advance.

A 25% penalty will be added for payments received after due date.

The permit holder agrees to hold the City of Chicago harmless for any damage, relocation or replacement costs associated with damage, relocation or removal of private property caused by the City performing work in the public way.

Authority herein given and granted for a period of five (5) years from and after 02/15/2017.

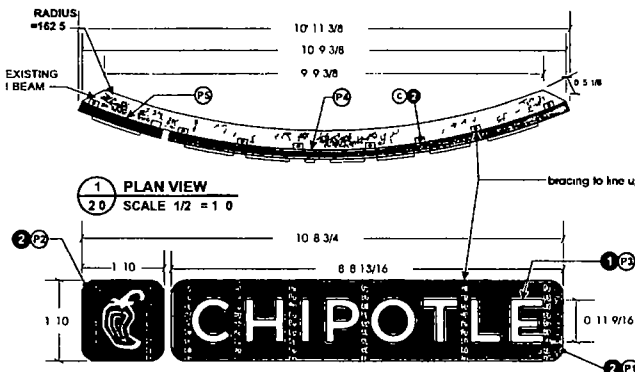
Alderman _____

Brendan Reilly 42nd Ward

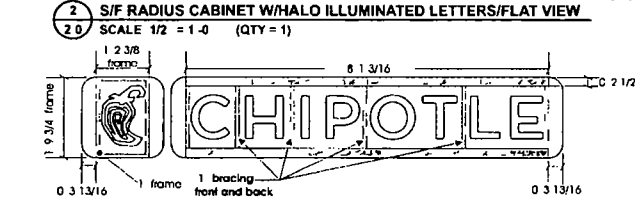
Client Approval	
Approved	<input type="checkbox"/>
Not Approved	<input type="checkbox"/>
Approved As Noted	<input type="checkbox"/>
Revise And Resubmit	<input type="checkbox"/>
Production Mgr Approval	Date
Project Mgr Approval	Date
Account Mgr Approval	Date
Printed By	Date
Checked By	Date

Revision Notes
RADIUS

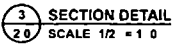
Seq No 1
WO No 1108029
Rev No 0 Date 8.8.12
By M.D.
Sheet No 2.0



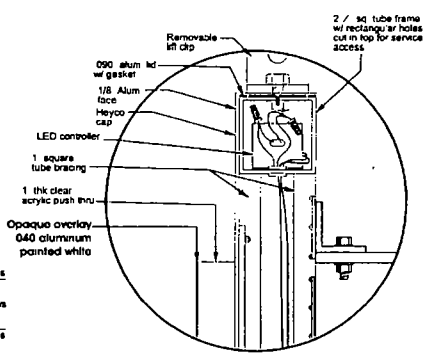
1 PLAN VIEW
2.0 SCALE 1/2 = 1.0



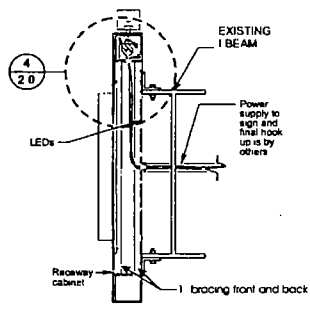
2 S/F RADIUS CABINET W/HALO ILLUMINATED LETTERS/FLAT VIEW
2.0 SCALE 1/2 = 1.0 (QTY = 1)



3 SECTION DETAIL
2.0 SCALE 1/2 = 1.0



4 ENLARGEMENT DETAIL
2.0 SCALE NO SCALE



5 CABINET END SECTION
2.0 NOT TO SCALE

SPECIFICATIONS FOR (1) HALO ILLUMINATED LETTERS

- 1 PUSH THRU GRAPHICS/LETTERS CHIPOTLE & PEPPER LOGO
PUSH THRU GRAPHICS= Router cut 1 thick (3/4 projection) clear acrylic push thru w/ shoulder cuts
Push thru faces have opaque white 040 aluminum overlays
Push thrus mount to faces w/ studs & nuts
- 2 CHIPOTLE & PEPPER LOGO RADIUS RACEWAY CABINETS
FACE= 1/8 Aluminum Attachment to frame via Versalok adhesive
Note: faces overhang ends of frame top
RETURNS= @ ends/corners 1/8 Alum spot weld and Versalok to face
BACK= 040 Alum Rivet or screw to back of frame as req
FRAME= 2 x 1/8 Aluminum sq tube w/ 1 x 2 x 1/8 alum brace
LIFT CLIPS= / Steel plate w/ welded 3/8 nut glued to inside of frame
Attach / steel angle lift clips to top of cab w/ 3/8 bolts
MOUNTING= Mount to existing fascia w/ 3/8 lag bolts through face/ frame (Heyco plugs required in cabinet face)
ACCESS= Flush 090 alum lid & gasket covers top of tube frame cut out
MOUNTING CLIPS= 1 1/2 x 1 1/2 x 1/8 steel angle clips welded to back of face panel Clips set on top of each flange of I Beam clips are bolted to I Beam w/ 5/16 inch bolts Clips are painted MAP to match Silver of existing I Beam structure Sign mounts flush back to I Beam

- ELECTRICAL**
- PRIMARY= 120V electrical to sign and final hook up is by others (leave 6.0 pigtail out back of raceway cabinets)
 - SECONDARY= 12V LED wire leads jumped in raceway 12V LED transformers mounted in top sq tube of raceway
 - POWER DISCONNECT= Toggle switch on end of raceway cabinet as req

- COLOR SPECIFICATIONS**
- P1 PTM PMS #484C Roasted Red (Nuance)
 - P2 PTM PMS #4625C Adobo Brown (Nuance)
 - P3 PTM white
 - P4 PTM PMS #484C Roasted Red (Nuance) BACK OF SIGN
 - P5 PTM PMS #4625C Adobo Brown (Nuance) BACK OF SIGN
- NOTE: Paint all exposed fasteners and Heyco caps to match adjacent finish



01/25/2017

Alderman **Brendan Reilly**
Ward # 42
City of Chicago
City Hall, Room 300
121 North LaSalle Street
Chicago, Illinois 60602

Re: An ordinance to use and maintain a portion of the public right-of-way for **one (1) sign(s)** for
CHIPOTLE MEXICAN GRILL, adjacent to the premises known as **316 N. Michigan Ave.**.

Dear Alderman **Brendan Reilly**:

The applicant referenced above has requested the use of the public right-of-way for a **sign(s)**. An ordinance has been prepared by the Department of Business Affairs and Consumer Protection – Small Business Center - Public Way Use Unit for presentation to the City Council. Because this request was made for properties located in your ward, as approved by you as per the attached, I respectfully request that you introduce the attached ordinance at the next City Council meeting.

If you have any questions regarding this ordinance, please contact Anthony Bertuca at (312) 744-5506.

Department of Business Affairs and Consumer Protection