



# City of Chicago



O2020-578

Office of the City Clerk

## Document Tracking Sheet

<b>Meeting Date:</b>	1/15/2020
<b>Sponsor(s):</b>	Reilly (42)
<b>Type:</b>	Ordinance
<b>Title:</b>	Grant(s) of privilege in public way for 110 North Wacker Development LLC - manhole
<b>Committee(s) Assignment:</b>	Committee on Transportation and Public Way

ORDINANCE  
110 NORTH WACKER DEVELOPMENT, LLC  
Acct. No. 464132 - 1  
Permit No. 1142906

*Be It Ordained by the City Council of the City of Chicago:*

SECTION 1. Permission and authority are hereby given and granted to 110 NORTH WACKER DEVELOPMENT, LLC, upon the terms and subject to the conditions of this ordinance to construct, install, maintain and use one (1) Manhole(s) under the public right-of-way adjacent to its premises known as 110 N. Wacker Dr..

Said Manhole(s) at (LOWER) N. WACKER DR measure(s):

One (1) at five point eight three (5.83) feet in length, and point zero one (.01) feet in width for a total of point zero six (.06) square feet.

The location of said privilege shall be as shown on prints kept on file with the Department of Business Affairs and Consumer Protection and the Office of the City Clerk.

Said privilege shall be constructed in accordance with plans and specifications approved by the Department of Transportation (Office of Underground Coordination) and Department of Water Management.

This grant of privilege in the public way shall be subject to the provisions of Section 10-28-015 and all other required provisions of the Municipal Code of Chicago.

The grantee shall pay to the City of Chicago as compensation for the privilege #1142906 herein granted the sum of four hundred (\$400.00) per annum in advance.

A 25% penalty will be added for payments received after due date.

The permit holder agrees to hold the City of Chicago harmless for any damage, relocation or replacement costs associated with damage, relocation or removal of private property caused by the City performing work in the public way.

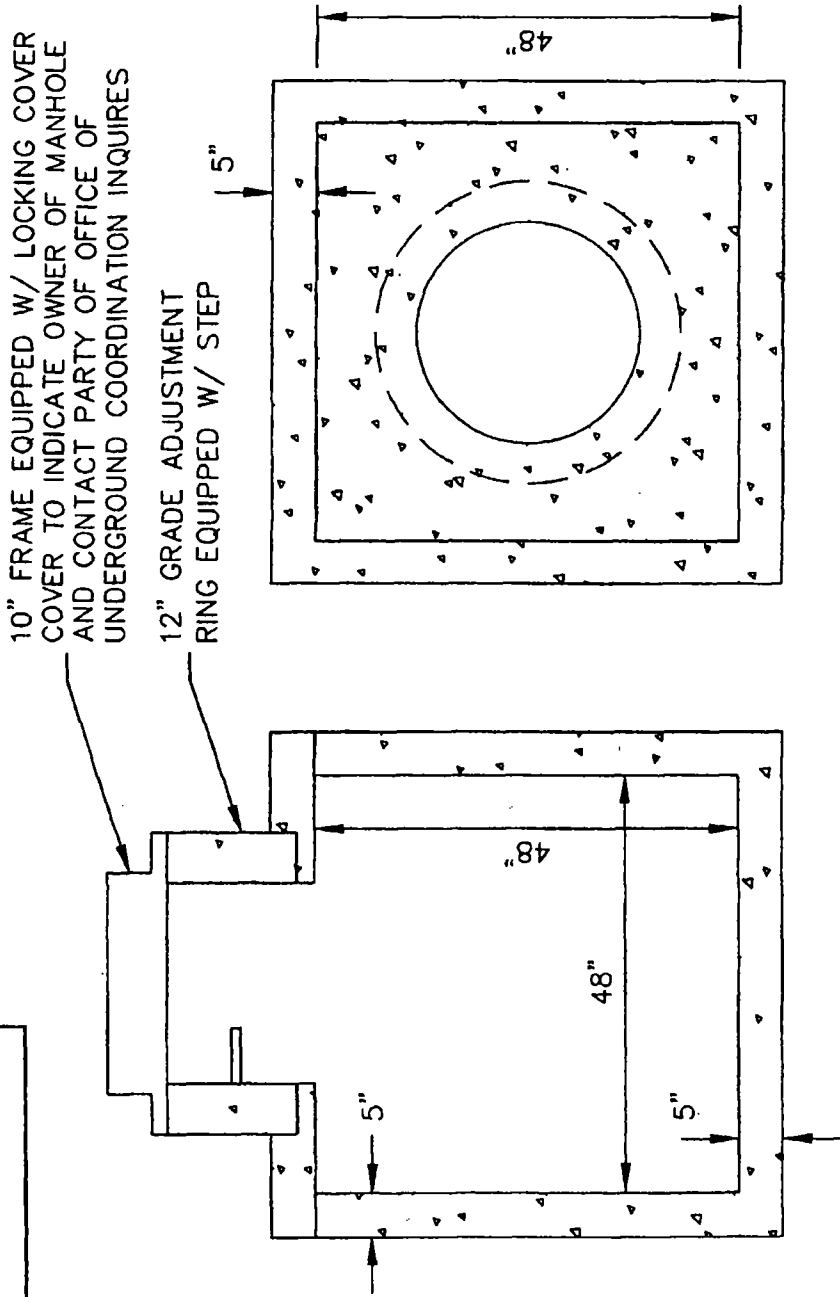
Authority herein given and granted for a period of five (5) years from and after Date of Passage.

Alderman \_\_\_\_\_

  
Brendan Reilly 42nd Ward

**110 N. Wacker**  
**Zero Manhole & Conduit**

10/15/19



MANHOLE, FRAME AND COVER TO MEET AASHTO HS-20 LOADING REQUIREMENTS

COMMUNICATION MANHOLE TO BE INSTALLED COMPLETE W/ RACKING PACKAGE  
AND 5' GALVANIZED STEEL LADDER LADDER IS TO BE EQUIPPED W/ HOOKS TO  
ATTACH LADDER TO STEP W/IN ADJUSTMENT RING

**4'X4' COMMUNICATIONS MANHOLE DETAIL**