



City of Chicago



O2015-7589

Office of the City Clerk

Document Tracking Sheet

Meeting Date:	10/14/2015
Sponsor(s):	Smith (43)
Type:	Ordinance
Title:	Grant(s) of privilege in public way for Franks 'N' Dawgs, Inc.
Committee(s) Assignment:	Committee on Transportation and Public Way

ORDINANCE
FRANKS 'N' DAWGS, INC.
Acct. No. 362088 - 1
Permit No. 1116794

Be It Ordained by the City Council of the City of Chicago:

SECTION 1. Permission and authority are hereby given and granted to FRANKS 'N' DAWGS, INC., upon the terms and subject to the conditions of this ordinance to maintain and use one (1) sign(s) projecting over the public right-of-way attached to its premises known as 1863 N. Clybourn Ave..

Said sign structure(s) measures as follows; along N. Clybourn Avenue:
One (1) at five (5) feet in length, five (5) feet in height and ten (10) feet above grade level.

The location of said privilege shall be as shown on prints kept on file with the Department of Business Affairs and Consumer Protection and the Office of the City Clerk.

Said privilege shall be constructed in accordance with plans and specifications approved by the Department of Transportation (Division of Project Development) and Zoning Department - Signs.

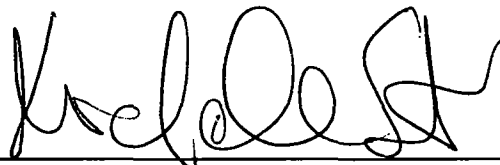
This grant of privilege in the public way shall be subject to the provisions of Section 10-28-015 and all other required provisions of the Municipal Code of Chicago.

The grantee shall pay to the City of Chicago as compensation for the privilege #1116794 herein granted the sum of three hundred (\$300.00) per annum in advance.

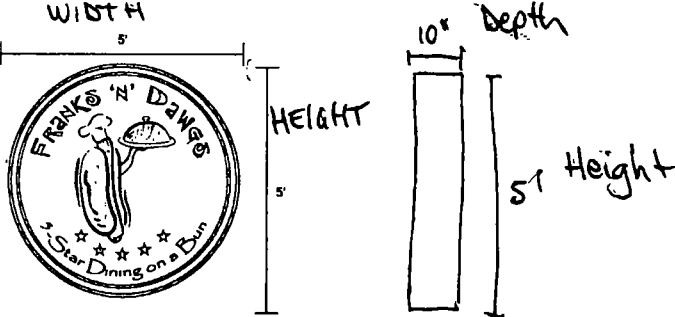
A 25% penalty will be added for payments received after due date.

The permit holder agrees to hold the City of Chicago harmless for any damage, relocation or replacement costs associated with damage, relocation or removal of private property caused by the City performing work in the public way.

Authority herein given and granted for a period of five (5) years from and after Date of Passage.

Alderman 

Michele Smith 43rd Ward



802 Lunt Ave
Schaumburg, IL 60193
(847) 891-3155
www.volkansigns.com

PROJECT:

Franks 'n' Dawgs
1883 N. Clybourn Ave.
Chicago, IL

CUSTOMER APPROVAL:

AUTHORIZED SIGNATURE _____

DATE _____

LANDLORD APPROVAL:

AUTHORIZED SIGNATURE _____

DATE _____

REPRESENTATIVE _____

AUTHORIZED SIGNATURE _____

DRAWN BY _____

DATE _____

SCALE _____

SHEET # 1 of 1

DESIGN ORDER # _____

FILE NAME _____

REVISIONS:

1	
2	
3	
4	
5	
6	

This Document is owned by, and the information contained in it is proprietary to, Volkan Signs & Lighting, Inc. By receipt hereof the holder agrees not to use the information disclosed to any third party nor reproduce this document without the prior written consent of Volkan Signs & Lighting, Inc. Holder also agrees to immediately return document upon request of Volkan Signs & Lighting, Inc.