



City of Chicago



O2017-6473

Office of the City Clerk Document Tracking Sheet

Meeting Date:	9/6/2017
Sponsor(s):	Hopkins (2)
Type:	Ordinance
Title:	Grant(s) of privilege in public way for Jewel Food Store No. 3234
Committee(s) Assignment:	Committee on Transportation and Public Way

ORDINANCE
JEWEL FOOD STORE # 3234
Acct. No. 259 - 62
Permit No. 1128476

Be It Ordained by the City Council of the City of Chicago:

SECTION 1. Permission and authority are hereby given and granted to JEWEL FOOD STORE # 3234, upon the terms and subject to the conditions of this ordinance to maintain and use six (6) sign(s) projecting over the public right-of-way attached to its premises known as 102 W. Division St..

Said sign structure(s) measures as follows; along W. Division Street (Starbucks):
Two (2) at three point five (3.5) feet in length, three point five (3.5) feet in height and fifteen (15) feet above grade level.

Said sign structure(s) measures as follows; along W. Division Street (TCF Bank):
Two (2) at three point five (3.5) feet in length, three (3) feet in height and fifteen (15) feet above grade level.

Said sign structure(s) measures as follows; along W. Division Street (Jewel):
Two (2) at six (6) feet in length, three point eight three (3.83) feet in height and fifteen (15) feet above grade level.

The location of said privilege shall be as shown on prints kept on file with the Department of Business Affairs and Consumer Protection and the Office of the City Clerk.

Said privilege shall be constructed in accordance with plans and specifications approved by the Department of Transportation (Division of Project Development) and Zoning Department - Signs.

This grant of privilege in the public way shall be subject to the provisions of Section 10-28-015 and all other required provisions of the Municipal Code of Chicago.

The grantee shall pay to the City of Chicago as compensation for the privilege #1128476 herein granted the sum of one hundred seventy-five (\$175.00) per annum in advance.

A 25% penalty will be added for payments received after due date.

The permit holder agrees to hold the City of Chicago harmless for any damage, relocation or replacement costs associated with damage, relocation or removal of private property caused by the City performing work in the public way.


Authority herein given and granted for a period of five (5) years from and after Date of Passage.

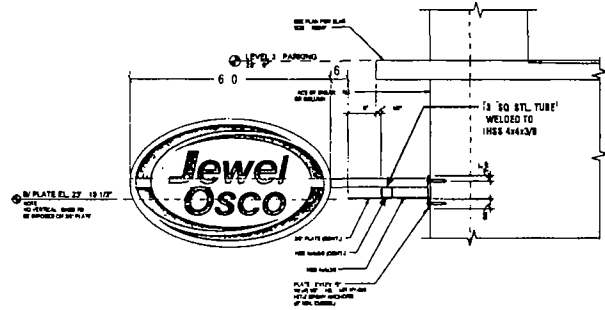
Alderman  _____

Brian Hopkins 2nd Ward

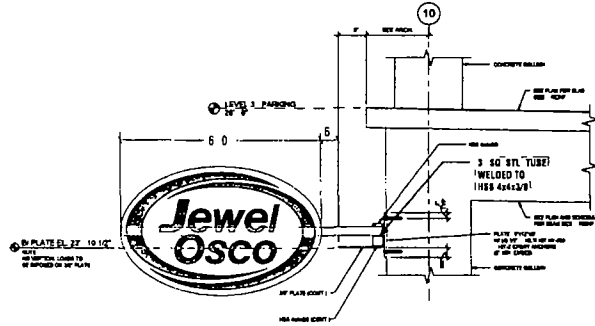
Brian Hopkins 2nd Ward



B TWO(2) DOUBLE FACED INTERNALLY ILLUMINATED PROJECTING DISPLAYS
 SCALE 3/8 = 1
 ALUMINUM SIGN CAB PAINTED WHITE
 ALUMINUM FACES PAINTED WHITE w/ ROUTED OUT COPY
 1/4" THK PUSH THRU ACRYLIC LETTERS w/ FIRST SURFACE VINYL OVERLAY
 INTERNALLY ILLUMINATED BY WHITE LED
 MOUNTED ON 3" SQ STL TUBE
 RED #33



B1 WALL SECTION / MOUNTING DETAIL SOUTH ELEVATION
 SCALE 3/8 = 1



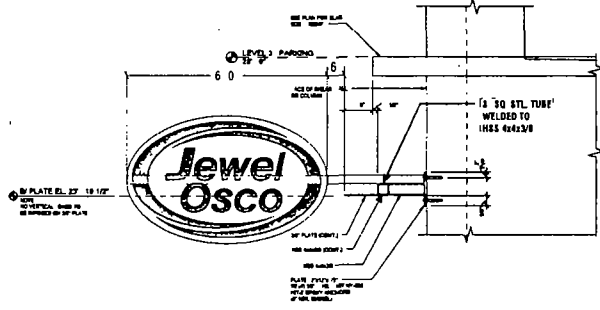
B2 WALL SECTION / MOUNTING DETAIL EAST ELEVATION
 SCALE 3/8 = 1



DATE	REVISION
2.1.17	REVISED FOR 10 COLUMN & 10 ROW SIGN BY DOYLE SIGN CONTRACTORS
2.1.17	DOYLE SIGN CONTRACTORS
2.1.17	REVISED SIGN OF TUBE & ALUMINUM LETTERS TO JEWEL OSCO'S
2.1.17	ADD SIGN BLADE SIGN OPTION
2.1.17	REVISED SIGN TO 10 COLUMN & 10 ROW SIGN BY DOYLE SIGN CONTRACTORS
2.1.17	REVISED SIGN OF TUBE & ALUMINUM LETTERS TO JEWEL OSCO'S
2.1.17	ADD SIGN BLADE SIGN OPTION
2.1.17	REVISED SIGN TO 10 COLUMN & 10 ROW SIGN BY DOYLE SIGN CONTRACTORS
2.1.17	ADD SIGN BLADE SIGN OPTION

CUSTOMER APPROVAL: _____ DATE: _____
 This design is the original and unpublished work of DOYLE SIGN CONTRACTORS, Inc. and may not be reproduced, copied or modified in any fashion without the express written consent of DOYLE SIGN CONTRACTORS, Inc. The rights in this design may be protected.

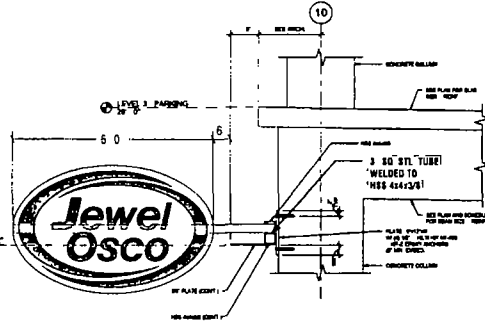
CLIENT	JEWEL
ADDRESS	102 W DIVISION ST
CITY	CHICAGO
STATE	IL
DESIGNER	KJM
BALANCE	PEREOM
TD	2
DWG NO	15787
SCALE	NOTED
DATE	01/31/2017
Wiley-232-PL06/Design/JEWEL/CHICAGO 102 W DIVISION JEWEL CHI 102 W DIVISION 4 11 17.cdr	



B1 WALL SECTION / MOUNTING DETAIL SOUTH ELEVATION
SCALE 3/8" = 1"

B TWO(2) DOUBLE FACED INTERNALLY ILLUMINATED PROJECTING DISPLAYS
SCALE 3/8" = 1"

ALUMINUM SIGN CAB PAINTED WHITE
ALUMINUM FACES PAINTED WHITE W/ ROUTED OUT COPY
3/8" THK PUSH THRU ACRYLIC LETTERS W/ FIRST SURFACE VINYL OVERLAY
INTERNALLY ILLUMINATED BY WHITE L E D
MOUNTED ON 3 SO. STL. TUBE



B2 WALL SECTION / MOUNTING DETAIL EAST ELEVATION
SCALE 3/8" = 1"



DATE	REVISION
8.1.17	REVISED DRAW TO CORRECT MOUNTING DETAIL PLATE TO
8.1.17	ADDED ELEVATIONS
8.1.17	REVISED AND OF FACE ILLUMINATED LETTERS TO JEWEL OSKO
8.1.17	ADDED PLATE MOUNTING DETAIL
8.1.17	REVISED FACE TO BE MOUNTED ON THE LARGE MOUNTING BRACKET
8.1.17	REVISED SIZE OF SIGN MOUNTING PLATE TO
8.1.17	ADDED CHANNEL LETTERS TO THE MOUNTING
8.1.17	ADDED BRACKET MOUNTING DETAIL TO
8.1.17	ADDED BRACKET MOUNTING DETAIL TO

CUSTOMER APPROVAL _____ DATE _____

This design is the original and unaltered work of DOYLE SIGNS INC. and may not be reproduced, copied or published in any fashion without the written consent from the undersigned office of the Designer. The rights to this design may be a design.

CLIENT	JEWEL				
ADDRESS	102 W DIVISION ST				
CITY	CHICAGO	STATE	IL	DEPARTMENT	KM
BRWG NO	15787	SCALE	NOTED	DATE	01.31.2017
				SHEET	NO 2

\\doyle-2025\plm\Design\JEWEL\CHICAGO - 102 W DIVISION\JEWEL - CH - 102 W DIVISION 4 11 17.dwg