



City of Chicago



O2019-1937

Office of the City Clerk

Document Tracking Sheet

Meeting Date:	3/13/2019
Sponsor(s):	Burnett (27)
Type:	Ordinance
Title:	Awning(s) for Publican Quality Meats
Committee(s) Assignment:	Committee on Transportation and Public Way

ORDINANCE
PUBLICAN QUALITY MEATS
Acct. No. 362776 - 1
Permit No 1135281

Be It Ordained by the City Council of the City of Chicago:

SECTION 1. Permission and authority are hereby given and granted to PUBLICAN QUALITY MEATS, upon the terms and subject to the conditions of this ordinance to maintain and use, as now constructed, four (4) Awning(s) projecting over the public right-of-way adjacent to its premises known as 825 W. Fulton Market .

Said Awning(s) at W. Fulton Market measure(s):

One (1) at twenty-two point three three (22.33) feet in length, and four point nine two (4.92) feet in width for a total of one hundred nine point eight six (109.86) square feet.

Said Awning(s) at N. Green measure(s):

Two (2) at sixteen (16) feet in length, and four (4) feet in width for a total of one hundred twenty-eight (128) square feet.

One (1) at six point eight three (6.83) feet in length, and four point nine two (4.92) feet in width for a total of thirty-three point six (33.6) square feet.

The location of said privilege shall be as shown on prints kept on file with the Department of Business Affairs and Consumer Protection and the Office of the City Clerk.

Said privilege shall be constructed in accordance with plans and specifications approved by the Zoning Department - Signs.

This grant of privilege in the public way shall be subject to the provisions of Section 10-28-015 and all other required provisions of the Municipal Code of Chicago.

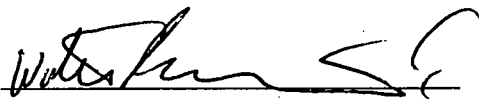
The grantee shall pay to the City of Chicago as compensation for the privilege #1135281 herein granted the sum of one hundred seventy-five (\$175.00) per annum in advance

A 25% penalty will be added for payments received after due date.

The permit holder agrees to hold the City of Chicago harmless for any damage, relocation or replacement costs associated with damage, relocation or removal of private property caused by the City performing work in the public way

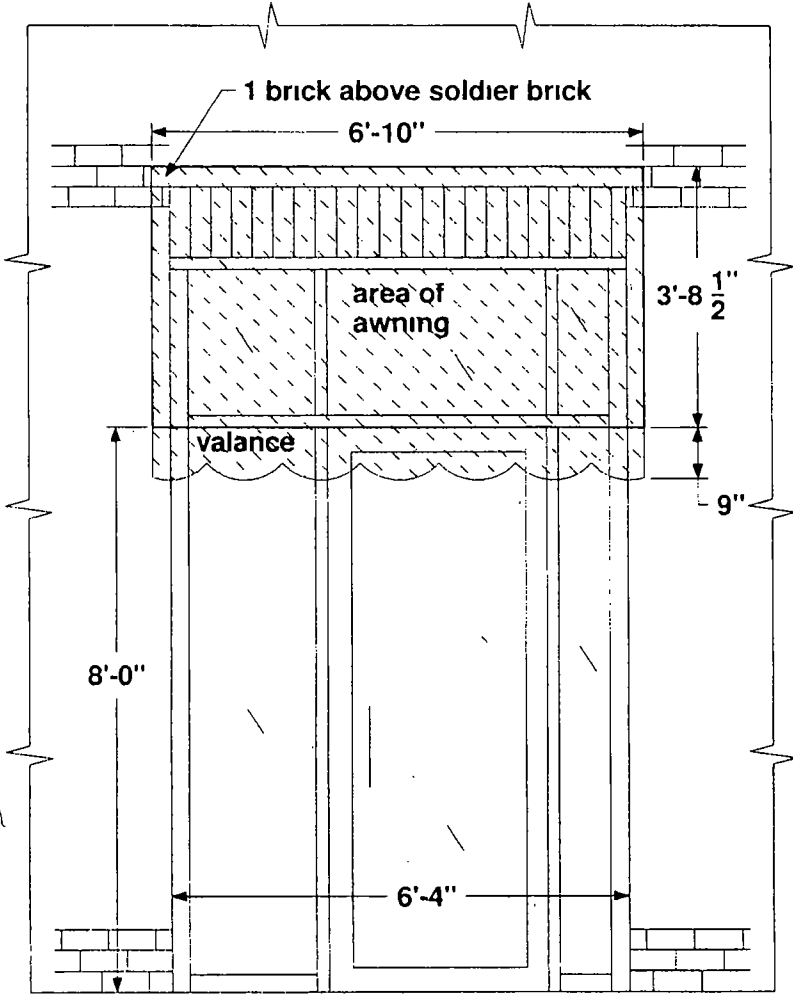
Authority herein given and granted for a period of five (5) years from and after Date of Passage.

Alderman



Walter Burnett Jr. 27th Ward

West elev , area of awning



Side view

JOB#722031
Publican

