



Office of the Chicago City
Clerk



O2011-7652

Office of the City Clerk

City Council Document Tracking Sheet

Meeting Date:	9/8/2011
Sponsor(s):	Reilly, Brendan (42)
Type:	Ordinance
Title:	Grant(s) of Privilege in Public Way for Qdoba Mexican Grill
Committee(s) Assignment:	Committee on Transportation and Public Way

ORDINANCE
QDOBA MEXICAN GRILL
Acct. No. 269555 - 13
Permit No. 1097494

Be It Ordained by the City Council of the City of Chicago:

SECTION 1. Permission and authority are hereby given and granted to QDOBA MEXICAN GRILL, upon the terms and subject to the conditions of this ordinance to maintain and use three (3) sign(s) projecting over the public right-of-way attached to its premises known as 227 E. Ontario St..

Said sign structure(s) measures as follows; along E. Ontario Street:

One (1) at twenty-one (21) feet in length, two point seven five (2.75) feet in height and twelve (12) feet above grade level.

One (1) at three (3) feet in length, one (1) foot in height and nine (9) feet above grade level.

One (1) at three (3) feet in length, one (1) foot in height and nine (9) feet above grade level.

The location of said privilege shall be as shown on prints kept on file with the Department of Business Affairs and Consumer Protection and the Office of the City Clerk.

Said privilege shall be constructed in accordance with plans and specifications approved by the Department of Transportation (Division of Project Development) and Zoning Department - Signs.

This grant of privilege in the public way shall be subject to the provisions of Section 10-28-015 and all other required provisions of the Municipal Code of Chicago.

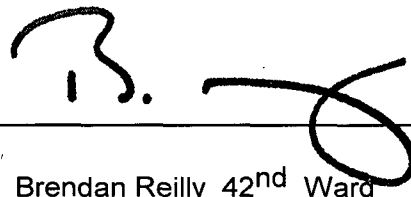
The grantee shall pay to the City of Chicago as compensation for the privilege #1097494 herein granted the sum of four hundred seventy-five (\$475.00) per annum in advance.

A 25% penalty will be added for payments received after due date.

The permit holder agrees to hold the City of Chicago harmless for any damage, relocation or replacement costs associated with damage, relocation or removal of private property caused by the City performing work in the public way.

Authority herein given and granted for a period of five (5) years from and after Date of Passage.

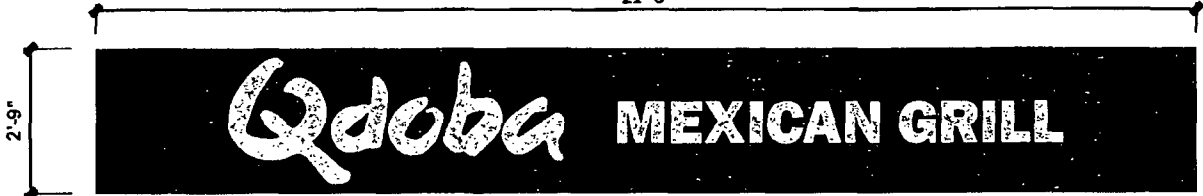
Alderman _____



Brendan Reilly, 42nd Ward



21'-0"



Day View



Night View

Led internally illuminated channel letters: day/night option

1" Milk White Plexiglas with second (2nd) surface applied
Translucent 230-143 Poppy Red and first (1st) surface applied
PMS 468 #230-149 light beige - Push Through copy

Internally illuminated with Gelcore LED's red/orange

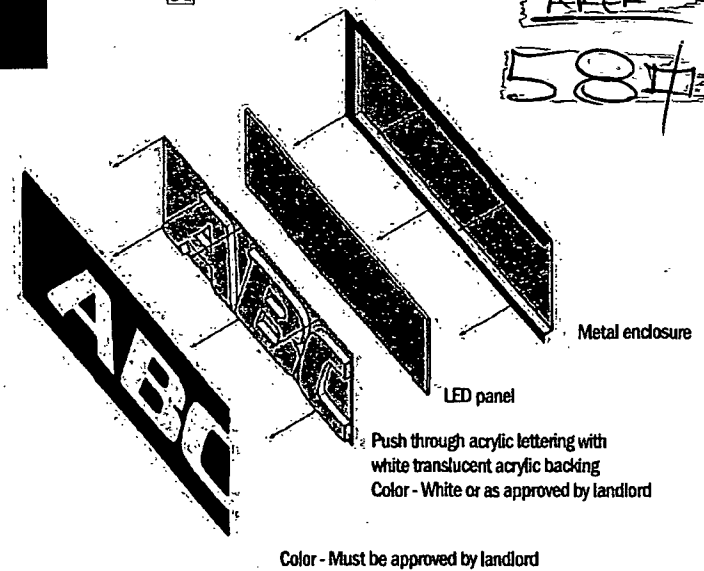
.063 aluminum backs .040 pre-finished black returns

VINYL/PMS COLORS

■ PMS 1788C 3M 230-143 POPPY RED (SECOND SURFACE)

■ PMS 468 3M #230-149 LIGHT BEIGE (FIRST SURFACE)

AREA
587



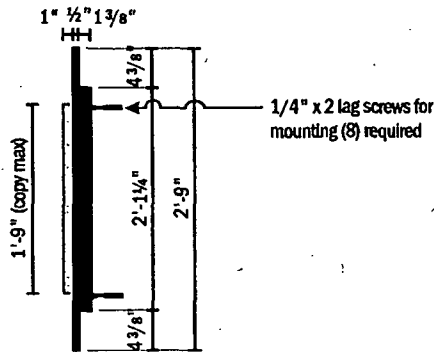
Metal enclosure

LED panel

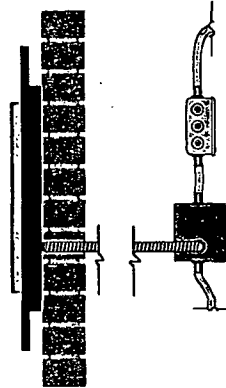
Push through acrylic lettering with white translucent acrylic backing
Color - White or as approved by landlord

Color - Must be approved by landlord

S/F Building Display Elevation Scale: 3/8" = 1'-0"



1/4" x 2 lag screws for mounting (8) required



Junction box w/
___ amp/120 volt
Primary electric circuit
(provided by GC)

Junction box
(provided by GC)

12 gauge secondary
wiring in sleeving

LED
Power supply

Section Thru Cabinet Electrical Detail Expanded Layer Detail



Design No.: 11-0041r6	Contact Information:	Final electrical connection note:	The information contained in this Document and the Design work are the sole Property of National Awning & Sign, LLC and may not be copied distributed or made available to others without expressed written consent of National Awning & Sign, LLC.	Final Approvals:
Date: July 07, 2011	Salesman: Todd Hefner	Customer is responsible for retaining a licensed electrician to complete final connection.		Customer:
Sheet: 2 of 3	Designer: Trent Schultz	Printing Note: Illustration to be printed on 8 1/2"x 14" Legal paper.		Salesman:
Location: 277 E. Ontario	Phone: P817.625.4323 F817.625.2123			Project Manager:
City/State: Chicago IL	www.awningandsign.com			