



# City of Chicago



O2018-7428

Office of the City Clerk

## Document Tracking Sheet

<b>Meeting Date:</b>	9/20/2018
<b>Sponsor(s):</b>	Hopkins (2)
<b>Type:</b>	Ordinance
<b>Title:</b>	Grant(s) of privilege in public way for Smoke Depot
<b>Committee(s) Assignment:</b>	Committee on Transportation and Public Way

ORDINANCE  
SMOKE DEPOT  
Acct. No. 427659 - 1  
Permit No. 1135185

*Be It Ordained by the City Council of the City of Chicago:*

SECTION 1. Permission and authority are hereby given and granted to SMOKE DEPOT, upon the terms and subject to the conditions of this ordinance to maintain and use one (1) sign(s) projecting over the public right-of-way attached to its premises known as 1646 N. Milwaukee Ave..

Said sign structure(s) measures as follows; along N. Milwaukee:

One (1) at thirteen point seven five (13.75) feet in length, two point nine two (2.92) feet in height and nine point five (9.5) feet above grade level.

The location of said privilege shall be as shown on prints kept on file with the Department of Business Affairs and Consumer Protection and the Office of the City Clerk.

Said privilege shall be constructed in accordance with plans and specifications approved by the Department of Transportation (Division of Project Development) and Zoning Department - Signs.

This grant of privilege in the public way shall be subject to the provisions of Section 10-28-015 and all other required provisions of the Municipal Code of Chicago.

The grantee shall pay to the City of Chicago as compensation for the privilege #1135185 herein granted the sum of three hundred (\$300.00) per annum in advance.

A 25% penalty will be added for payments received after due date.

The permit holder agrees to hold the City of Chicago harmless for any damage, relocation or replacement costs associated with damage, relocation or removal of private property caused by the City performing work in the public way.

Authority herein given and granted for a period of five (5) years from and after Date of Passage.

Alderman  \_\_\_\_\_

Brian Hopkins 2<sup>nd</sup> Ward

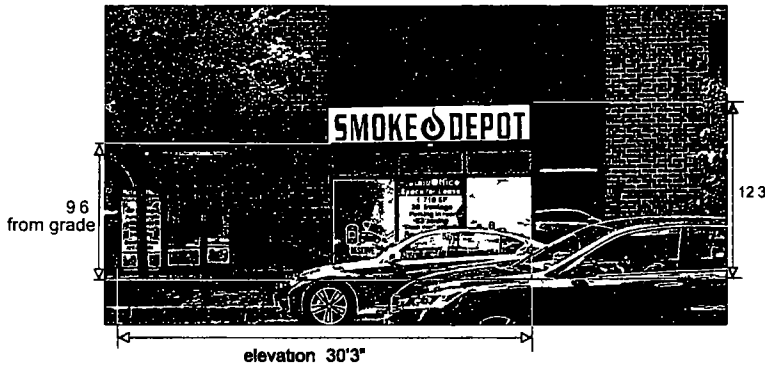


**job address**

1646 N Milwaukee  
Chicago Il 60647

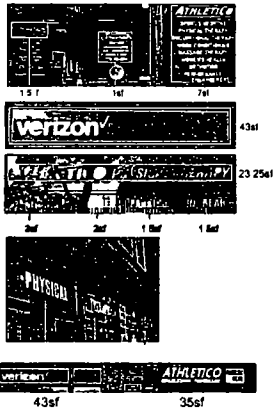
**contact info**

Nino Hermes  
773-593-9797

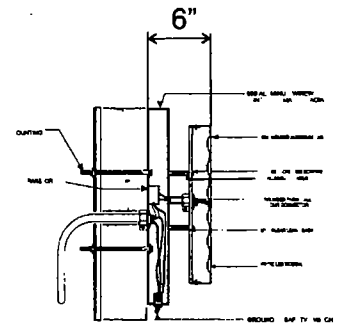


sign weight 125 lbs  
sign area 40sf  
number of power supply 1  
number of lamps 12  
type of lamp LED Module  
Total Wattage 60  
Volts 120 V  
Amps 1.3A  
Circuits 1

**signage on lot**



**Total Depth Over Public Way**



Typical U.L. Channel Letter Set Mounted on Wireway  
Not to scale

All elevations and concepts depicted here are confidential and are the property of Only Signs Inc. They are not to be distributed, copied or used in any way without our written permission. Copyright © Only Signs Inc. Geneva Il 60134

**WE WILL NOT BEGIN ANY WORK UNTIL THIS SHEET IS SIGNED & RETURNED Thank you**

Signature \_\_\_\_\_

Date \_\_\_\_\_



**09/20/2018**

**Alderman Brian Hopkins**  
Ward # **02**  
City of Chicago  
City Hall, Room **200**  
121 North LaSalle Street  
Chicago, Illinois 60602

Re: An ordinance to use and maintain a portion of the public right-of-way for **one (1) sign(s)** for **SMOKE DEPOT**, adjacent to the premises known as **1646 N. Milwaukee Ave.**.

Dear Alderman **Brian Hopkins**:

The applicant referenced above has requested the use of the public right-of-way for a **sign(s)**. An ordinance has been prepared by the Department of Business Affairs and Consumer Protection – Small Business Center - Public Way Use Unit for presentation to the City Council. Because this request was made for properties located in your ward, as approved by you as per the attached, I respectfully request that you introduce the attached ordinance at the next City Council meeting.

If you have any questions regarding this ordinance, please contact Anthony Bertuca at (312) 744-5506.

**Department of Business Affairs and Consumer Protection**