



# City of Chicago



O2014-1206

Office of the City Clerk

## Document Tracking Sheet

<b>Meeting Date:</b>	2/5/2014
<b>Sponsor(s):</b>	Tunney (44)
<b>Type:</b>	Ordinance
<b>Title:</b>	Awning(s) for Golftec Halsted Row
<b>Committee(s) Assignment:</b>	Committee on Transportation and Public Way

ORDINANCE  
GOLFTEC HALSTED ROW  
Acct. No. 288203 - 2  
Permit No. 1109823

*Be It Ordained by the City Council of the City of Chicago:*

SECTION 1. Permission and authority are hereby given and granted to GOLFTEC HALSTED ROW, upon the terms and subject to the conditions of this ordinance to construct, install, maintain and use four (4) Awning(s) projecting over the public right-of-way adjacent to its premises known as 2847 N. Halsted St..

Said Awning(s) at N HALSTED ST measure(s):

Two (2) at sixteen point one seven (16.17) feet in length, and two (2) feet in width for a total of sixty-four point six eight (64.68) square feet.

One (1) at twenty-three point nine two (23.92) feet in length, and two (2) feet in width for a total of forty-seven point eight four (47.84) square feet.

One (1) at six (6) feet in length, and two (2) feet in width for a total of twelve (12) square feet.

The location of said privilege shall be as shown on prints kept on file with the Department of Business Affairs and Consumer Protection and the Office of the City Clerk.

Said privilege shall be constructed in accordance with plans and specifications approved by the Zoning Department - Signs.

This grant of privilege in the public way shall be subject to the provisions of Section 10-28-015 and all other required provisions of the Municipal Code of Chicago.

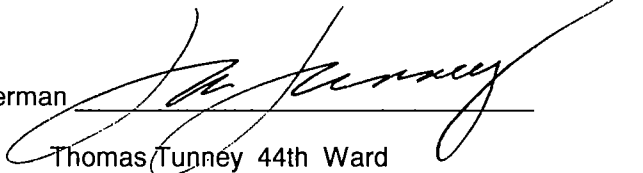
The grantee shall pay to the City of Chicago as compensation for the privilege #1109823 herein granted the sum of one hundred seventy-five (\$175.00) per annum in advance.

A 25% penalty will be added for payments received after due date.

The permit holder agrees to hold the City of Chicago harmless for any damage, relocation or replacement costs associated with damage, relocation or removal of private property caused by the City performing work in the public way.

Authority herein given and granted for a period of five (5) years from and after Date of Passage.

Alderman

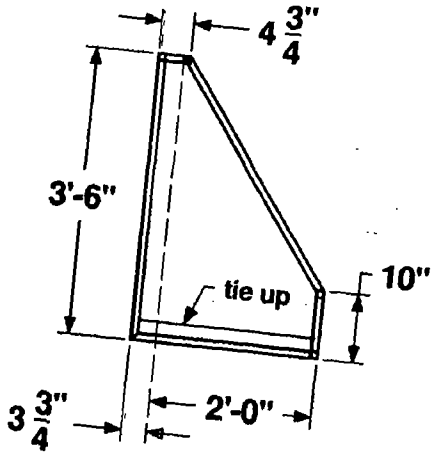


Thomas Tunney 44th Ward

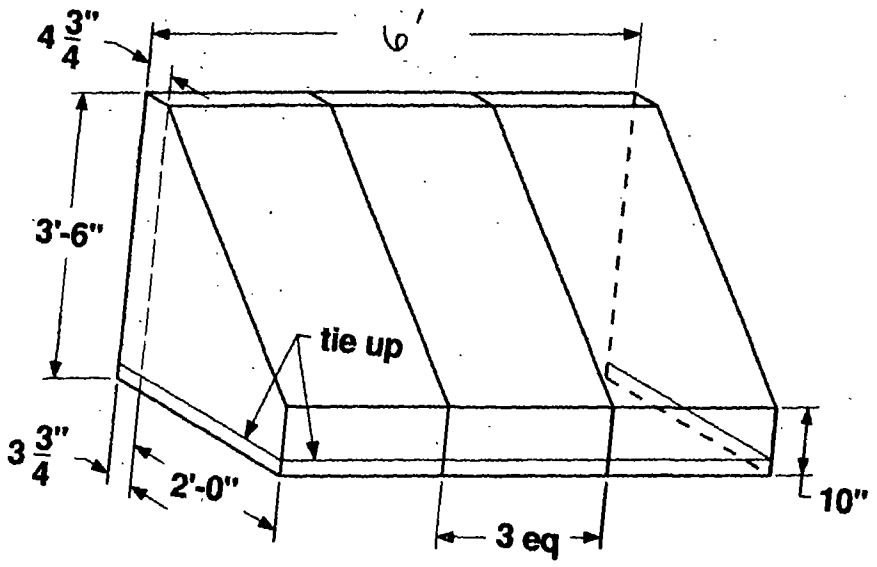
- Notes:**
- galv stl frames (4)
  - welded, silver frame finish
  - tie bar up

**JOB # 723924**  
**Golftec**

**Side View, W103, W104**



**Iso View, W104**





**02/05/2014**

**Alderman Thomas Tunney**  
**Ward # 44**  
City of Chicago  
City Hall, Room 203  
121 North LaSalle Street  
Chicago, Illinois 60602

Re: An ordinance to use and maintain a portion of the public right-of-way for **four (4) awning(s)** for **GOLFTEC HALSTED ROW**, adjacent to the premises known as **2847 N. Halsted St.**.

Dear Alderman **Thomas Tunney**:

The applicant referenced above has requested the use of the public right-of-way for a **awning(s)**. An ordinance has been prepared by the Department of Business Affairs and Consumer Protection – Small Business Center - Public Way Use Unit for presentation to the City Council. Because this request was made for properties located in your ward, as approved by you as per the attached, I respectfully request that you introduce the attached ordinance at the next City Council meeting.

If you have any questions regarding this ordinance, please contact Anthony Bertuca at (312) 744-5506.

**Department of Business Affairs and Consumer Protection**