



City of Chicago



O2019-6713

Office of the City Clerk

Document Tracking Sheet

Meeting Date:	9/9/2019
Sponsor(s):	Reilly (42)
Type:	Ordinance
Title:	Grant(s) of privilege in public way for Garrett Popcorn Shops
Committee(s) Assignment:	Committee on Transportation and Public Way

Direct Intro
#42

ORDINANCE
GARRETT POPCORN SHOPS
Acct. No. 291471 - 18
Permit No. 1141864

Be It Ordained by the City Council of the City of Chicago:

SECTION 1. Permission and authority are hereby given and granted to GARRETT POPCORN SHOPS, upon the terms and subject to the conditions of this ordinance to maintain and use one (1) sign(s) projecting over the public right-of-way attached to its premises known as 625 N. Michigan Ave..

Said sign structure(s) measures as follows; along N MICHIGAN AVE:
One (1) at seven (7) feet in length, three (3) feet in height and ten (10) feet above grade level.

The location of said privilege shall be as shown on prints kept on file with the Department of Business Affairs and Consumer Protection and the Office of the City Clerk.

Said privilege shall be constructed in accordance with plans and specifications approved by the Department of Transportation (Division of Project Development) and Zoning Department - Signs.

This grant of privilege in the public way shall be subject to the provisions of Section 10-28-015 and all other required provisions of the Municipal Code of Chicago.

The grantee shall pay to the City of Chicago as compensation for the privilege #1141864 herein granted the sum of one hundred (\$100.00) per annum in advance.

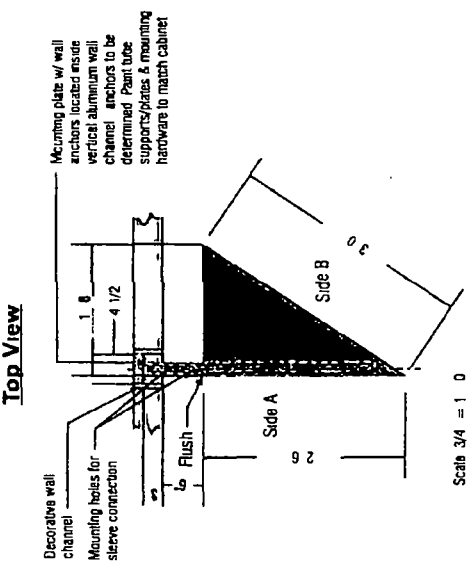
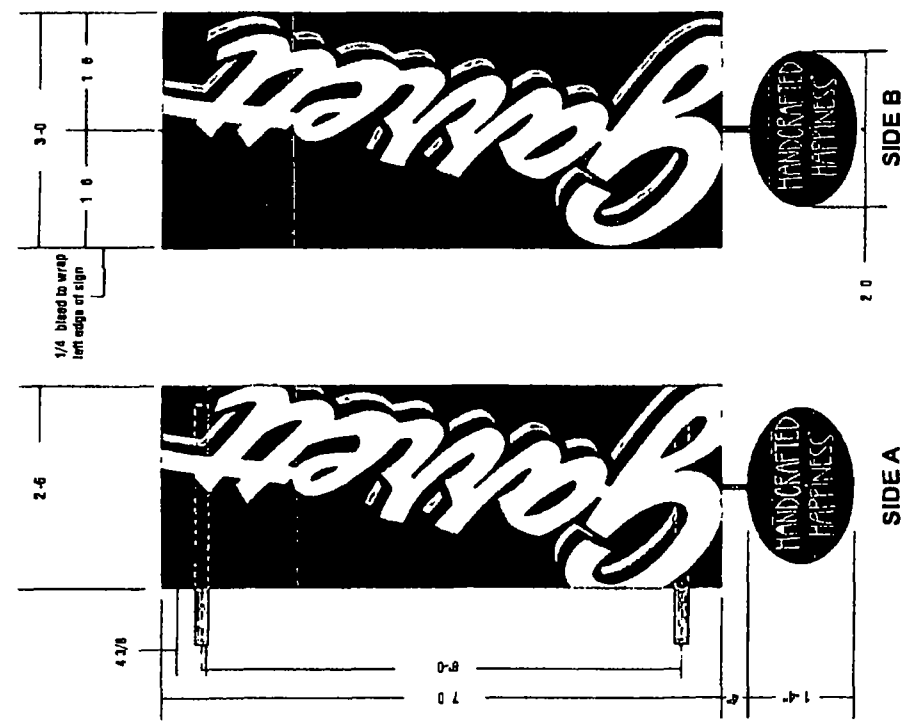
A 25% penalty will be added for payments received after due date.

The permit holder agrees to hold the City of Chicago harmless for any damage, relocation or replacement costs associated with damage, relocation or removal of private property caused by the City performing work in the public way.

Authority herein given and granted for a period of five (5) years from and after 05/13/2019.

Alderman _____

Brendan Reilly 42nd Ward



Non-Illuminated Blade Sign
Scale 1' = 16"

- Use existing wall mounting
- 125 Flat Aluminum
- Painted respective blue with opaque vinyl graphics
- Applied to first surface
- Attachment to mounting frame TBD

Colors to Match

	Std white
	Vinyl to match MP #313 Dark Bronze
	Paint to match PMS 540 C

934 N. Chicago
Evanston, IL 60120

SOUTH WATER

Garret Papporn
1 3 14 10 44
1 3 14 10 44

7006539

AVG-Blade Sign
Michigan & Chicago, Cal ago IL

THIS DRAWING IS THE PROPERTY
OF SOUTH WATER SIGNS, LLC
ALL RIGHTS OF REPRODUCTION
ARE RESERVED BY
SOUTH WATER SIGNS, INC.



Department of Business Affairs and Consumer Protection
Small Business Center - Public Way Use Unit
City Hall - 121 N. LaSalle Street, Room 800 • Chicago, IL 60602
312-74-GOBIZ / 312-744-6249 • (312) 744-1944 (TTY)
<http://www.cityofchicago.org/bacp>

07/24/2019

Alderman Brendan Reilly
Ward # 42
City of Chicago
City Hall, Room 300
121 North LaSalle Street
Chicago, Illinois 60602

Re: An ordinance to use and maintain a portion of the public right-of-way for **one (1) sign(s)** for
GARRETT POPCORN SHOPS, adjacent to the premises known as **625 N. Michigan Ave.**.

Dear Alderman **Brendan Reilly**:

The applicant referenced above has requested the use of the public right-of-way for a **sign(s)**. An ordinance has been prepared by the Department of Business Affairs and Consumer Protection – Small Business Center - Public Way Use Unit for presentation to the City Council. Because this request was made for properties located in your ward, as approved by you as per the attached, I respectfully request that you introduce the attached ordinance at the next City Council meeting.

If you have any questions regarding this ordinance, please contact Anthony Bertuca at (312) 744-5506.

Department of Business Affairs and Consumer Protection