



City of Chicago



Or2017-70

Office of the City Clerk

Document Tracking Sheet

Meeting Date:	2/22/2017
Sponsor(s):	Reilly (42)
Type:	Order
Title:	Issuance of permits for sign(s)/signboard(s) at 112 S State St
Committee(s) Assignment:	Committee on Zoning, Landmarks and Building Standards

CITY COUNCIL
COMMITTEE ON ZONING, LANDMARKS AND BUILDING STANDARDS

COUNCIL ORDER

RE: Approval of sign over 100 square feet in area or over 24 feet above grade

ORDERED, that the City Council hereby approves the following sign application submitted by:

Applicant*: CHAMPS SPORTS

(* The Applicant is the owner of the real property or the business tenant of the real property. Do not list the sign contractor, sign erector, sign company or advertising entity in the above space.)

This Order approves the following sign in accordance with Municipal Code of Chicago Section 13-20-680:

Address of Sign: 112 S. STATE ST. Chicago, IL 60603

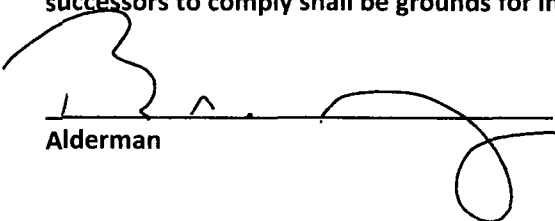
Zoning District: DX-16

DOB Sign Permit Application #: 100691197

Sign Details:

1. On-premise OR Off-premise
2. Static sign OR Dynamic-image display sign
3. Number of sign faces 1
4. Projecting over the public way Yes (Yes or No) If yes, Public Way Use #: 1126022
5. Dimensions: Length 18 feet 0 inches Height 6 feet 6 inches
Total square feet in area: 117 feet 0 inches
6. Height above grade: 14 feet 0 inches
7. Elevation (side of building or lot where the sign will be erected): EAST
8. Name of Sign Contractor/Erector: IDENTITY SERVICES, LLC

To be legal, such sign shall comply with all provisions of Title 17 of the Chicago Municipal Code ("Zoning Ordinance") and all other provisions of the Municipal Code governing the permitting, construction and maintenance and removal of signs and sign structures. Failure of the applicant and the applicant's successors to comply shall be grounds for invalidation or revocation of the sign permit.


Alderman

42
Ward

Contact: 1900 Ocean Avenue Ronkonkoma, NY 11779 P631.737.3140 F631.737.4865

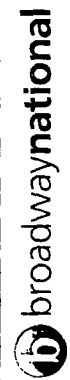
Sign Type: *****

Description: RENDERING (DAY)

Quantity: *

3

2 RENDERING (DAY)
SCALE: NTS



Job Name: CHAMPS
Address: 110 SOUTH STATE STREET
CHICAGO, IL 60603

Date: 06.14.16
Job Number: 17853
Project Manager: JP

Scale: See Drawing
Drawn By: KK
Revised: 02.03.17 # 15.02

Approved
 Approved with Corrections
 Rejected
 Revise and Resubmit

Signature _____ Date _____

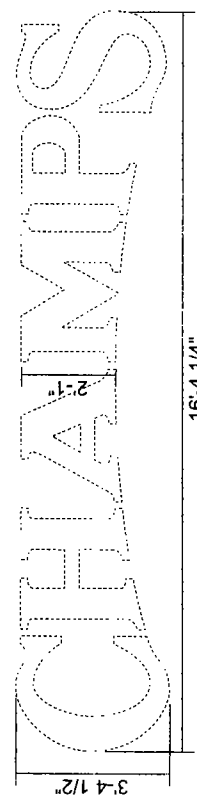
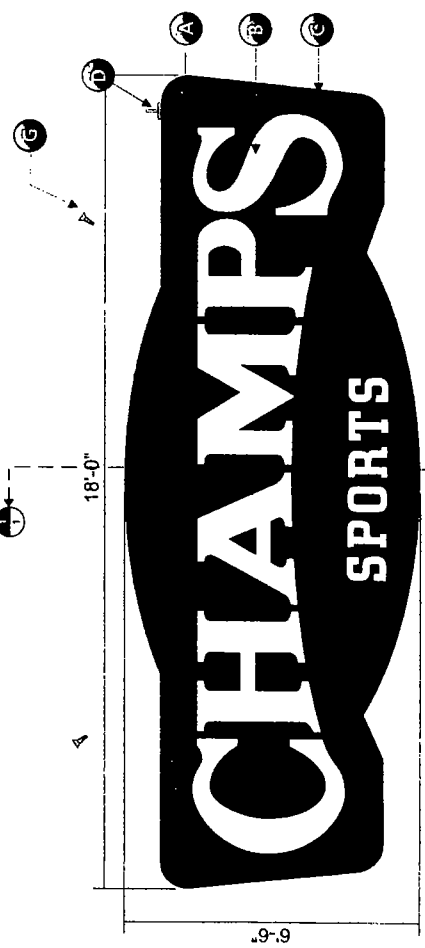
Contact 1900 Ocean Avenue Ronkonkoma, NY 11779 P631 737.3140 F631.737.4865

Sign Type: WALL CABINET

Description: LED HALO ILLUMINATED

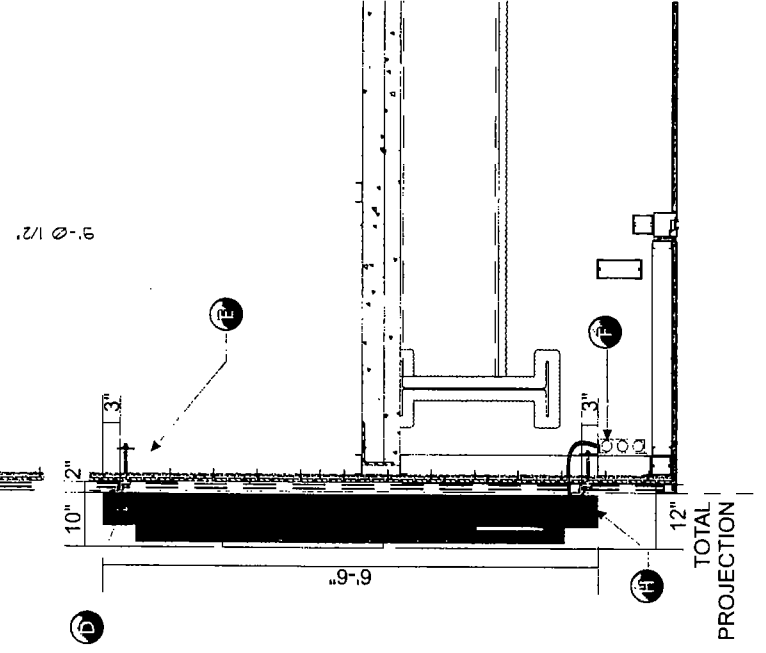
Quantity: (1) | 10

A SINGLE FACE WALL SIGN
Scale: 3/8" = 1'-0"



1 TOP VIEW
NTS
3"

2 SIDE VIEW
Scale: NTS



COLOR KEY

- PMS 2747C SATIN** (Black circle)
- PMS 187C SATIN** (Dark grey circle)
- 2447 WHITE ACRYLIC** (White circle)

NOTES:
ELECTRICAL WIRING FROM SIGN WILL NEED TO BE WIRED INTO THE PRIMARY ELECTRICAL SOURCE. DEDICATED 120V AC CIRCUIT REQUIRED AND TO BE PROVIDED BY OTHERS PRIOR TO SIGN INSTALLATION

NOTES:
ALL ELECTRICAL PARTS & ASSEMBLIES UL LISTED. UL LABELS TO BE LOCATED AT DISCONNECT SWITCH

- 1** 1/8" Aluminum Routed & Compound Radius Face with Stencil Cut Copy, Painted to Match PMS 2747C
- 2** 3/4" 2447 White Acrylic Push Thru Letters with 1/4" Flange ("CHAMPS" & "SPORTS") Secured with Stud and Nut (Radius Face)
- 3** Red Accent Lines on Face Painted to Match Red PMS 187C
- 4** Disconnect Switch/UL Labels
- 5** 1/4"-20 Thru-bolts with fender washers, lock washers, nuts & threaded rod, 2" x 1 1/2" x 1/8" angle aluminum PTM White
- 6** 120 V. Fed By Others
- 7** Removable access panel with Magnetic attachment (2)counter sunk safety screws painted to match PMS 2747C
- 8** 1/4" Weep Hole w/ Light Baffle

Scale: See Drawing
Drawn By: KK
Revised: 02.03.17 # 15.02

Job Name: CHAMPS
Address: 110 SOUTH STATE STREET
CHICAGO, IL 60603

b **broadwaynational**

Date: 06.14.16
Job Number: 17853
Project Manager: JP

Signature: _____
 Approved
 Approved with Corrections
 Rejected
 Reuse and Resubmit
 Date: _____