



City of Chicago



O2015-5123

Office of the City Clerk

Document Tracking Sheet

Meeting Date:	6/17/2015
Sponsor(s):	Osterman (48)
Type:	Ordinance
Title:	Grant(s) of privilege in public way for James R. Markey
Committee(s) Assignment:	Committee on Transportation and Public Way

ORDINANCE
JAMES R. MARKEY
Acct. No. 353741 - 1
Permit No. 1118666

Be It Ordained by the City Council of the City of Chicago:

SECTION 1. Permission and authority are hereby given and granted to JAMES R. MARKEY, upon the terms and subject to the conditions of this ordinance to maintain and use, as now constructed, two (2) Planter(s) on the public right-of-way for beautification purposes adjacent to its premises known as 950 W. Berwyn Ave..

Said Planter(s) at W. Berwyn Avenue measure(s):

Two (2) at ten (10) feet in length, and three point five (3.5) feet in width for a total of seventy (70) square feet.

Grantee must allow the required clear and unobstructed space for pedestrian passage at all times per rules and regulations approved by the Department of Transportation.

The location of said privilege shall be as shown on prints kept on file with the Department of Business Affairs and Consumer Protection and the Office of the City Clerk.

Said privilege shall be constructed in accordance with plans and specifications approved by the Department of Planning and Development and Department of Transportation (Division of Project Development).

This grant of privilege in the public way shall be subject to the provisions of Section 10-28-015 and all other required provisions of the Municipal Code of Chicago.

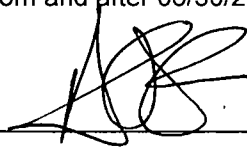
The grantee shall pay to the City of Chicago as compensation for the privilege #1118666 herein granted the sum of zero (\$.00) per annum in advance.

A 25% penalty will be added for payments received after due date.

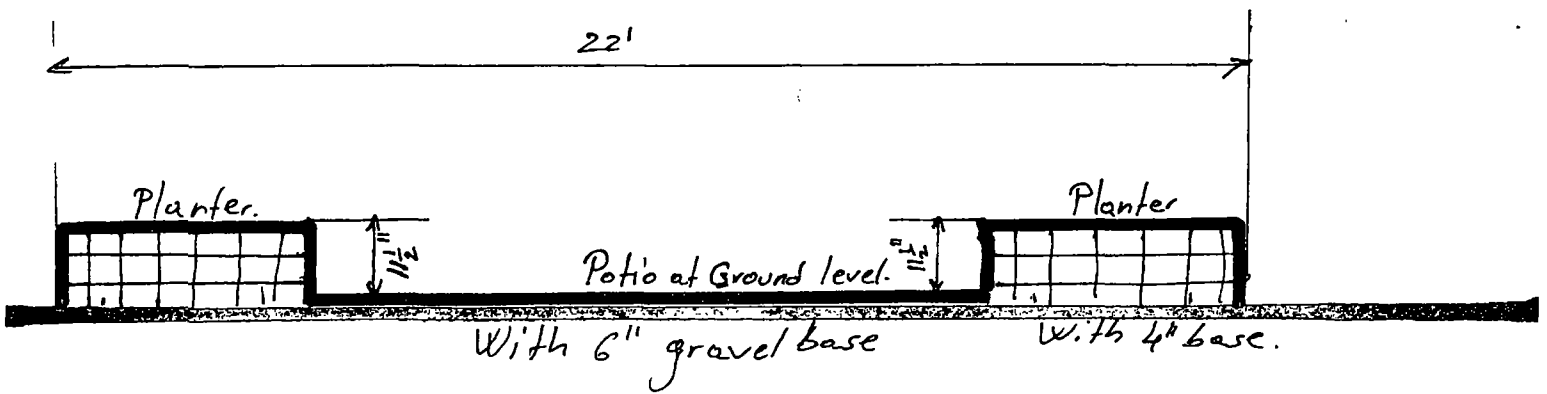
The permit holder agrees to hold the City of Chicago harmless for any damage, relocation or replacement costs associated with damage, relocation or removal of private property caused by the City performing work in the public way.

Authority herein given and granted for a period of five (5) years from and after 06/30/2015.

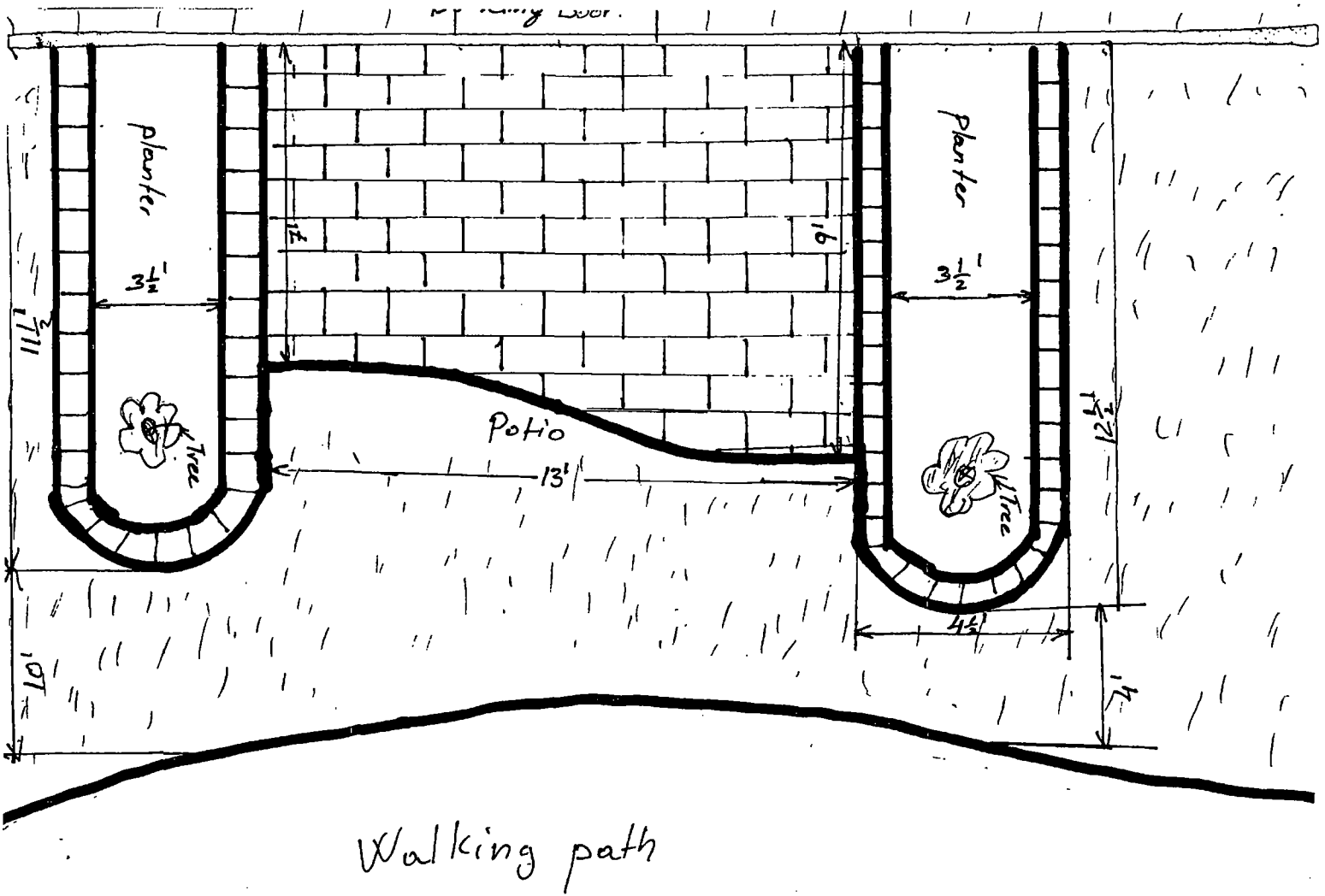
Alderman _____



Harry Osterman 48th Ward



James Markey
950 W Berwyn
Permit # 1091977



James Markey
950 W Berwyn
Permit # 1091977



06/17/2015

Alderman **Harry Osterman**
Ward # 48
City of Chicago
City Hall, Room 300
121 North LaSalle Street
Chicago, Illinois 60602

Re: An ordinance to use and maintain a portion of the public right-of-way for **two (2) planter(s)** for **JAMES R. MARKEY**, adjacent to the premises known as **950 W. Berwyn Ave.**

Dear Alderman **Harry Osterman**:

The applicant referenced above has requested the use of the public right-of-way for a **planter(s)**. An ordinance has been prepared by the Department of Business Affairs and Consumer Protection – Small Business Center - Public Way Use Unit for presentation to the City Council. Because this request was made for properties located in your ward, as approved by you as per the attached, I respectfully request that you introduce the attached ordinance at the next City Council meeting.

If you have any questions regarding this ordinance, please contact Anthony Bertuca at (312) 744-5506.

Department of Business Affairs and Consumer Protection