



# City of Chicago



O2014-9620

Office of the City Clerk

## Document Tracking Sheet

<b>Meeting Date:</b>	11/19/2014
<b>Sponsor(s):</b>	Graham (29)
<b>Type:</b>	Ordinance
<b>Title:</b>	Grant(s) of privilege in public way for McKinney's Home Daycare, Inc.
<b>Committee(s) Assignment:</b>	Committee on Transportation and Public Way

ORDINANCE  
MCKINNEY'S HOME DAYCARE INC  
Acct. No. 54729 - 4  
Permit No. 1114841

*Be It Ordained by the City Council of the City of Chicago:*

SECTION 1. Permission and authority are hereby given and granted to MCKINNEY'S HOME DAYCARE INC, upon the terms and subject to the conditions of this ordinance to maintain and use, as now constructed, one (1) Awning(s) projecting over the public right-of-way adjacent to its premises known as 5733-5743 W. Division St..

Said Awning(s) at W. Division measure(s):

One (1) at seventeen point three (17.3) feet in length, and two point six (2.6) feet in width for a total of forty-four point nine eight (44.98) square feet.

The location of said privilege shall be as shown on prints kept on file with the Department of Business Affairs and Consumer Protection and the Office of the City Clerk.

Said privilege shall be constructed in accordance with plans and specifications approved by the Zoning Department - Signs.

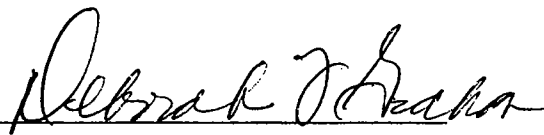
This grant of privilege in the public way shall be subject to the provisions of Section 10-28-015 and all other required provisions of the Municipal Code of Chicago.

The grantee shall pay to the City of Chicago as compensation for the privilege #1114841 herein granted the sum of fifty (\$50.00) per annum in advance.

A 25% penalty will be added for payments received after due date.

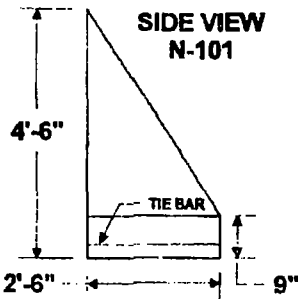
The permit holder agrees to hold the City of Chicago harmless for any damage, relocation or replacement costs associated with damage, relocation or removal of private property caused by the City performing work in the public way.

Authority herein given and granted for a period of five (5) years from and after 12/16/2014.

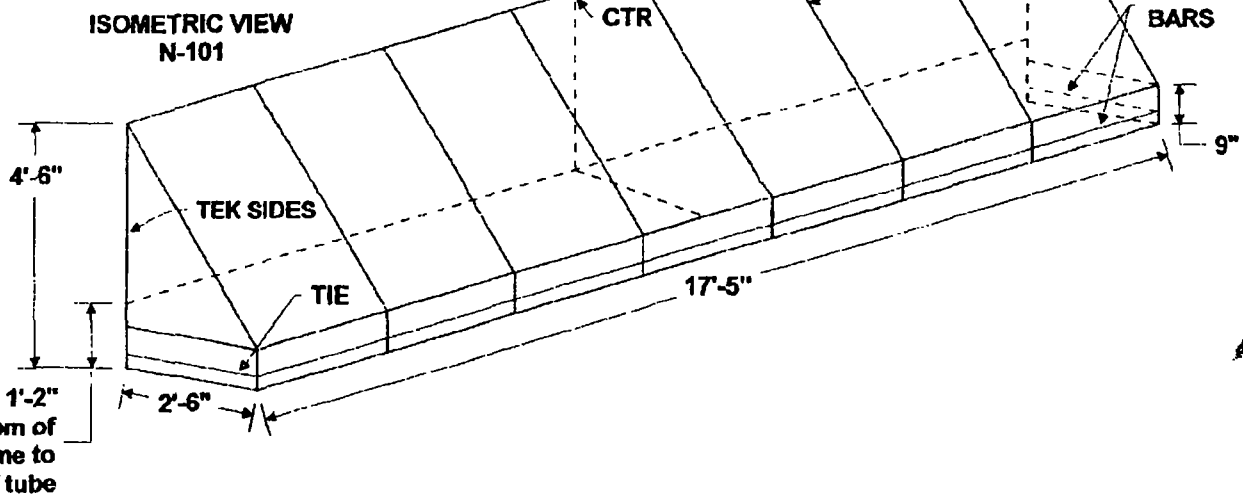
Alderman 

Deborah Graham 29th Ward

JOB# 710894  
MCKINNEYS DAY CARE



- NOTES:**
- ( 2 ) GALV STEEL FRAMES STANDARD FINISH
  - TRACK TOP / TEK SIDES / LACE UP PERIMETER ON N-101 FRAME
  - SEW DEPT
  - DROP FOR MATERIAL FOR FRAME N-101 IS - 4'-6"
  - TURN & TEK FRAME W-101



Page 3 of 4, 8/20/2013 3:25  
 Fax +17736263374  
 To +17736263374  
 Fax (630) 833-5725  
 From: Theejer Oute