



City of Chicago



O2016-1105

Office of the City Clerk Document Tracking Sheet

Meeting Date:	2/10/2016
Sponsor(s):	Tunney (44)
Type:	Ordinance
Title:	Grant(s) of privilege in public way for Oberweis Dairy, Inc.
Committee(s) Assignment:	Committee on Transportation and Public Way

ORDINANCE
OBERWEIS DAIRY, INC
Acct. No. 20334 - 6
Permit No. 1121243

Be It Ordained by the City Council of the City of Chicago:

SECTION 1. Permission and authority are hereby given and granted to OBERWEIS DAIRY, INC, upon the terms and subject to the conditions of this ordinance to maintain and use, as now constructed, two (2) Park bench(s) on the public right-of-way adjacent to its premises known as 3055 N. Sheffield Ave..

Said Park bench(s) at W. Barry Avenue measure(s):

One (1) at six (6) feet in length, and two (2) feet in width for a total of twelve (12) square feet.

Said Park bench(s) at N. Sheffield Avenue measure(s):

One (1) at six (6) feet in length, and two (2) feet in width for a total of twelve (12) square feet.

The location of said privilege shall be as shown on prints kept on file with the Department of Business Affairs and Consumer Protection and the Office of the City Clerk.

Said privilege shall be constructed in accordance with plans and specifications approved by the Department of Transportation (Division of Project Development).

This grant of privilege in the public way shall be subject to the provisions of Section 10-28-015 and all other required provisions of the Municipal Code of Chicago.

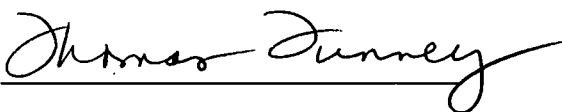
The grantee shall pay to the City of Chicago as compensation for the privilege #1121243 herein granted the sum of one hundred fifty (\$150.00) per annum in advance.

A 25% penalty will be added for payments received after due date.

The permit holder agrees to hold the City of Chicago harmless for any damage, relocation or replacement costs associated with damage, relocation or removal of private property caused by the City performing work in the public way.

Authority herein given and granted for a period of five (5) years from and after Date of Passage.

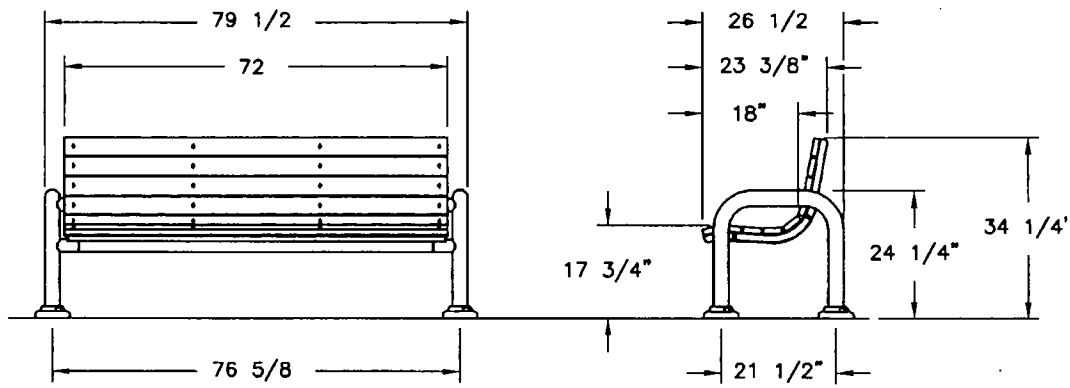
Alderman



Thomas Tunney 44th Ward



product dimensions





15% OFF SITE-WIDE

1 Item \$0.00

[View Cart](#)

[Sign In](#)

[My Account](#)

[About Us](#)

[Contact Us](#)

Promo Code **EY15**

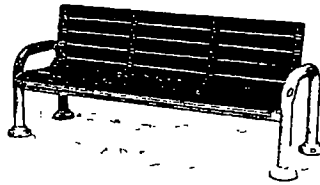
Enter keyword or item #

- [BENCHES](#)
- [PICNIC TABLES](#)
- [DINING SETS](#)
- [RECEPTACLES](#)
- [UMBRELLAS](#)
- [ADDITIONAL PRODUCTS](#)

BENCHES

Home / [Benches](#) / [Green Valley - 6 Bench with back](#) Portable/Surface Mount

- [Benches](#)
- [Picnic Tables](#)
- [Dining Sets](#)
- [Receptacles](#)
- [Umbrellas](#)
- [Additional Products](#)



GREEN VALLEY - 6' BENCH WITH BACK - PORTABLE/SURFACE MOUNT

GV420G

Our Green Valley contemporary style bench with back is offered here with our portable/surface mount leg options. The planks on the seat come fully assembled with our Poly-Tuf recycled material which cuts down on installation costs. The legs are constructed from 2 7/8" OD steel tubing and coated in our AAMA 2604-05 compliant powder-coating.

[Share](#) [Zoom](#)

SELECT COLOR

- [SPECS & ASSEMBLY](#)
- [CAD DRAWINGS](#)
- [COLORS](#)
- [PHOTOS](#)