



City of Chicago



O2016-2104

Office of the City Clerk

Document Tracking Sheet

Meeting Date:	3/16/2016
Sponsor(s):	Austin (34)
Type:	Ordinance
Title:	Grant(s) of privilege in public way for Service King Paint & Body LLC
Committee(s) Assignment:	Committee on Transportation and Public Way

ORDINANCE
SERVICE KING PAINT & BODY LLC
Acct. No. 400436 - 1
Permit No. 1120961

Be It Ordained by the City Council of the City of Chicago:

SECTION 1. Permission and authority are hereby given and granted to SERVICE KING PAINT & BODY LLC, upon the terms and subject to the conditions of this ordinance to maintain and use one (1) sign(s) projecting over the public right-of-way attached to its premises known as 821 W. 116th St..

Said sign structure(s) measures as follows; along W.116th Street:
One (1) at ten (10) feet in length, four point three three (4.33) feet in height and ten point five (10.5) feet above grade level.

The location of said privilege shall be as shown on prints kept on file with the Department of Business Affairs and Consumer Protection and the Office of the City Clerk.

Said privilege shall be constructed in accordance with plans and specifications approved by the Department of Transportation (Division of Project Development) and Zoning Department - Signs.

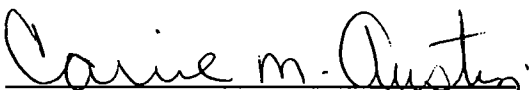
This grant of privilege in the public way shall be subject to the provisions of Section 10-28-015 and all other required provisions of the Municipal Code of Chicago.

The grantee shall pay to the City of Chicago as compensation for the privilege #1120961 herein granted the sum of three hundred (\$300.00) per annum in advance.

A 25% penalty will be added for payments received after due date.

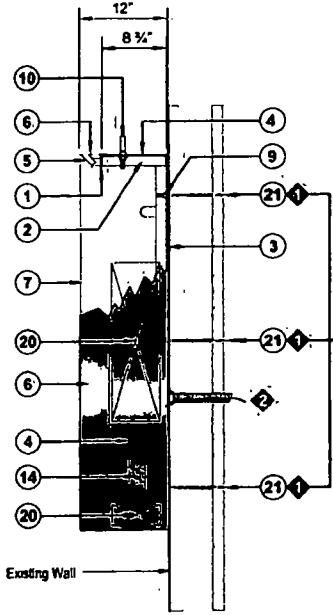
The permit holder agrees to hold the City of Chicago harmless for any damage, relocation or replacement costs associated with damage, relocation or removal of private property caused by the City performing work in the public way.

Authority herein given and granted for a period of five (5) years from and after Date of Passage.

Alderman 

Carrie M. Austin 34th Ward

Depth of Structure
12"



INSTALLATION NOTE:
 - 3/8"-16 Nuts Welded Inside Sign For Mounting Flush to Wall
 - Access Through Face of Sign is Not Necessary

SIDE VIEW
no scale

3-d x 10-0 - SF WALL CABINET	
FLEX FACE - 34 SQ. FT.	
Installation:	<input checked="" type="checkbox"/> Field <input type="checkbox"/> Factory
Electrical Specifications:	
Volts:	120 AC
Amperes:	2.63
Phase:	1
Wiring:	
1	TOP ALUM. CORNER FLANGE ROD
2	1/4" TOP x 1/2" x 227 ALUM. ANGLE VERTICAL BRASS
3	1/2" x 1/2" ALUM. BACK PANEL
4	227" x 1/2" ALUM. WEDGED NETWORK
5	BRASS/ALUM. ANGLE BLEED FRAME
6	BRASS/ALUM. ANGLE BLEED FRAME COVER
7	ARLON OFF-WHITE FLEX FACE MATERIAL (2" x 10' ROLL)
8	ARLON TRANSLUCENT VINYL APPLIED TO NO. 800-ALICE
9	1/2" x 1/2" x 1/2" ALUM. WELDED NUTS FOR SIGNATOR
10	2" x 1/2" DIA. STS BOLT FOR PROTR.
11	21 FROST-BROLD FLUORESCENT LAMP (2000)
12	21 FROST-BROLD FLUORESCENT LAMP (2000)
13	NO. 1
14	DISCONNECT SWITCH w/ WEATHERPROOF COVER
15	1/4" (25-400-04) BALLAST (1.4 LAMP/STP) (7) @ 1.5 AMP/EA.
16	1/4" (25-300) CHINA-GLASS THERMOSTATE SOCKETS (TYP)
17	1/4" (25-300) STATIONARY THERMOSTATE SOCKETS (TYP)
18	20-3 SOCKETS WIREWAY (TYP)
19	20-4 BALLAST WIREWAY (TYP)
20	BRASS/ALUM. ANGLE BLEED FRAME
21	3/8" x 1/2" HARDWARE FOR MOUNTING
	OFF / BAL / BNC DEDICATED CIRCUIT - REQUIRED

PATTISON
SIGN GROUP INC.
410 N. Cedar Bluff Rd., Suite 101, Knoxville, TN, 37923
(714) 883-8333 Fax (866) 884-1100 Toll Free (800) 918-7678

FIELD SURVEY REQUIRED BEFORE PRODUCTION

Customer Address: _____ Date: _____

ServiceKing

Check	Source Code	Checked By
Size	471 W. 116TH ST	
Sign with Top	7-2-15	70-12-15
Design	FLSMTH	AS NOTED
Revisions	11-2-15	2 OF 3



03/16/2016

Alderman Carrie M. Austin
Ward # 34
City of Chicago
City Hall, Room 200
121 North LaSalle Street
Chicago, Illinois 60602

Re: An ordinance to use and maintain a portion of the public right-of-way for **one (1) sign(s)** for **SERVICE KING PAINT & BODY LLC**, adjacent to the premises known as **821 W. 116th St.**.

Dear Alderman **Carrie M. Austin**:

The applicant referenced above has requested the use of the public right-of-way for a **sign(s)**. An ordinance has been prepared by the Department of Business Affairs and Consumer Protection – Small Business Center - Public Way Use Unit for presentation to the City Council. Because this request was made for properties located in your ward, as approved by you as per the attached, I respectfully request that you introduce the attached ordinance at the next City Council meeting.

If you have any questions regarding this ordinance, please contact Anthony Bertuca at (312) 744-5506.

Department of Business Affairs and Consumer Protection

ORDINANCE
SERVICE KING PAINT & BODY LLC
Acct. No. 400436 - 1
Permit No. 1120961

Be It Ordained by the City Council of the City of Chicago:

SECTION 1. Permission and authority are hereby given and granted to SERVICE KING PAINT & BODY LLC, upon the terms and subject to the conditions of this ordinance to maintain and use one (1) sign(s) projecting over the public right-of-way attached to its premises known as 821 W. 116th St..

Said sign structure(s) measures as follows; along W.116th Street:

One (1) at ten (10) feet in length, four point three three (4.33) feet in height and ten point five (10.5) feet above grade level.

The location of said privilege shall be as shown on prints kept on file with the Department of Business Affairs and Consumer Protection and the Office of the City Clerk.

Said privilege shall be constructed in accordance with plans and specifications approved by the Department of Transportation (Division of Project Development) and Zoning Department - Signs.

This grant of privilege in the public way shall be subject to the provisions of Section 10-28-015 and all other required provisions of the Municipal Code of Chicago.

The grantee shall pay to the City of Chicago as compensation for the privilege #1120961 herein granted the sum of three hundred (\$300.00) per annum in advance.

A 25% penalty will be added for payments received after due date.

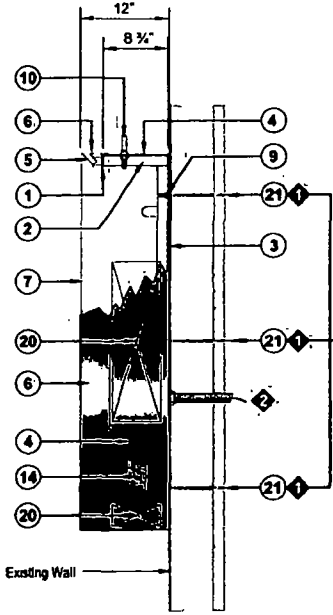
The permit holder agrees to hold the City of Chicago harmless for any damage, relocation or replacement costs associated with damage, relocation or removal of private property caused by the City performing work in the public way.

Authority herein given and granted for a period of five (5) years from and after Date of Passage.

Alderman Carrie M. Austin

Carrie M. Austin 34th Ward

Depth of Structure
12"



INSTALLATION NOTE:
 - 3/8" - 16 Nuts Welded Inside Sign For Mounting Flush to Wall
 - Access Through Face of Sign is Not Necessary

SIDE VIEW
no scale

4-4 x 10-0 - SF WALL CABINET FLEA FACE - 24 SQ. FT.	
Installation:	✓
Electrical Specification:	✓
Notes:	11/20/11
4 - 1 Direction	
71	✓ 1/2" ALUM. CHANNEL FLANGE END
72	✓ 1/2" x 1/2" x 1/2" ALUM. ANGLE VERTICAL BRACING
73	✓ 1/2" ALUM. BACK PANEL
74	✓ 1/2" POL. ALUM. WELDED RETURN
75	✓ BRASS/STAIN. METAL BLEND FRAME FINISH
76	✓ BRASS/STAIN. METAL BLEND FRAME CORNER
77	✓ ARLOX 600-20 WHITE FLEA FACE MATERIAL (2" x 10')
78	✓ ARLOX TRANSPARENT WHITE APPLIED TO THE SURFACE
79	✓ 3/8" x 1/2" ALUM. WELDED NUTS FOR BRACING
80	✓ 1/2" DIA. STEEL ROD FOR PICKUP
81	✓ 1/2" DIA. STEEL ROD FOR PICKUP
82	✓ 1/2" DIA. STEEL ROD FOR PICKUP
83	✓ 1/2" DIA. STEEL ROD FOR PICKUP
84	✓ 1/2" DIA. STEEL ROD FOR PICKUP
85	✓ 1/2" DIA. STEEL ROD FOR PICKUP
86	✓ 1/2" DIA. STEEL ROD FOR PICKUP
87	✓ 1/2" DIA. STEEL ROD FOR PICKUP
88	✓ 1/2" DIA. STEEL ROD FOR PICKUP
89	✓ 1/2" DIA. STEEL ROD FOR PICKUP
90	✓ 1/2" DIA. STEEL ROD FOR PICKUP
91	✓ 1/2" DIA. STEEL ROD FOR PICKUP
92	✓ 1/2" DIA. STEEL ROD FOR PICKUP
93	✓ 1/2" DIA. STEEL ROD FOR PICKUP
94	✓ 1/2" DIA. STEEL ROD FOR PICKUP
95	✓ 1/2" DIA. STEEL ROD FOR PICKUP
96	✓ 1/2" DIA. STEEL ROD FOR PICKUP
97	✓ 1/2" DIA. STEEL ROD FOR PICKUP
98	✓ 1/2" DIA. STEEL ROD FOR PICKUP
99	✓ 1/2" DIA. STEEL ROD FOR PICKUP
100	✓ 1/2" DIA. STEEL ROD FOR PICKUP

PATTISON
SIGN GROUP INC.
410 N. Cedar Bluff Rd., Suite 101 Knoxville, TN 37923
Tel: (615) 833-1105 Fax: (615) 833-1100 Toll Free: (800) 416-1929

FIELD SURVEY REQUIRED BEFORE PRODUCTION

Customer Approval: _____ Date: _____

ServiceKing

Client:	Service King	Order No.:	00000000
Site:	EST. W. 116TH ST.	Order Date:	10-13-11
Est. Name:	J. Evans	Order Status:	AS NOTED
Est. Address:	815 SMITH	Order No.:	11-2-15
Est. Phone:	(112) 15	Order No.:	2 OF 3