



City of Chicago



O2017-1256

Office of the City Clerk

Document Tracking Sheet

Meeting Date:	2/22/2017
Sponsor(s):	Ramirez-Rosa (35)
Type:	Ordinance
Title:	Grant(s) of privilege in public way for Tony's Finer Foods Enterprises, Inc.
Committee(s) Assignment:	Committee on Transportation and Public Way

ORDINANCE
TONY'S FINER FOODS ENTERPRISES, INC.
Acct. No. 305203 - 1
Permit No. 1125899

Be It Ordained by the City Council of the City of Chicago:

SECTION 1. Permission and authority are hereby given and granted to TONY'S FINER FOODS ENTERPRISES, INC., upon the terms and subject to the conditions of this ordinance to construct, install, maintain and use six (6) Light Fixture(s) projecting over the public right-of-way adjacent to its premises known as 3607 W. Fullerton Ave..

Said Light Fixture(s) at W. Fullerton Avenue measure(s):
Six (6) at point six seven (.67) feet in length, one (1) foot in width and twenty-five (25) feet above grade level.

The location of said privilege shall be as shown on prints kept on file with the Department of Business Affairs and Consumer Protection and the Office of the City Clerk.

Said privilege shall be constructed in accordance with plans and specifications approved by the Department of Transportation (Division of Project Development).

This grant of privilege in the public way shall be subject to the provisions of Section 10-28-015 and all other required provisions of the Municipal Code of Chicago.

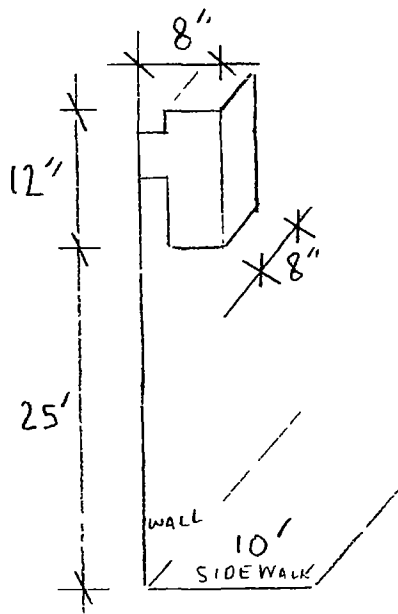
The grantee shall pay to the City of Chicago as compensation for the privilege #1125899 herein granted the sum of one hundred (\$100.00) per annum in advance.

A 25% penalty will be added for payments received after due date.

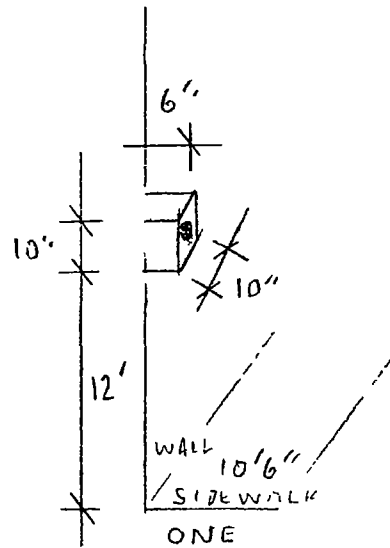
The permit holder agrees to hold the City of Chicago harmless for any damage, relocation or replacement costs associated with damage, relocation or removal of private property caused by the City performing work in the public way.

Authority herein given and granted for a period of five (5) years from and after Date of Passage.

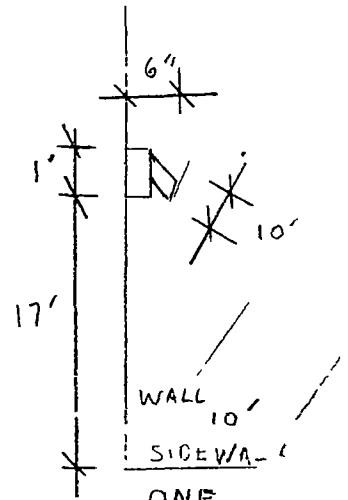
Alderman Carlos Ramirez-Rosa
Carlos Ramirez-Rosa 35th Ward *CR*



SIX LIGHT FIXTURES
NORTH WALL OF BUILDING



ONE CAMERA
SOUTH WALL
CORNER OF BUILDING



ONE CAMERA
NORTH-WEST
CORNER OF
BUILDING

1-13-17

TONY'S FINEER FOODS
3607 W FULLERTON
CHICAGO