



City of Chicago



O2021-4164

Office of the City Clerk

Document Tracking Sheet

Meeting Date:	9/14/2021
Sponsor(s):	King (4)
Type:	Ordinance
Title:	Grant(s) of privilege in public way for Lake Park Associates, Inc. - window displays
Committee(s) Assignment:	Committee on Transportation and Public Way

ORDINANCE

LAKE PARK ASSOCIATES, INC

Acct. No.: 379530 - 5

Permit No: BACP1548075

Be It Ordained by the City Council of the City of Chicago:

SECTION 1. Permission and authority are hereby given and granted to LAKE PARK ASSOCIATES, INC upon the terms and subject to the conditions of this ordinance to maintain and use, as now constructed, eleven (11) Window Display(s) projecting over the public right-of-way adjacent to its premises known as 1452 E 53RD ST.

Said Window Display(s) at E 53rd St measure(s):

Seven (7) at twelve point seven five (12.75) feet in length and Zero (0) feet in width for a total of eighty-nine point two five (89.25) square feet.

Said Window Display(s) at S Harper Ave measure(s):

Two (2) at ten (10) feet in length and Zero (0) feet in width for a total of twenty (20) square feet.

Said Window Display(s) at measure(s):

Two (2) at six (6) feet in length and Zero (0) feet in width for a total of twelve (12) square feet.

The location of said privilege shall be as shown on prints kept on file with the Department of Business Affairs and Consumer Protection and the Office of the City Clerk.

Said privilege shall be constructed in accordance with plans and specifications approved by the Department of Transportation (Division of Project Development) Department of Transportation (Office of Underground Coordination) and Department of Water Management Department of Planning and Development and Department of Transportation (Division of Project Development).

This grant of privilege in the public way shall be subject to the provisions of Section 10-28-015 and all other required provisions of the Municipal Code of Chicago.

The grantee shall pay to the City of Chicago as compensation for the privilege #BACP1548075 herein granted the sum of Zero (\$0.00) per annum in advance.

A 25% penalty will be added for payments received after due date.

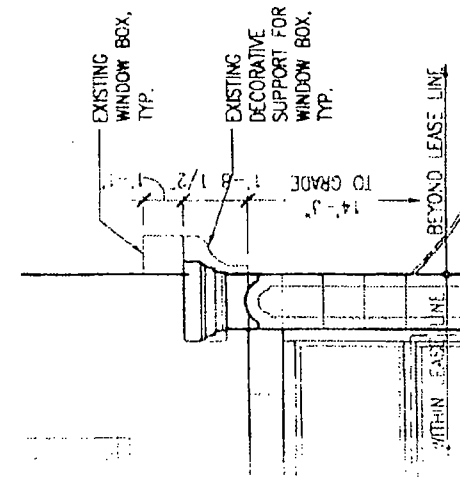
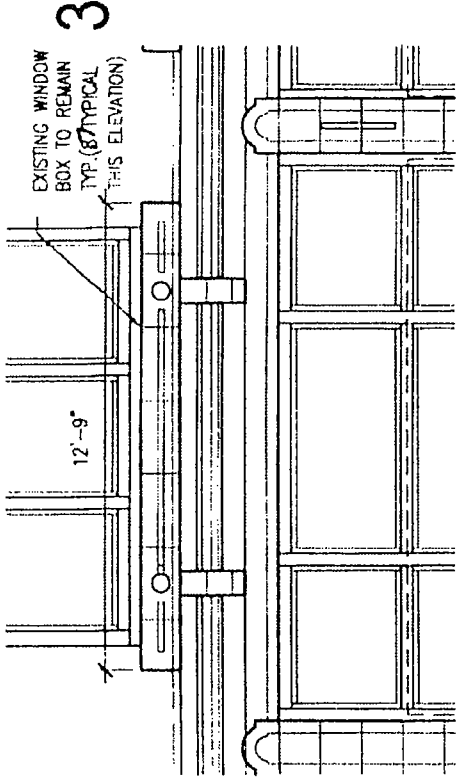
The permit holder agrees to hold the City of Chicago harmless for any damage, relocation or replacement costs associated with damage, relocation or removal of private property caused by the City performing work in the public way.

Authority herein given and granted for a period of five (5) years from and after 07/06/2021

Alderman

Sophia King 4th Ward

A handwritten signature in black ink, appearing to read 'Sophia King', is written over a horizontal line. The signature is stylized and cursive.



TYP SECTION @ EXIST. WINDOW BOX

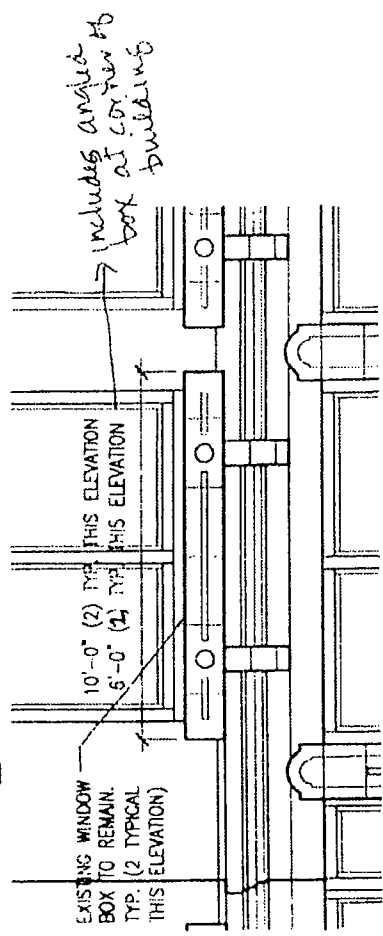


SCALE: 1/4" = 1'-0"

EXIST. WINDOW BOX - 53RD ST.



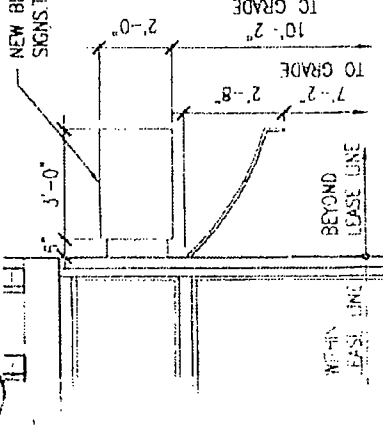
SCALE: 1/4" = 1'-0"



EXIST. WINDOW BOX - HARPER AVE.



SCALE: 1/4" = 1'-0"

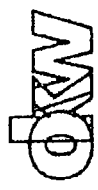


TYPICAL BLADE SIGN



SCALE: 1/4" = 1'-0"

USE OF PUBLIC WAY APPLICATION
HERALD BUILDING



OKW Architects

DATE: MARCH 06, 2009

PROJECT NUMBER: 10003

1452-1466 E. 53RD ST. & 5240 S. HARPER AVE.



Department of Business Affairs and Consumer Protection
Small Business Center - Public Way Use Unit
City Hall - 121 N LaSalle Street, Room 800, Chicago, IL 60602
312-74-GOBIZ / 312-744-6249 • (312) 744-1944 (TTY)
<http://www.cityofchicago.org/bacp>

09/14/2021

Alderman Sophia King
Ward # 04
City of Chicago
City Hall, Room 800
121 N. LaSalle Street
Chicago, IL 60602

Re: An ordinance to use and maintain a portion of the public right-of-way for **11 Window Display(s)** for **LAKE PARK ASSOCIATES, INC**, adjacent to the premises known as **1452 E 53RD ST.**

Dear Alderman **Sophia King**.

The applicant referenced above has requested the use of the public right-of-way for **Window Display(s)**. An ordinance has been prepared by the Department of Business Affairs and Consumer Protection - Small Business Center - Public Way Use Unit for presentation to the City Council. Because this request was made for properties located in your ward, as approved by you as per the attached, I respectfully request that you introduce the attached ordinance at the next City Council meeting.

If you have any questions regarding this ordinance, please contact Anthony Bertuca at (312) 744-5506.

Department of Business Affairs and Consumer Protection