



Office of the City Clerk



O2012-6718

Office of the City Clerk

City Council Document Tracking Sheet

Meeting Date:	10/3/2012
Sponsor(s):	Hairston, Leslie A. (5)
Type:	Ordinance
Title:	Grant(s) of privilege in public way for South Shore Chamber, Inc. - 7131 S Jeffery Blvd
Committee(s) Assignment:	Committee on Transportation and Public Way

ORDINANCE
SOUTH SHORE CHAMBER, INC
Acct. No. 333432 - 4
Permit No. 1102596

Be It Ordained by the City Council of the City of Chicago:

SECTION 1. Permission and authority are hereby given and granted to SOUTH SHORE CHAMBER, INC, upon the terms and subject to the conditions of this ordinance to construct, install, maintain and use one (1) Bicycle Rack(s) on the public right-of-way adjacent to its premises known as 7131 S. Jeffery Blvd..

Said Bicycle Rack(s) at S. Jeffery Blvd measure(s):

One (1) at one point five (1.5) foot in length, and two point five (2.5) feet in width for a total of three point seven five (3.75) square feet.

The location of said privilege shall be as shown on prints kept on file with the Department of Business Affairs and Consumer Protection and the Office of the City Clerk.

Said privilege shall be constructed in accordance with plans and specifications approved by the Department of Planning and Development and Department of Transportation (Division of Project Development).

This grant of privilege in the public way shall be subject to the provisions of Section 10-28-015 and all other required provisions of the Municipal Code of Chicago.

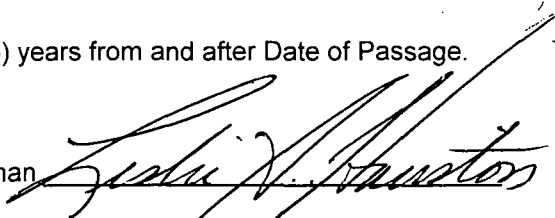
The grantee shall pay to the City of Chicago as compensation for the privilege #1102596 herein granted the sum of zero (\$.00) per annum in advance.

A 25% penalty will be added for payments received after due date.

The permit holder agrees to hold the City of Chicago harmless for any damage, relocation or replacement costs associated with damage, relocation or removal of private property caused by the City performing work in the public way.

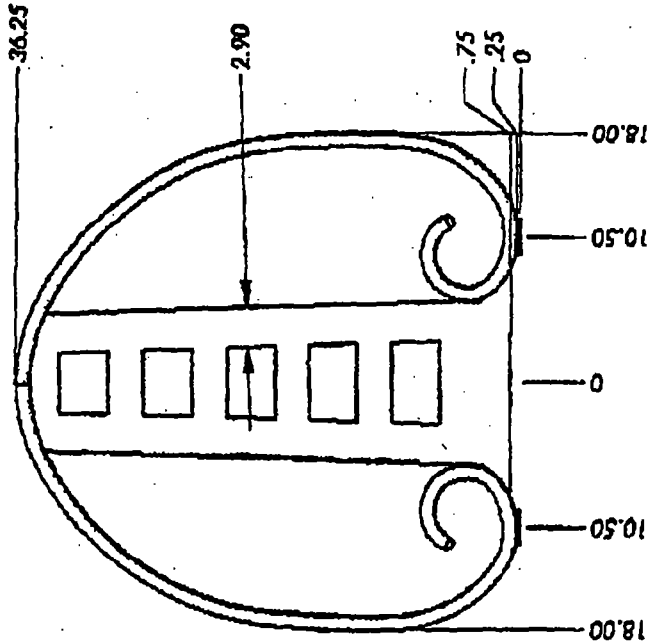
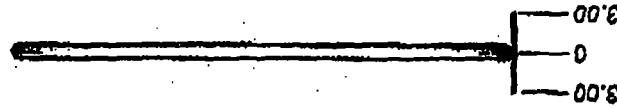
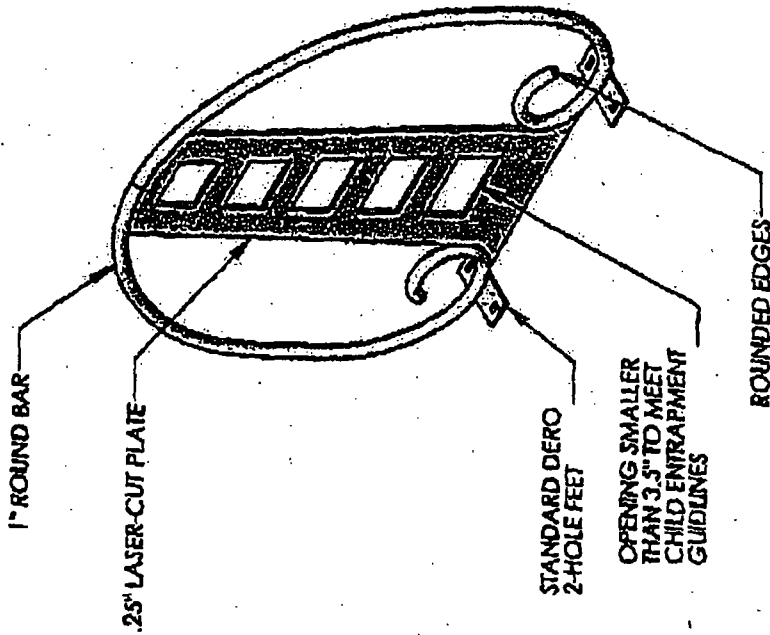
Authority herein given and granted for a period of five (5) years from and after Date of Passage.

Alderman



Leslie Hairston 5th Ward

REV. NO.	DESCRIPTION	DATE
A	INITIAL RELEASE	08/03/12



DERO BIKE RACK CO. 1200 W. 125th ST. CHICAGO, IL 60643 CHICAGO SOUTH SHORE RACK		DATE: 07/23/12 NAME: [blank] NO. [blank] PROJECT: [blank]	SCALE: [blank] SHEET NO: [blank] TOTAL SHEETS: [blank]
DIMENSIONS ARE IN INCHES TOLERANCES SEE DRAWING FOR SPECIFIC TOLERANCES		MATERIAL: [blank] SEE BOM	FINISH: [blank] SEE NOTES
PROTECT AND CONSERVE THE ENVIRONMENT BY RECYCLING ALL WASTE MATERIALS AND REUSING THE BIKE RACK COMPANY'S SERVICES		DO NOT SCALE DRAWING	

DEPARTMENT OF
 JUL 23 2012



10/03/2012

Alderman **Leslie Hairston**
Ward # 05
City of Chicago
City Hall, Room 300
121 North LaSalle Street
Chicago, Illinois 60602

Re: An ordinance to use and maintain a portion of the public right-of-way for **one (1) bicycle rack(s)** for **SOUTH SHORE CHAMBER, INC**, adjacent to the premises known as **7131 S. Jeffery Blvd.**

Dear Alderman **Leslie Hairston**:

The applicant referenced above has requested the use of the public right-of-way for a **bicycle rack(s)**. An ordinance has been prepared by the Department of Business Affairs and Consumer Protection – Business Assistance Center - Public Way Use Unit for presentation to the City Council. Because this request was made for properties located in your ward, as approved by you as per the attached, I respectfully request that you introduce the attached ordinance at the next City Council meeting.

If you have any questions regarding this ordinance, please contact Anthony Bertuca at (312) 744-5506.

Department of Business Affairs and Consumer Protection