



City of Chicago



O2016-1094

Office of the City Clerk

Document Tracking Sheet

Meeting Date:	2/10/2016
Sponsor(s):	Burnett (27)
Type:	Ordinance
Title:	Grant(s) of privilege in public way for Old Town Medspa LLC
Committee(s) Assignment:	Committee on Transportation and Public Way

ORDINANCE
OLD TOWN MEDSPA LLC
Acct. No. 397719 - 1
Permit No. 1120384

Be It Ordained by the City Council of the City of Chicago:

SECTION 1. Permission and authority are hereby given and granted to OLD TOWN MEDSPA LLC, upon the terms and subject to the conditions of this ordinance to maintain and use one (1) sign(s) projecting over the public right-of-way attached to its premises known as 1341 N. Sedgwick St..

Said sign structure(s) measures as follows; along N SEDGWICK ST:

One (1) at eight point one seven (8.17) feet in length, two point five (2.5) feet in height and ten point five (10.5) feet above grade level.

The location of said privilege shall be as shown on prints kept on file with the Department of Business Affairs and Consumer Protection and the Office of the City Clerk.

Said privilege shall be constructed in accordance with plans and specifications approved by the Department of Transportation (Division of Project Development) and Zoning Department - Signs.

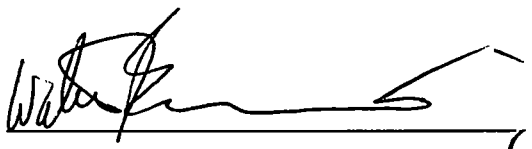
This grant of privilege in the public way shall be subject to the provisions of Section 10-28-015 and all other required provisions of the Municipal Code of Chicago.

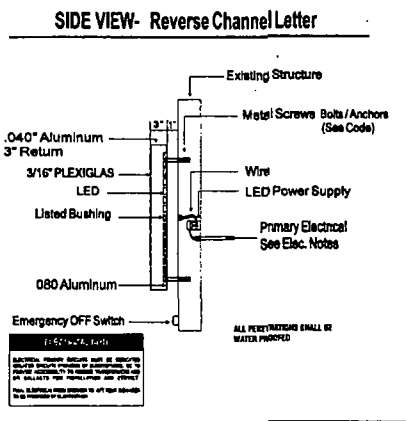
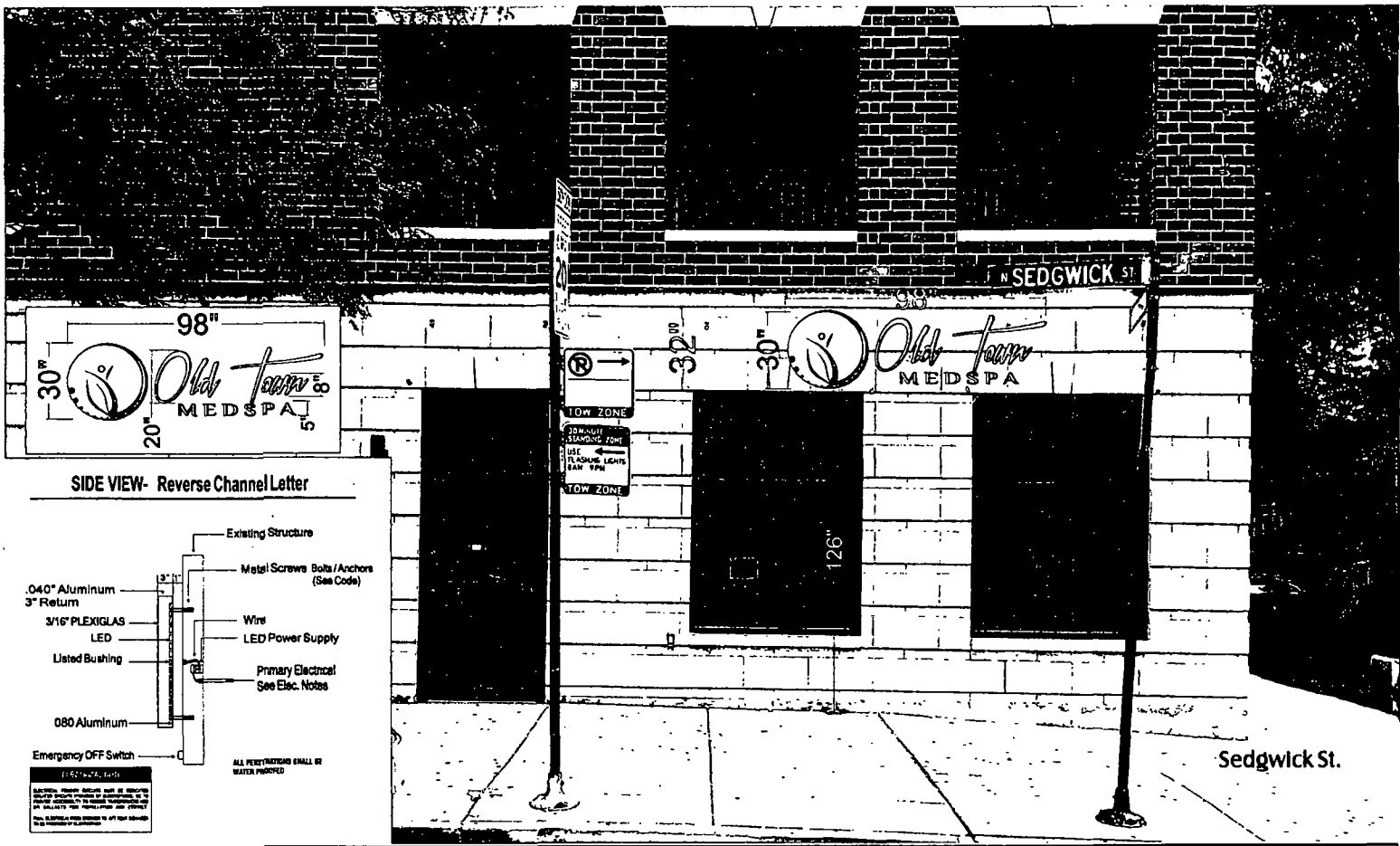
The grantee shall pay to the City of Chicago as compensation for the privilege #1120384 herein granted the sum of one hundred (\$100.00) per annum in advance.

A 25% penalty will be added for payments received after due date.

The permit holder agrees to hold the City of Chicago harmless for any damage, relocation or replacement costs associated with damage, relocation or removal of private property caused by the City performing work in the public way.

Authority herein given and granted for a period of five (5) years from and after Date of Passage.

Alderman 
Walter Burnett Jr. 27th Ward



TRIANGLE SIGN AND AWNING INC.

888-263-6639

sales@trianglesignandawning.com

1079 Entry Dr. Bensenville, IL 60106

CUSTOMER: Old Town MedSpa

LOCATION: 1341 N. Sedgwick St. Chicago, IL 60610

Design by: Aleona S.

Date: 09/21/2015

Customer approval signature _____ Date 1 / /2015

© by Triangle Sign & Awning
Proprietary and Confidential

This design is the original and unpublished work of Triangle Sign & Awning, Inc. and may not be reproduced, copied or exhibited in any fashion without the expressed writing from an authorized personnel of the company. The rights to this design may be purchased.

Special Note: _____

Landlord approval signature _____ Date 1 / /2015