



City of Chicago



O2017-8053

Office of the City Clerk

Document Tracking Sheet

Meeting Date:	11/8/2017
Sponsor(s):	Mell (33)
Type:	Ordinance
Title:	Grant(s) of privilege in public way for North River Commission - bicycle rack - 3109 W Montrose Ave
Committee(s) Assignment:	Committee on Transportation and Public Way

ORDINANCE
NORTH RIVER COMMISSION
Acct No. 386597 - 8
Permit No. 1129885

Be It Ordained by the City Council of the City of Chicago:

SECTION 1. Permission and authority are hereby given and granted to NORTH RIVER COMMISSION, upon the terms and subject to the conditions of this ordinance to construct, install, maintain and use one (1) Bicycle Rack(s) on the public right-of-way adjacent to its premises known as 3109 W. Montrose Ave..

Said Bicycle Rack(s) at W. Montrose Avenue measure(s):
One (1) at two (2) feet in length, and point five (.5) feet in width for a total of one (1) square feet.

The location of said privilege shall be as shown on prints kept on file with the Department of Business Affairs and Consumer Protection and the Office of the City Clerk.

Said privilege shall be constructed in accordance with plans and specifications approved by the Department of Planning and Development and Department of Transportation (Division of Project Development).


This grant of privilege in the public way shall be subject to the provisions of Section 10-28-015 and all other required provisions of the Municipal Code of Chicago.

The grantee shall pay to the City of Chicago as compensation for the privilege #1129885 herein granted the sum of zero (\$.00) per annum in advance.

A 25% penalty will be added for payments received after due date.

The permit holder agrees to hold the City of Chicago harmless for any damage, relocation or replacement costs associated with damage, relocation or removal of private property caused by the City performing work in the public way.

Authority herein given and granted for a period of five (5) years from and after Date of Passage.

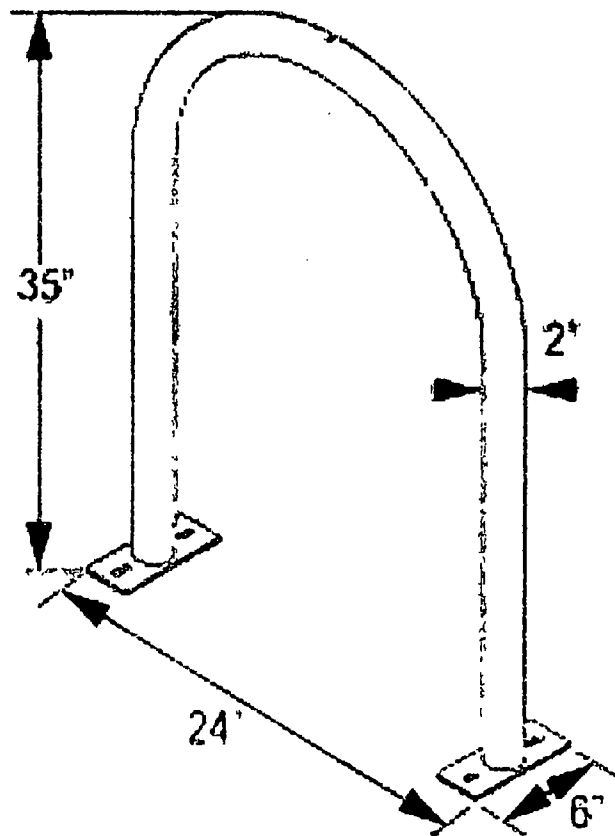
Alderman  _____

Deborah Mell 33rd Ward

North River Commission
PWU Grant of Privilege
3403 W Lawrence Ave, Ste 201
Chicago, IL

Location of bike racks
3109 W Montrose Ave,
Chicago, IL 60618

Quantity 1





11/08/2017

Alderman Deborah Mell
Ward # 33
City of Chicago
City Hall, Room 200
121 North LaSalle Street
Chicago, Illinois 60602

Re: An ordinance to use and maintain a portion of the public right-of-way for **one (1) bicycle rack(s)** for **NORTH RIVER COMMISSION**, adjacent to the premises known as **3109 W. Montrose Ave.**.

Dear Alderman **Deborah Mell**:

The applicant referenced above has requested the use of the public right-of-way for a **bicycle rack(s)**. An ordinance has been prepared by the Department of Business Affairs and Consumer Protection – Small Business Center - Public Way Use Unit for presentation to the City Council. Because this request was made for properties located in your ward, as approved by you as per the attached, I respectfully request that you introduce the attached ordinance at the next City Council meeting.

If you have any questions regarding this ordinance, please contact Anthony Bertuca at (312) 744-5506.

Department of Business Affairs and Consumer Protection