



City of Chicago



O2014-1211

Office of the City Clerk

Document Tracking Sheet

Meeting Date:	2/5/2014
Sponsor(s):	Arena (45)
Type:	Ordinance
Title:	Awning(s) for Smoque BBQ
Committee(s) Assignment:	Committee on Transportation and Public Way

ORDINANCE
SMOQUE BBQ
Acct. No. 302771 - 1
Permit No. 1109566

Be It Ordained by the City Council of the City of Chicago:

SECTION 1. Permission and authority are hereby given and granted to SMOQUE BBQ, upon the terms and subject to the conditions of this ordinance to construct, install, maintain and use one (1) Awning(s) projecting over the public right-of-way adjacent to its premises known as 3800 N. Pulaski Rd..

Said Awning(s) at W. Grace measure(s):

One (1) at eighteen point three three (18.33) feet in length, and six (6) feet in width for a total of one hundred nine point nine eight (109.98) square feet.

The location of said privilege shall be as shown on prints kept on file with the Department of Business Affairs and Consumer Protection and the Office of the City Clerk.

Said privilege shall be constructed in accordance with plans and specifications approved by the Zoning Department - Signs.

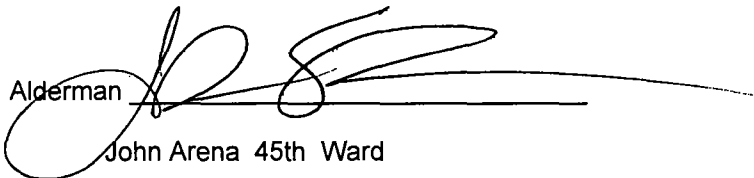
This grant of privilege in the public way shall be subject to the provisions of Section 10-28-015 and all other required provisions of the Municipal Code of Chicago.

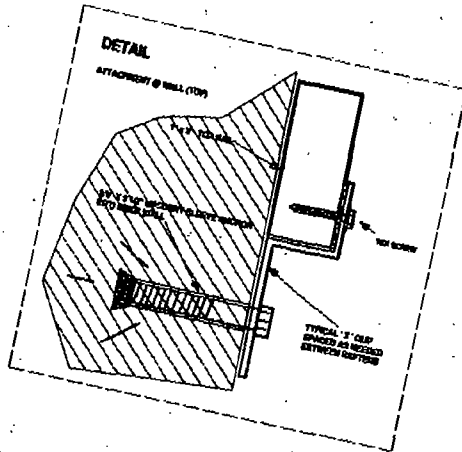
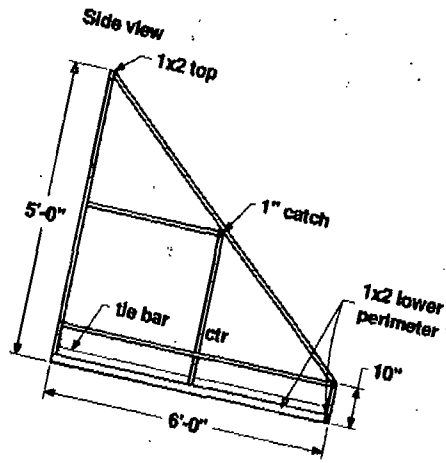
The grantee shall pay to the City of Chicago as compensation for the privilege #1109566 herein granted the sum of fifty (\$50.00) per annum in advance.

A 25% penalty will be added for payments received after due date.

The permit holder agrees to hold the City of Chicago harmless for any damage, relocation or replacement costs associated with damage, relocation or removal of private property caused by the City performing work in the public way.

Authority herein given and granted for a period of five (5) years from and after Date of Passage.

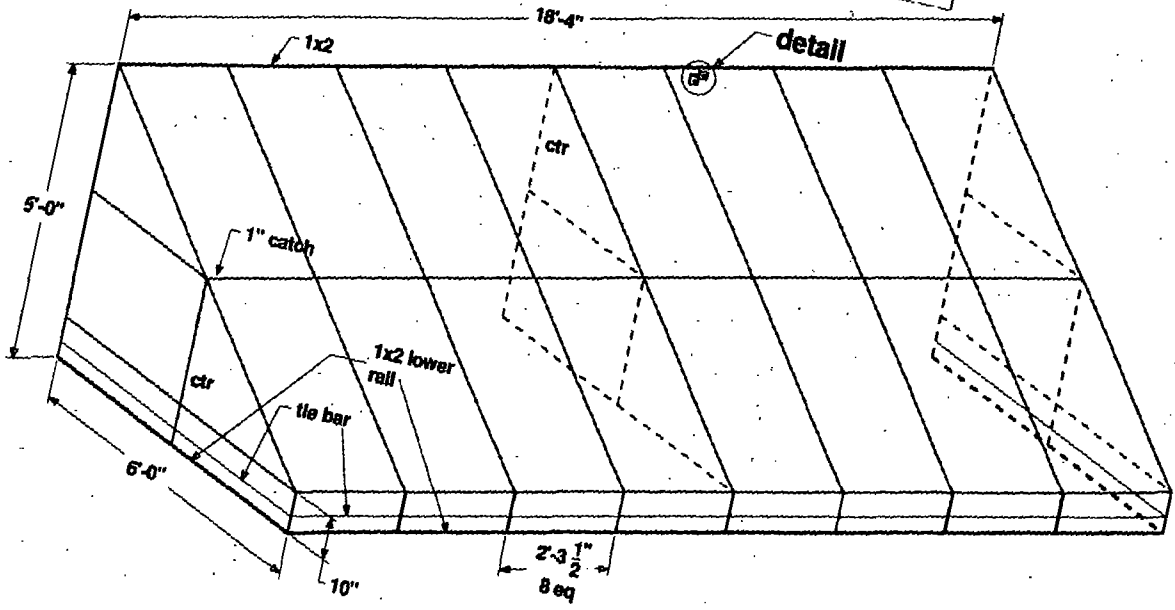
Alderman 
John Arena 45th Ward



JOB # 723905
Smoque BBQ

- Notes:
- galv stl frame (1)
 - welded construction
 - silver frame finish
 - tie bar up

Iso view





02/05/2014

Alderman John Arena
Ward # 45
City of Chicago
City Hall, Room 305
121 North LaSalle Street
Chicago, Illinois 60602

Re: An ordinance to use and maintain a portion of the public right-of-way for **one (1) awning(s)** for **SMOQUE BBQ**, adjacent to the premises known as **3800 N. Pulaski Rd.**

Dear Alderman **John Arena**:

The applicant referenced above has requested the use of the public right-of-way for a **awning(s)**. An ordinance has been prepared by the Department of Business Affairs and Consumer Protection – Small Business Center - Public Way Use Unit for presentation to the City Council. Because this request was made for properties located in your ward, as approved by you as per the attached, I respectfully request that you introduce the attached ordinance at the next City Council meeting.

If you have any questions regarding this ordinance, please contact Anthony Bertuca at (312) 744-5506.

Department of Business Affairs and Consumer Protection