



Office of the Chicago City
Clerk



O2012-2541

Office of the City Clerk

City Council Document Tracking Sheet

Meeting Date:	4/24/2012
Sponsor(s):	Burns, William D. (4)
Type:	Ordinance
Title:	Grant(s) of privilege in public way for Hyde Park Bank & Trust Co.
Committee(s) Assignment:	Committee on Transportation and Public Way

ORDINANCE
HYDE PARK BANK & TRUST CO
Acct. No. 454 - 1
Permit No. 1100502

Be It Ordained by the City Council of the City of Chicago:

SECTION 1. Permission and authority are hereby given and granted to HYDE PARK BANK & TRUST CO, upon the terms and subject to the conditions of this ordinance to maintain and use, as now constructed, three (3) Bicycle Rack(s) on the public right-of-way adjacent to its premises known as 1525 E. 53rd St..

Said Bicycle Rack(s) at E. 53rd St measure(s):

Two (2) at three point four (3.4) feet in length, and two point five (2.5) feet in width for a total of seventeen (17) square feet.

Said Bicycle Rack(s) at S. Lake Park measure(s):

One (1) at three point four (3.4) feet in length, and two point five (2.5) feet in width for a total of eight point five (8.5) square feet.

The location of said privilege shall be as shown on prints kept on file with the Department of Business Affairs and Consumer Protection and the Office of the City Clerk.

Said privilege shall be constructed in accordance with plans and specifications approved by the Department of Planning and Development and Department of Transportation (Division of Project Development).

This grant of privilege in the public way shall be subject to the provisions of Section 10-28-015 and all other required provisions of the Municipal Code of Chicago.

The grantee shall pay to the City of Chicago as compensation for the privilege #1100502 herein granted the sum of zero (\$.00) per annum in advance.

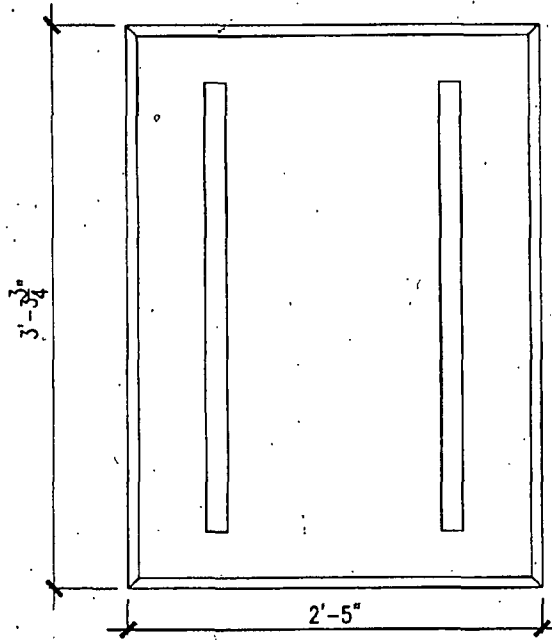
A 25% penalty will be added for payments received after due date.

The permit holder agrees to hold the City of Chicago harmless for any damage, relocation or replacement costs associated with damage, relocation or removal of private property caused by the City performing work in the public way.

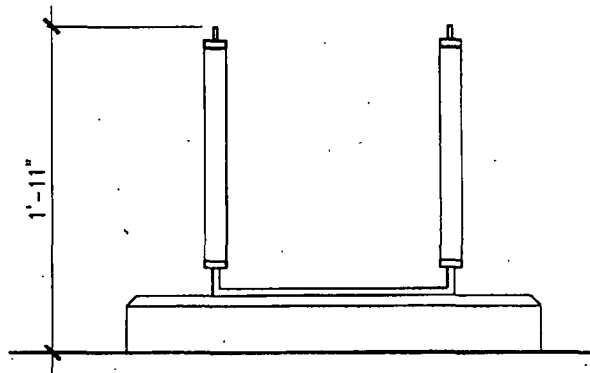
Authority herein given and granted for a period of five (5) years from and after 03/14/2012.

Alderman 

William D. Burns 4th Ward



TOP VIEW



ELEVATION



HYDE PARK FACILITIES

BIKE RACK

Scale: 1"=1'-0"

11/03/05



04/18/2012

Alderman **William D. Burns**
Ward # 04
City of Chicago
City Hall, Room 300
121 North LaSalle Street
Chicago, Illinois 60602

Re: An ordinance to use and maintain a portion of the public right-of-way for **three (3) bicycle rack(s)** for **HYDE PARK BANK & TRUST CO**, adjacent to the premises known as **1525 E. 53rd St.**

Dear Alderman **William D. Burns**:

The applicant referenced above has requested the use of the public right-of-way for **bicycle rack(s)**. An ordinance has been prepared by the Department of Business Affairs and Consumer Protection – Business Assistance Center - Public Way Use Unit for presentation to the City Council. Because this request was made for properties located in your ward, as approved by you as per the attached, I respectfully request that you introduce the attached ordinance at the next City Council meeting.

If you have any questions regarding this ordinance, please contact Anthony Bertuca at (312) 744-5506.

Department of Business Affairs and Consumer Protection