



City of Chicago



O2016-6623

Office of the City Clerk

Document Tracking Sheet

Meeting Date:	9/14/2016
Sponsor(s):	Reilly (42)
Type:	Ordinance
Title:	Grant(s) of privilege in public way for Chicago Board of Trade of the City of Chicago, Inc. - park benches
Committee(s) Assignment:	Committee on Transportation and Public Way

ORDINANCE
CHICAGO BOARD OF TRADE OF THE CITY OF CHICAGO, INC.
Acct. No. 8472 - 1
Permit No. 1124133

Be It Ordained by the City Council of the City of Chicago:

SECTION 1. Permission and authority are hereby given and granted to CHICAGO BOARD OF TRADE OF THE CITY OF CHICAGO, INC., upon the terms and subject to the conditions of this ordinance to maintain and use, as now constructed, fifteen (15) Park bench(s) on the public right-of-way adjacent to its premises known as 141 W. Jackson Blvd..

Said Park bench(s) at W. Jackson Blvd measure(s):
Fifteen (15) at four (4) feet in length, and one point six (1.6) foot in width for a total of ninety-six (96) square feet.

The location of said privilege shall be as shown on prints kept on file with the Department of Business Affairs and Consumer Protection and the Office of the City Clerk.

Said privilege shall be constructed in accordance with plans and specifications approved by the Department of Transportation (Division of Project Development).

This grant of privilege in the public way shall be subject to the provisions of Section 10-28-015 and all other required provisions of the Municipal Code of Chicago.

The grantee shall pay to the City of Chicago as compensation for the privilege #1124133 herein granted the sum of one thousand one hundred twenty-five (\$1,125.00) per annum in advance.

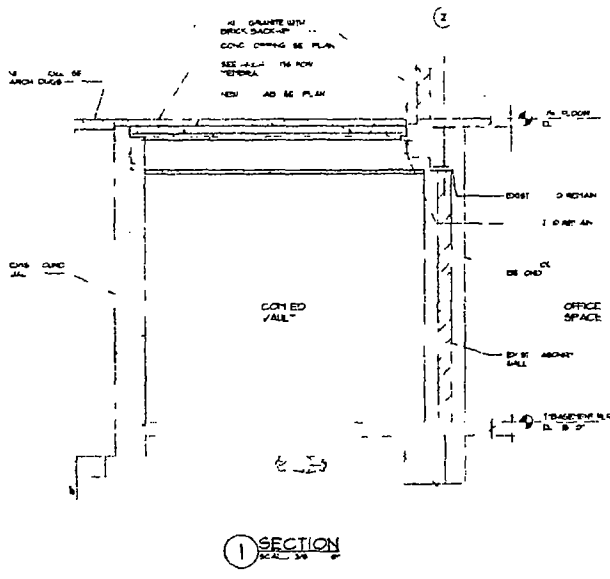
A 25% penalty will be added for payments received after due date.

The permit holder agrees to hold the City of Chicago harmless for any damage, relocation or replacement costs associated with damage, relocation or removal of private property caused by the City performing work in the public way.

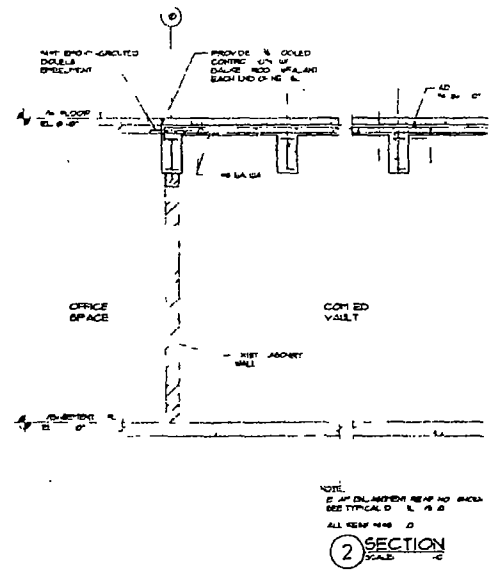
Authority herein given and granted for a period of five (5) years from and after 07/26/2016.

Alderman _____

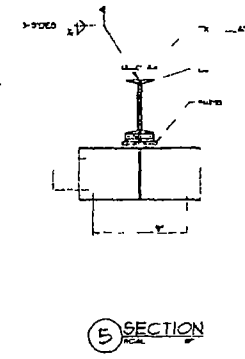
Brendan Reilly 42nd Ward



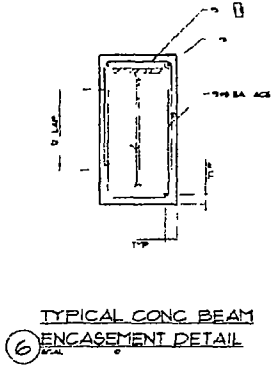
1 SECTION
SCALE 1/8" = 1'-0"



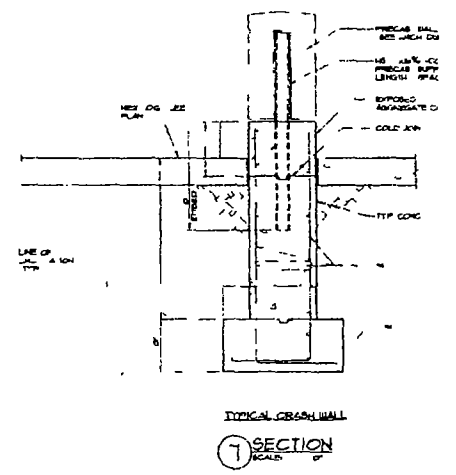
2 SECTION
SCALE 1/8" = 1'-0"



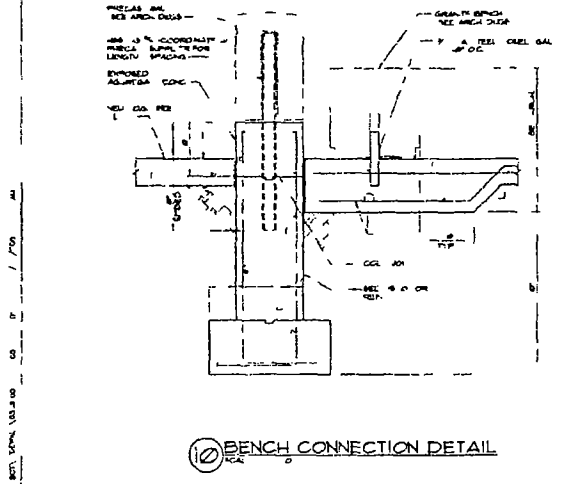
5 SECTION
SCALE 1/4" = 1'-0"



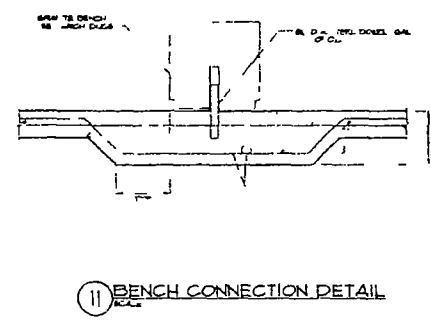
TYPICAL CONG BEAM
ENCASUREMENT DETAIL



TYPICAL CROSS WALL
SECTION
SCALE 1/8" = 1'-0"



10 BENCH CONNECTION DETAIL
SCALE 1/4" = 1'-0"



11 BENCH CONNECTION DETAIL
SCALE 1/4" = 1'-0"

DATE: 12/15/00
DRAWN: [Illegible]
CHECKED: [Illegible]
SCALE: 1/8" = 1'-0"