



# City of Chicago



O2016-960

Office of the City Clerk

## Document Tracking Sheet

<b>Meeting Date:</b>	2/10/2016
<b>Sponsor(s):</b>	Cardenas (12)
<b>Type:</b>	Ordinance
<b>Title:</b>	Grant(s) of privilege in public way for MetroPCS Authorized Dealer
<b>Committee(s) Assignment:</b>	Committee on Transportation and Public Way

ORDINANCE  
metroPCS Authorized Dealer  
Acct. No. 392606 - 4  
Permit No. 1117007

*Be It Ordained by the City Council of the City of Chicago:*

SECTION 1. Permission and authority are hereby given and granted to metroPCS Authorized Dealer, upon the terms and subject to the conditions of this ordinance to maintain and use two (2) sign(s) projecting over the public right-of-way attached to its premises known as 3871 S. Archer Ave..

Said sign structure(s) measures as follows; along S Archer Ave:  
Two (2) at thirteen (13) feet in length, three (3) feet in height and thirteen (13) feet above grade level.

The location of said privilege shall be as shown on prints kept on file with the Department of Business Affairs and Consumer Protection and the Office of the City Clerk.

Said privilege shall be constructed in accordance with plans and specifications approved by the Department of Transportation (Division of Project Development) and Zoning Department - Signs.

This grant of privilege in the public way shall be subject to the provisions of Section 10-28-015 and all other required provisions of the Municipal Code of Chicago.

The grantee shall pay to the City of Chicago as compensation for the privilege #1117007 herein granted the sum of six hundred (\$600.00) per annum in advance.

A 25% penalty will be added for payments received after due date.

The permit holder agrees to hold the City of Chicago harmless for any damage, relocation or replacement costs associated with damage, relocation or removal of private property caused by the City performing work in the public way.

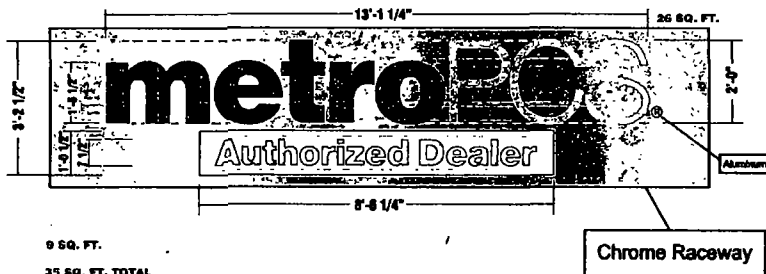
Authority herein given and granted for a period of five (5) years from and after Date of Passage.

Alderman \_\_\_\_\_

  
George Cardenas 12<sup>th</sup> Ward

**Front-Lit Channel Letters w/ LED Illumination • Raceway Mounted**

**SIGN B**

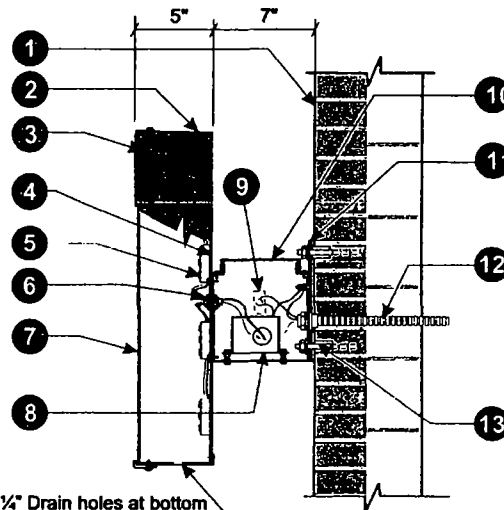


9 SQ. FT.  
35 SQ. FT. TOTAL  
42 SQ. FT. TOTAL (ENVELOPE METHOD)

White Trimcaps / Black returns

Proposed Square Footage of this sign: \_\_\_\_\_  
Lineal foot of store front: **18'-0\"/>**

**CHANNEL LETTER - TYPICAL SECTION - FRONT-LIT PLASTIC FACE**



1/4\"/>

**Section @ LED Channel Letter Raceway mount installation** Scale: N.T.S.



**ELECTRICAL NOTES**

Sign Company DOES NOT provide primary electrical to sign. Power to the sign must be done by a licensed electrical contractor or licensed electrician. Each sign must have:  
1. A minimum of one dedicated 120V 20A circuit  
2. Junction box installed within 6 feet of sign  
3. Three wires: Line, Ground, Neutral

**Specifications - LED Channel Letters**

1. Existing Facade: Concrete Block/ Brick
2. 0.040\"/>

**Electrical Detail: Channel Letters**

Mean well CLG-60-12  
(1) 60w Transformers @ 0.80  
Total Amps: 0.80  
(1) Minimum of 20 amp 120V Circuit Req.

**General Notes:**

This sign is to be installed in accordance with the requirements of Article 600 of the National Electrical Code.  
1) Grounded and bonded per NEC 600.7/NEC 250  
2) Existing branch circuit in compliance with NEC 600.5, not to exceed 20 amps  
3) Sign is to be UL listed per NEC 600.3  
4) UL disconnect switch per NEC 600.6- required per sign component before leaving manufacturer  
\*For multiple signs, a disconnect is permitted but not required for each section



5506 N. Kedzie Ave Chicago, IL 60625  
773-267-6007 | sales@tfasigns.com

**Client:** Metro PCS  
**Address:** 3871 S. Archer  
Chicago, IL  
**Tel:** \_\_\_\_\_  
**Email:** \_\_\_\_\_

**Landlord:** \_\_\_\_\_  
**Address:** \_\_\_\_\_  
**Tel:** \_\_\_\_\_  
**Email:** \_\_\_\_\_

**Start Date:** 00/00/0000  
**Last Revision:** 00/00/0000  
**Job#:** 00000  
**Drawing#:** 00000a v1 s1 / e1  
**Page:** 1 of 2

Client Approval \_\_\_\_\_

Landlord Approval \_\_\_\_\_

**Sales Rep:** Seung Park  
**Designer:** Vernon James  
**E322358**



**02/10/2016**

**Alderman George Cardenas**  
Ward # 12  
City of Chicago  
City Hall, Room 300  
121 North LaSalle Street  
Chicago, Illinois 60602

Re: An ordinance to use and maintain a portion of the public right-of-way for **two (2) sign(s)** for **metroPCS Authorized Dealer**, adjacent to the premises known as **3871 S. Archer Ave.**

Dear Alderman **George Cardenas**:

The applicant referenced above has requested the use of the public right-of-way for a **sign(s)**. An ordinance has been prepared by the Department of Business Affairs and Consumer Protection – Small Business Center - Public Way Use Unit for presentation to the City Council. Because this request was made for properties located in your ward, as approved by you as per the attached, I respectfully request that you introduce the attached ordinance at the next City Council meeting.

If you have any questions regarding this ordinance, please contact Anthony Bertuca at (312) 744-5506.

**Department of Business Affairs and Consumer Protection**