



# City of Chicago



O2016-7628

Office of the City Clerk

## Document Tracking Sheet

<b>Meeting Date:</b>	10/5/2016
<b>Sponsor(s):</b>	O'Connor (40)
<b>Type:</b>	Ordinance
<b>Title:</b>	Grant(s) of privilege in public way for Fireside Tavern and Grill
<b>Committee(s) Assignment:</b>	Committee on Transportation and Public Way

ORDINANCE  
FIRESIDE TAVERN AND GRILL  
Acct. No. 8989 - 1  
Permit No. 1123837

*Be It Ordained by the City Council of the City of Chicago:*

SECTION 1. Permission and authority are hereby given and granted to FIRESIDE TAVERN AND GRILL, upon the terms and subject to the conditions of this ordinance to maintain and use, as now constructed, one (1) Step(s) on the public right-of-way adjacent to its premises known as 5739 N. Ravenswood Ave..

Said Step(s) at N. Ravenswood measure(s):

One (1) at eight (8) feet in length, and point five eight (.58) feet in width for a total of four point six four (4.64) square feet.

The location of said privilege shall be as shown on prints kept on file with the Department of Business Affairs and Consumer Protection and the Office of the City Clerk.

Said privilege shall be constructed in accordance with plans and specifications approved by the Department of Transportation (Division of Project Development).

This grant of privilege in the public way shall be subject to the provisions of Section 10-28-015 and all other required provisions of the Municipal Code of Chicago.

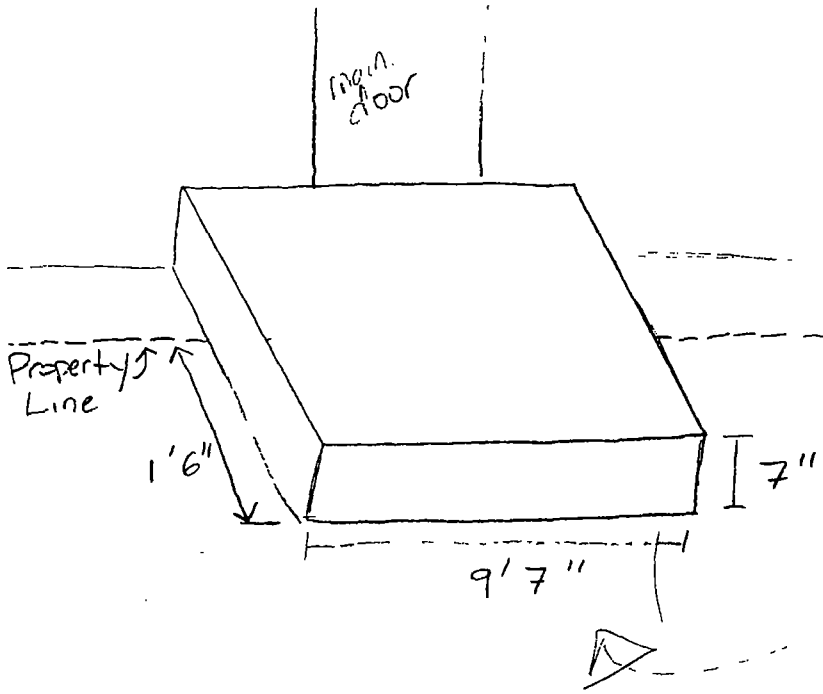
The grantee shall pay to the City of Chicago as compensation for the privilege #1123837 herein granted the sum of four hundred (\$400.00) per annum in advance.

A 25% penalty will be added for payments received after due date.

The permit holder agrees to hold the City of Chicago harmless for any damage, relocation or replacement costs associated with damage, relocation or removal of private property caused by the City performing work in the public way.

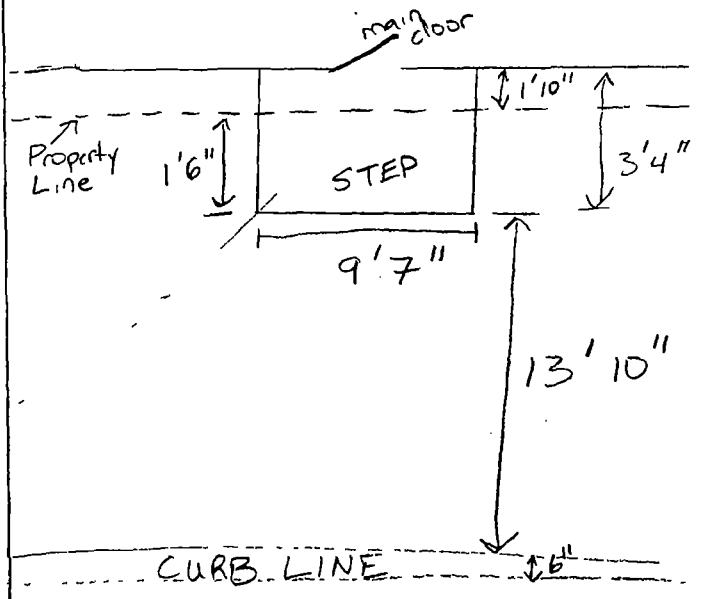
Authority herein given and granted for a period of five (5) years from and after 07/06/2016.

Alderman   
Patrick O'Connor 40th Ward

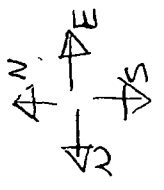
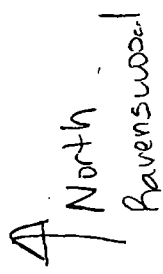


# STEP - LOCATION

5739-41 N Ravenswood Ave



- Qty: 1
- length: 9ft 7in
- width: 1ft 6in
- Height: 7in
- Distance to South Building wall: 21A
- Distance to North Building wall: 25A





10/05/2016

Alderman **Patrick O'Connor**  
Ward # **40**  
City of Chicago  
City Hall, Room **300**  
121 North LaSalle Street  
Chicago, Illinois 60602

Re: An ordinance to use and maintain a portion of the public right-of-way for **one (1) step(s)** for **FIRESIDE TAVERN AND GRILL**, adjacent to the premises known as **5739 N. Ravenswood Ave.**.

Dear Alderman **Patrick O'Connor**:

The applicant referenced above has requested the use of the public right-of-way for a **step(s)**. An ordinance has been prepared by the Department of Business Affairs and Consumer Protection – Small Business Center - Public Way Use Unit for presentation to the City Council. Because this request was made for properties located in your ward, as approved by you as per the attached, I respectfully request that you introduce the attached ordinance at the next City Council meeting.

If you have any questions regarding this ordinance, please contact Anthony Bertuca at (312) 744-5506.

**Department of Business Affairs and Consumer Protection**