



City of Chicago



O2014-7819

Office of the City Clerk

Document Tracking Sheet

Meeting Date:	9/10/2014
Sponsor(s):	Tunney (44)
Type:	Ordinance
Title:	Grant(s) of privilege in public way for Schoolyard Tavern & Grill - light fixtures
Committee(s) Assignment:	Committee on Transportation and Public Way

ORDINANCE
SCHOOLYARD TAVERN & GRILL
Acct. No. 33286 - 1
Permit No. 1114833

Be It Ordained by the City Council of the City of Chicago:

SECTION 1. Permission and authority are hereby given and granted to SCHOOLYARD TAVERN & GRILL, upon the terms and subject to the conditions of this ordinance to construct, install, maintain and use thirteen (13) Light Fixture(s) projecting over the public right-of-way adjacent to its premises known as 3258 N. Southport Ave..

Said Light Fixture(s) at Southport measure(s):

Five (5) at one (1) foot in length, two point two five (2.25) feet in width and fourteen (14) feet above grade level.
One (1) at point four two (.42) feet in length, point seven five (.75) feet in width and eleven point two five (11.25) feet above grade level.

Said Light Fixture(s) at School measure(s):

One (1) at point five eight (.58) feet in length, one point four two (1.42) foot in width and eleven point two five (11.25) feet above grade level.
Four (4) at point seven five (.75) feet in length, two (2) feet in width and seven point four two (7.42) feet above grade level.

Said Light Fixture(s) at School & Southport measure(s):

One (1) at point two five (.25) feet in length, point five (.5) feet in width and thirteen (13) feet above grade level.
One (1) at point six seven (.67) feet in length, two point two five (2.25) feet in width and eleven (11) feet above grade level.

The location of said privilege shall be as shown on prints kept on file with the Department of Business Affairs and Consumer Protection and the Office of the City Clerk.

Said privilege shall be constructed in accordance with plans and specifications approved by the Department of Transportation (Division of Project Development).

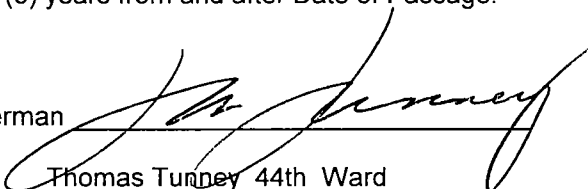
This grant of privilege in the public way shall be subject to the provisions of Section 10-28-015 and all other required provisions of the Municipal Code of Chicago.

The grantee shall pay to the City of Chicago as compensation for the privilege #1114833 herein granted the sum of one hundred thirty-five (\$135.00) per annum in advance.

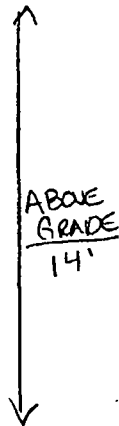
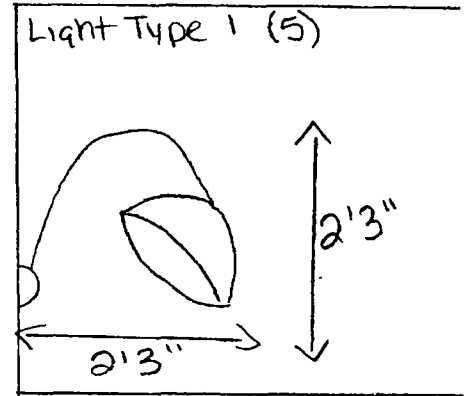
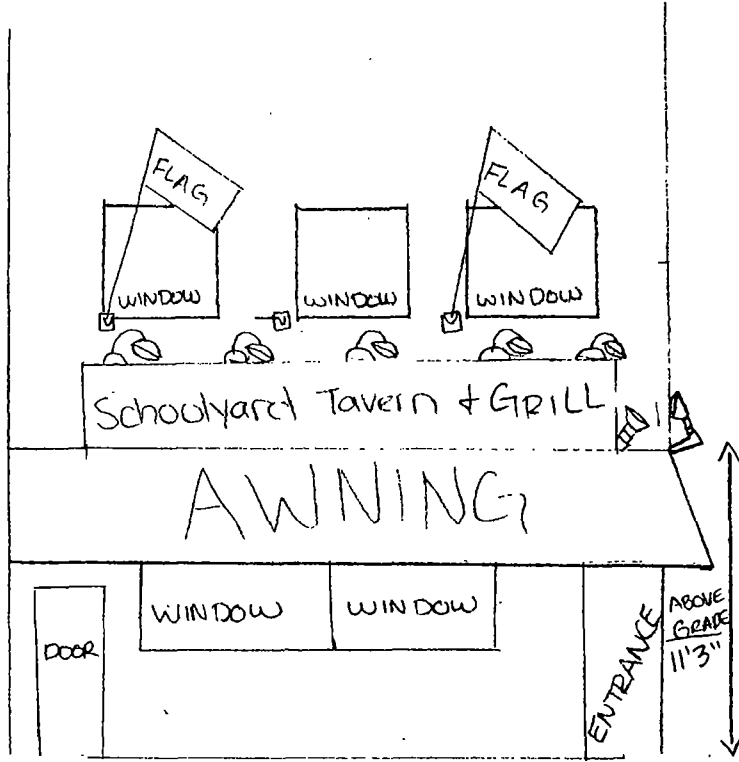
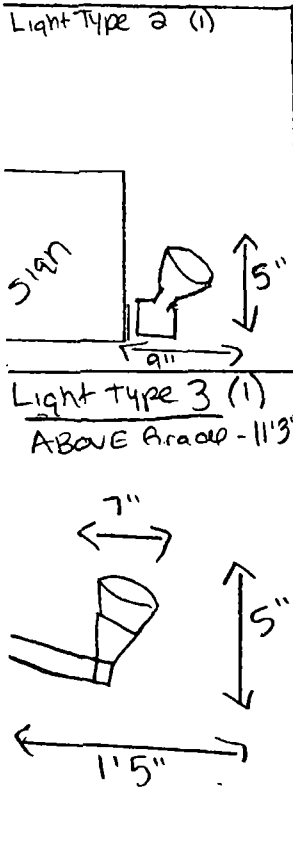
A 25% penalty will be added for payments received after due date.

The permit holder agrees to hold the City of Chicago harmless for any damage, relocation or replacement costs associated with damage, relocation or removal of private property caused by the City performing work in the public way.

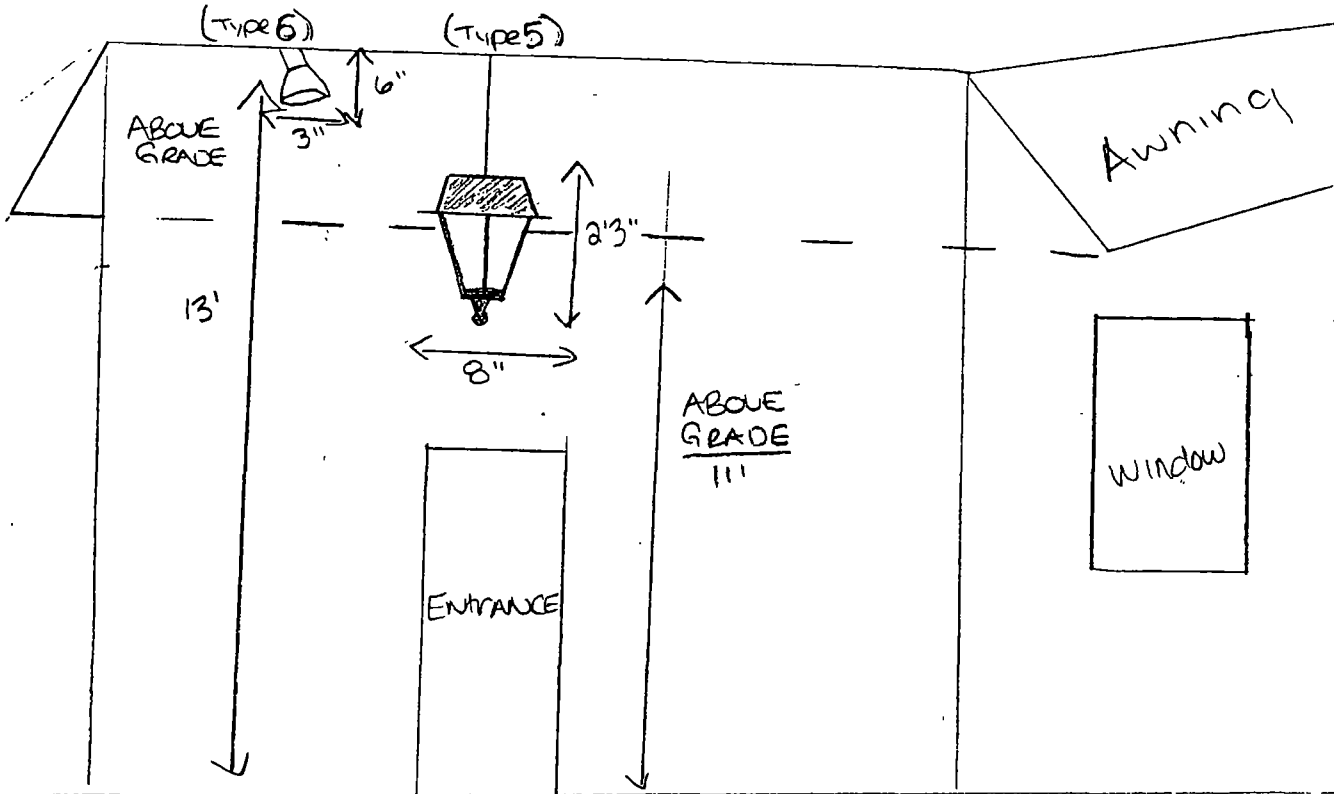
Authority herein given and granted for a period of five (5) years from and after Date of Passage.

Alderman 
Thomas Tunney 44th Ward

Schoolyard Tavern – 3258 N. Southport Lights Pictures (Southport)



Schoolyard 3258 N. Southport
Lights (Southport & Ada) Sketch
School





09/10/2014

Alderman **Thomas Tunney**
Ward # 44
City of Chicago
City Hall, Room 203
121 North LaSalle Street
Chicago, Illinois 60602

Re: An ordinance to use and maintain a portion of the public right-of-way for **thirteen (13) light fixture(s)** for **SCHOOLYARD TAVERN & GRILL**, adjacent to the premises known as **3258 N. Southport Ave.**.

Dear Alderman **Thomas Tunney**:

The applicant referenced above has requested the use of the public right-of-way for a **light fixture(s)**. An ordinance has been prepared by the Department of Business Affairs and Consumer Protection – Small Business Center - Public Way Use Unit for presentation to the City Council. Because this request was made for properties located in your ward, as approved by you as per the attached, I respectfully request that you introduce the attached ordinance at the next City Council meeting.

If you have any questions regarding this ordinance, please contact Anthony Bertuca at (312) 744-5506.

Department of Business Affairs and Consumer Protection