



City of Chicago



O2016-8937

Office of the City Clerk

Document Tracking Sheet

Meeting Date:	12/14/2016
Sponsor(s):	Burnett (27)
Type:	Ordinance
Title:	Grant(s) of privilege in public way for Eastman Egg Company, The
Committee(s) Assignment:	Committee on Transportation and Public Way

ORDINANCE
THE EASTMAN EGG COMPANY
Acct. No. 376146 - 14
Permit No. 1125063

Be It Ordained by the City Council of the City of Chicago:

SECTION 1. Permission and authority are hereby given and granted to THE EASTMAN EGG COMPANY, upon the terms and subject to the conditions of this ordinance to maintain and use two (2) sign(s) projecting over the public right-of-way attached to its premises known as 939 W. Randolph St..

Said sign structure(s) measures as follows; along W. Randolph Street:

One (1) at six point nine two (6.92) feet in length, one point two five (1.25) feet in height and fourteen point seven five (14.75) feet above grade level.

Said sign structure(s) measures as follows; along W. Randolph Street:

One (1) at one (1) foot in length, one (1) foot in height and eleven (11) feet above grade level.

The location of said privilege shall be as shown on prints kept on file with the Department of Business Affairs and Consumer Protection and the Office of the City Clerk.

Said privilege shall be constructed in accordance with plans and specifications approved by the Department of Transportation (Division of Project Development) and Zoning Department - Signs.


This grant of privilege in the public way shall be subject to the provisions of Section 10-28-015 and all other required provisions of the Municipal Code of Chicago.

The grantee shall pay to the City of Chicago as compensation for the privilege #1125063 herein granted the sum of one hundred seventy-five (\$175.00) per annum in advance.

A 25% penalty will be added for payments received after due date.

The permit holder agrees to hold the City of Chicago harmless for any damage, relocation or replacement costs associated with damage, relocation or removal of private property caused by the City performing work in the public way.

Authority herein given and granted for a period of five (5) years from and after Date of Passage.

Alderman 
Walter Burnett Jr. 27th Ward



2606 N. Sibley Ave
Chicago, IL 60647
312.321.6666
www.brightwaysigns.com

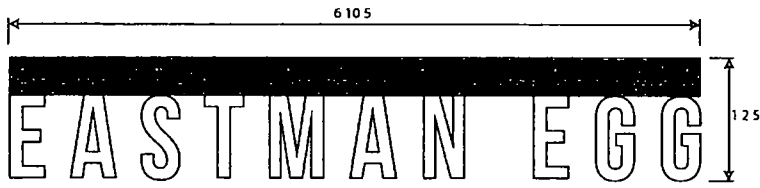
Client
The Eastman Egg
Company
Date
8/3/2016

Job Address
939 W Randolph
Contact Info
Scott Perin

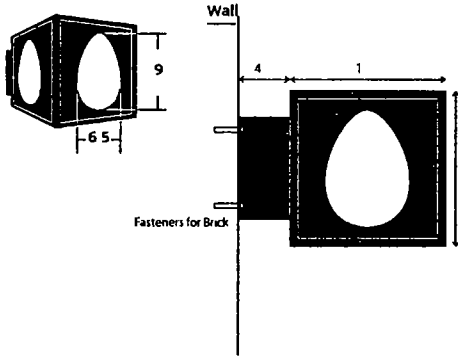
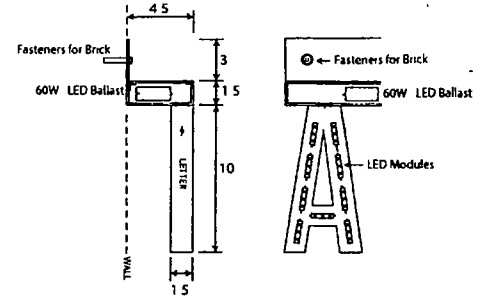
Color Palette

<input type="checkbox"/>	Black
<input type="checkbox"/>	White

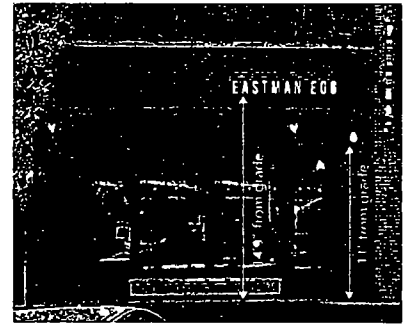
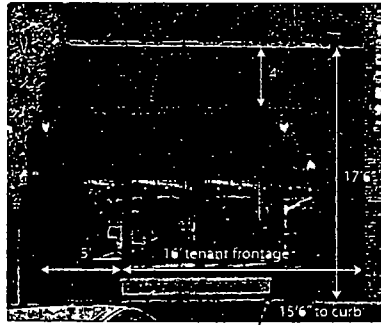
Matte Gloss



Lit wall sign above storefront
White painted aluminum letters 1 thick Halo lit (light glowing from back of letters)
mounted to L-bracket painted color of brick
Sign depth- 4 5
Sign area- 9 sq ft
Sign weight- 180 lbs



Projecting lightbox Black with translucent lexan face
Egg glows QTY 1 14 watt LED bulb
Sign depth- 14
Sign Area 2 sq ft
Sign weight 25 lbs



This is a rough print. Brightway Signs LLC is not responsible for reproduction without the express written consent of Brightway Signs LLC. All dimensions are in inches unless otherwise specified.

Brightway Signs LLC is not responsible for any damage or loss of materials. This includes Air, Color, Spelling, and all other essential information. Also note that color or functions on the sign are printed and may vary from actual print.

Customer Acceptance Signature _____

DATE _____