



City of Chicago



O2016-2990

Office of the City Clerk

Document Tracking Sheet

Meeting Date:	4/13/2016
Sponsor(s):	Cardenas (12)
Type:	Ordinance
Title:	Grant(s) of privilege in public way for Erie-LaSalle Body Shop on Kedzie
Committee(s) Assignment:	Committee on Transportation and Public Way

ORDINANCE
ERIE-LASALLE BODY SHOP ON KEDZIE
Acct. No. 363538 - 2
Permit No. 1119955

Be It Ordained by the City Council of the City of Chicago:

SECTION 1. Permission and authority are hereby given and granted to ERIE-LASALLE BODY SHOP ON KEDZIE, upon the terms and subject to the conditions of this ordinance to maintain and use two (2) sign(s) projecting over the public right-of-way attached to its premises known as 2440 S. Kedzie Ave..

Said sign structure(s) measures as follows; along S. Kedzie Avenue:

One (1) at sixteen (16) feet in length, four (4) feet in height and thirteen point five (13.5) feet above grade level.

One (1) at eight (8) feet in length, six (6) feet in height and eleven (11) feet above grade level.

The location of said privilege shall be as shown on prints kept on file with the Department of Business Affairs and Consumer Protection and the Office of the City Clerk.

Said privilege shall be constructed in accordance with plans and specifications approved by the Department of Transportation (Division of Project Development) and Zoning Department - Signs.

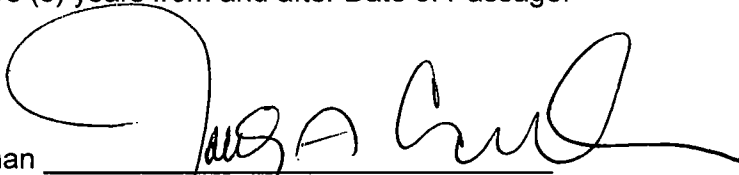
This grant of privilege in the public way shall be subject to the provisions of Section 10-28-015 and all other required provisions of the Municipal Code of Chicago.

The grantee shall pay to the City of Chicago as compensation for the privilege #1119955 herein granted the sum of six hundred (\$600.00) per annum in advance.

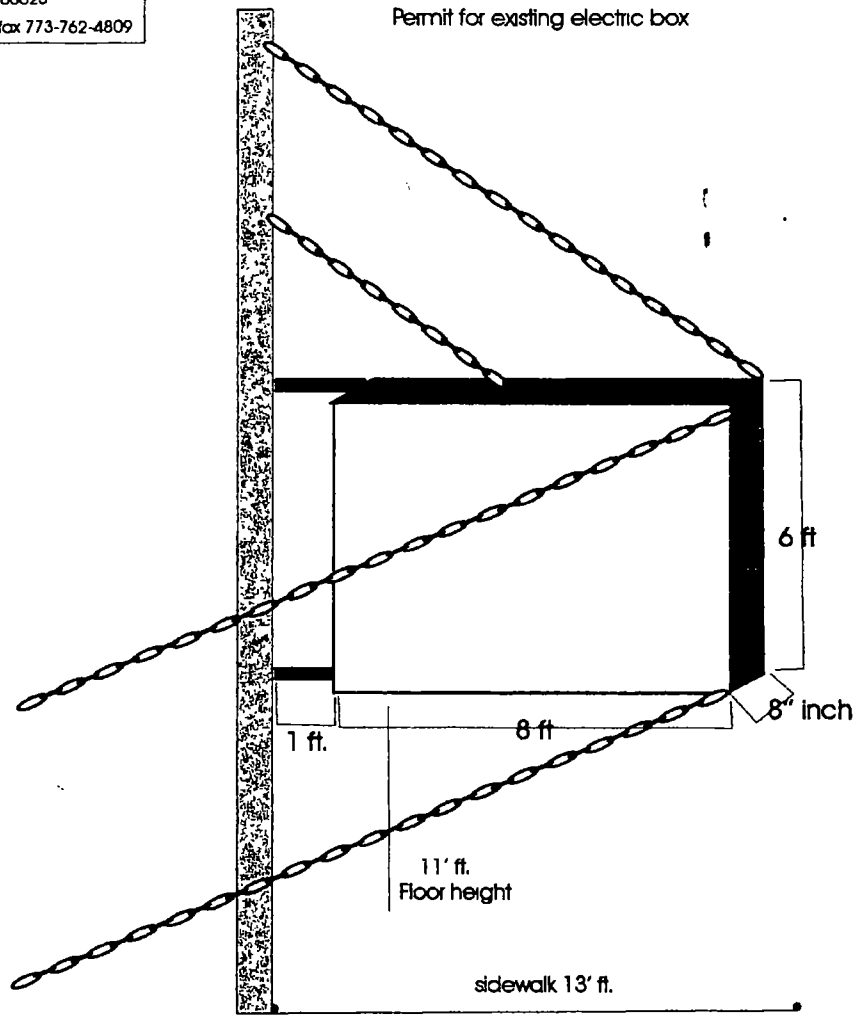
A 25% penalty will be added for payments received after due date.

The permit holder agrees to hold the City of Chicago harmless for any damage, relocation or replacement costs associated with damage, relocation or removal of private property caused by the City performing work in the public way.

Authority herein given and granted for a period of five (5) years from and after Date of Passage.

Alderman 
George Cardenas 12th Ward

Erie kasalle body shop on keddle, llc
2432-2440 s Kedzie ave Floor 1 st
Chicago Il 60623
Tel 773-762-5571 fax 773-762-4809



Materials:

- 1 ballast for 6 lamp the 8 ft. In 120 vols
- 2 Polycarbonate plastic 3/16 inch.x 6ft. X8 ft.
- Frame in aluminum
- Wing attached wall with 5- inch screws
- Wing attached wall with 3- inch screws

Chain tensioning
Sign in printing vinyl



Department of Business Affairs and Consumer Protection
Small Business Center - Public Way Use Unit
City Hall - 121 N LaSalle Street, Room 800 • Chicago, IL 60602
312-74-GOBIZ / 312-744-6249 • (312) 744-1944 (TTY)
<http://www.cityofchicago.org/bacp>

04/13/2016

Alderman George Cardenas
Ward # 12
City of Chicago
City Hall, Room 300
121 North LaSalle Street
Chicago, Illinois 60602

Re: An ordinance to use and maintain a portion of the public right-of-way for **two (2) sign(s)** for **ERIE-LASALLE BODY SHOP ON KEDZIE**, adjacent to the premises known as **2440 S. Kedzie Ave.**.

Dear Alderman **George Cardenas**:

The applicant referenced above has requested the use of the public right-of-way for a **sign(s)**. An ordinance has been prepared by the Department of Business Affairs and Consumer Protection – Small Business Center - Public Way Use Unit for presentation to the City Council. Because this request was made for properties located in your ward, as approved by you as per the attached, I respectfully request that you introduce the attached ordinance at the next City Council meeting.

If you have any questions regarding this ordinance, please contact Anthony Bertuca at (312) 744-5506.

Department of Business Affairs and Consumer Protection