



City of Chicago



O2018-2747

Office of the City Clerk

Document Tracking Sheet

Meeting Date:	3/28/2018
Sponsor(s):	Osterman (48)
Type:	Ordinance
Title:	Grant(s) of privilege in public way for Colectivo Coffee Roasters, Inc.
Committee(s) Assignment:	Committee on Transportation and Public Way

ORDINANCE
COLECTIVO COFFEE ROASTERS, INC
Acct. No. 412203 - 3
Permit No. 1131108

Be It Ordained by the City Council of the City of Chicago:

SECTION 1. Permission and authority are hereby given and granted to COLECTIVO COFFEE ROASTERS, INC, upon the terms and subject to the conditions of this ordinance to construct, install, maintain and use seven (7) Park bench(s) on the public right-of-way adjacent to its premises known as 5425 N. Clark St..

Said Park bench(s) at N. Clark Street measure(s).

Seven (7) at three (3) feet in length, and one point nine two (1.92) foot in width for a total of forty point three two (40.32) square feet.

The location of said privilege shall be as shown on prints kept on file with the Department of Business Affairs and Consumer Protection and the Office of the City Clerk

Said privilege shall be constructed in accordance with plans and specifications approved by the Department of Transportation (Division of Project Development).

This grant of privilege in the public way shall be subject to the provisions of Section 10-28-015 and all other required provisions of the Municipal Code of Chicago.

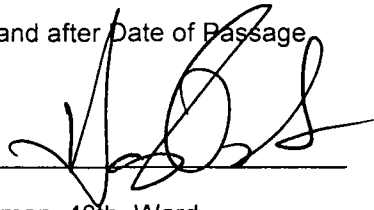
The grantee shall pay to the City of Chicago as compensation for the privilege #1131108 herein granted the sum of five hundred twenty-five (\$525.00) per annum in advance.

A 25% penalty will be added for payments received after due date

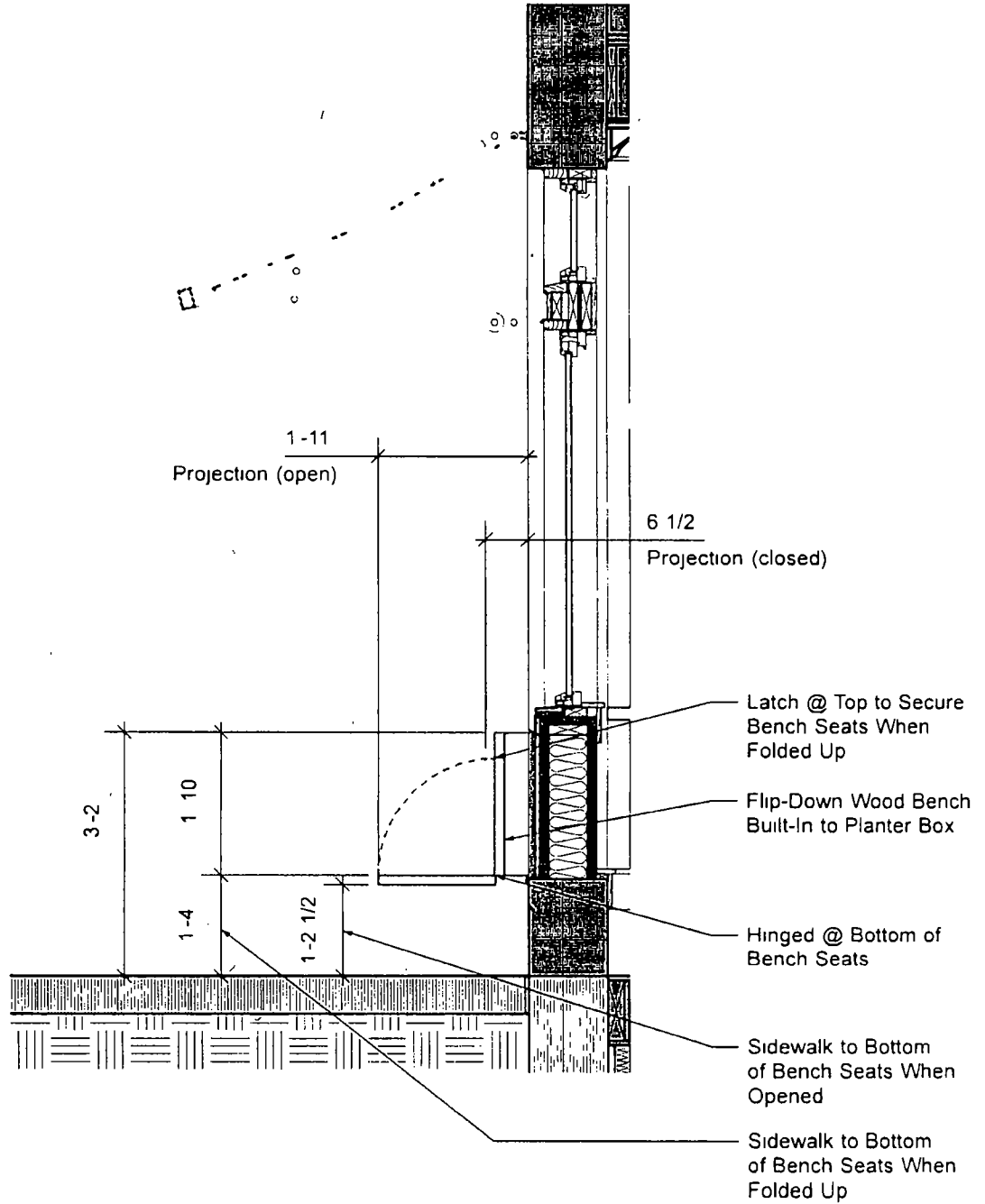
The permit holder agrees to hold the City of Chicago harmless for any damage, relocation or replacement costs associated with damage, relocation or removal of private property caused by the City performing work in the public way.

Authority herein given and granted for a period of five (5) years from and after Date of Passage.

Alderman _____



Harry Osterman 48th Ward



CLARK ST SECTION
SCALE 1/2" = 1'-0"



THE KUBALA WASHATKO
ARCHITECTS INC
W61 N617 Mequon Avenue
Cedarburg WI 53012
262 377-6039

PUBLIC-WAY USE APPLICATION
Colectivo - Andersonville Cafe
Address 5425 N Clark Street
Chicago IL 60640

OWNER INFO
Colectivo Coffee Roasters INC
2999 N Humbolt Blvd
Milwaukee WI 53212
CONTACT Lincoln Fowler
p 414 273 3747
e lincoln@colectivocoffee.com



03/28/2018

Alderman **Harry Osterman**
Ward # **48**
City of Chicago
City Hall, Room **300**
121 North LaSalle Street
Chicago, Illinois 60602

Re: An ordinance to use and maintain a portion of the public right-of-way for **seven (7) park bench(s)** for **COLECTIVO COFFEE ROASTERS, INC**, adjacent to the premises known as **5425 N. Clark St.**

Dear Alderman **Harry Osterman**:

The applicant referenced above has requested the use of the public right-of-way for a **park bench(s)**. An ordinance has been prepared by the Department of Business Affairs and Consumer Protection – Small Business Center - Public Way Use Unit for presentation to the City Council. Because this request was made for properties located in your ward, as approved by you as per the attached, I respectfully request that you introduce the attached ordinance at the next City Council meeting.

If you have any questions regarding this ordinance, please contact Anthony Bertuca at (312) 744-5506.

Department of Business Affairs and Consumer Protection