



City of Chicago



O2017-3745

Office of the City Clerk

Document Tracking Sheet

Meeting Date:	5/18/2017
Sponsor(s):	Reilly (42)
Type:	Ordinance
Title:	Grant(s) of privilege in public way for Lululemon Athletica - sign
Committee(s) Assignment:	Committee on Transportation and Public Way

ORDINANCE
Lululemon Athletica
Acct. No. 316133 - 4
Permit No. 1125769

Be It Ordained by the City Council of the City of Chicago:

SECTION 1. Permission and authority are hereby given and granted to Lululemon Athletica, upon the terms and subject to the conditions of this ordinance to maintain and use three (3) sign(s) projecting over the public right-of-way attached to its premises known as 930 N. Rush St..

Said sign structure(s) measures as follows; along N. Rush Street:

One (1) at eight (8) feet in length, two (2) feet in height and thirteen (13) feet above grade level.

Said sign structure(s) measures as follows; along E. Walton Street:

One (1) at three (3) feet in length, three (3) feet in height and twenty (20) feet above grade level.

Said sign structure(s) measures as follows; along E. Walton Street:

One (1) at one point five (1.5) feet in length, one point five (1.5) feet in height and nine (9) feet above grade level.

The location of said privilege shall be as shown on prints kept on file with the Department of Business Affairs and Consumer Protection and the Office of the City Clerk.

Said privilege shall be constructed in accordance with plans and specifications approved by the Department of Transportation (Division of Project Development) and Zoning Department - Signs.

This grant of privilege in the public way shall be subject to the provisions of Section 10-28-015 and all other required provisions of the Municipal Code of Chicago.

The grantee shall pay to the City of Chicago as compensation for the privilege #1125769 herein granted the sum of one hundred seventy-five (\$175.00) per annum in advance.

A 25% penalty will be added for payments received after due date.

The permit holder agrees to hold the City of Chicago harmless for any damage, relocation or replacement costs associated with damage, relocation or removal of private property caused by the City performing work in the public way.

Authority herein given and granted for a period of five (5) years from and after Date of Passage.

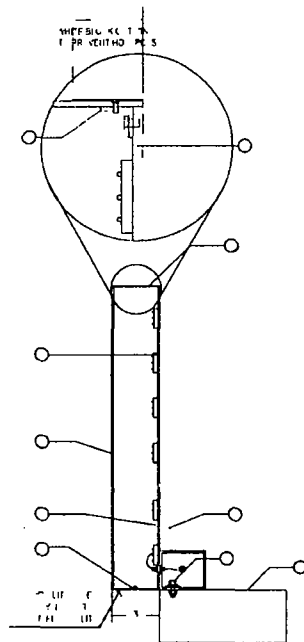
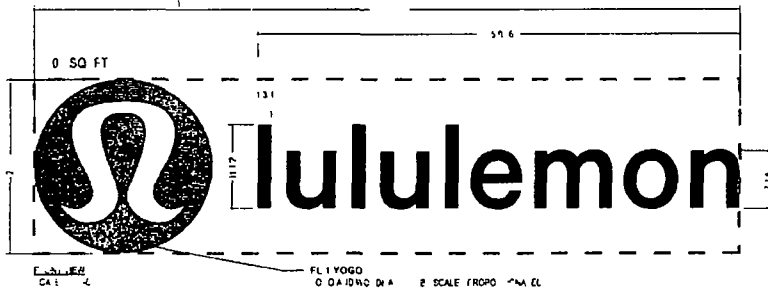
Alderman _____

Brendan Reilly 42nd Ward

WL 2 SIDE LIT WORDMARK LETTERS (Qty 1)

SQUARE FOOTAGE 15.93 (YOGO) / WORDMARK

W L S F 3 R F



SPECIFICATIONS

- 1. 2. 11. 12. 13. 14. 15. 16. 17. 18. 19. 20. 21. 22. 23. 24. 25. 26. 27. 28. 29. 30. 31. 32. 33. 34. 35. 36. 37. 38. 39. 40. 41. 42. 43. 44. 45. 46. 47. 48. 49. 50. 51. 52. 53. 54. 55. 56. 57. 58. 59. 60. 61. 62. 63. 64. 65. 66. 67. 68. 69. 70. 71. 72. 73. 74. 75. 76. 77. 78. 79. 80. 81. 82. 83. 84. 85. 86. 87. 88. 89. 90. 91. 92. 93. 94. 95. 96. 97. 98. 99. 100.

COLOR FINISHES

- White
- Black
- White
- Black



SCALE 1/8" = 1"

| | | | | | | | |
|---|-----------------------------------|--------------|--------------|--------------|--|---|-----------|
| JONES SIGN
You Via on Account shed
GREEN BAY 174 LADE PHIA
SAND EGG LAVERDAD
8 m | -B 214841 R4
5
51
-
m | [Empty Cell] | [Empty Cell] | [Empty Cell] | | lululemon
39 Hart R St Steel
Chicago IL 60611 | 41 |
| | | | | | | CD EP 004 | |



Department of Business Affairs and Consumer Protection
Small Business Center - Public Way Use Unit
City Hall - 121 N. LaSalle Street, Room 800 • Chicago, IL 60602
312-74-GOBIZ / 312-744-6249 • (312) 744-1944 (TTY)
<http://www.cityofchicago.org/bacp>

04/19/2017

Alderman Brendan Reilly
Ward # 42
City of Chicago
City Hall, Room 300
121 North LaSalle Street
Chicago, Illinois 60602

Re: An ordinance to use and maintain a portion of the public right-of-way for **three (3) sign(s)** for **Lululemon Athletica**, adjacent to the premises known as **930 N. Rush St.**.

Dear Alderman **Brendan Reilly**:

The applicant referenced above has requested the use of the public right-of-way for a **sign(s)**. An ordinance has been prepared by the Department of Business Affairs and Consumer Protection – Small Business Center - Public Way Use Unit for presentation to the City Council. Because this request was made for properties located in your ward, as approved by you as per the attached, I respectfully request that you introduce the attached ordinance at the next City Council meeting.

If you have any questions regarding this ordinance, please contact Anthony Bertuca at (312) 744-5506.

Department of Business Affairs and Consumer Protection