



# City of Chicago



O2021-1076

Office of the City Clerk

## Document Tracking Sheet

<b>Meeting Date:</b>	3/24/2021
<b>Sponsor(s):</b>	Reilly (42)
<b>Type:</b>	Ordinance
<b>Title:</b>	Grant(s) of privilege in public way for RPM Italian
<b>Committee(s) Assignment:</b>	Committee on Transportation and Public Way

ORDINANCE  
RPM ITALIAN  
Acct. No. 366625 - 1  
Permit No. 1147766

*Be It Ordained by the City Council of the City of Chicago:*

SECTION 1. Permission and authority are hereby given and granted to RPM ITALIAN, upon the terms and subject to the conditions of this ordinance to maintain and use, as now constructed, one (1) Revolving door(s) on the public right-of-way adjacent to its premises known as 52 W. Illinois St..

Said Revolving door(s) at Illinois Street measure(s):

One (1) at one (1) foot in length, and six point one (6.1) feet in width for a total of six point one (6.1) square feet.

The location of said privilege shall be as shown on prints kept on file with the Department of Business Affairs and Consumer Protection and the Office of the City Clerk.

Said privilege shall be constructed in accordance with plans and specifications approved by the Department of Planning and Development and Department of Transportation (Division of Project Development).

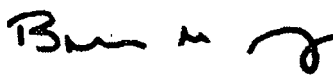
This grant of privilege in the public way shall be subject to the provisions of Section 10-28-015 and all other required provisions of the Municipal Code of Chicago.

The grantee shall pay to the City of Chicago as compensation for the privilege #1147766 herein granted the sum of four hundred (\$400.00) per annum in advance.

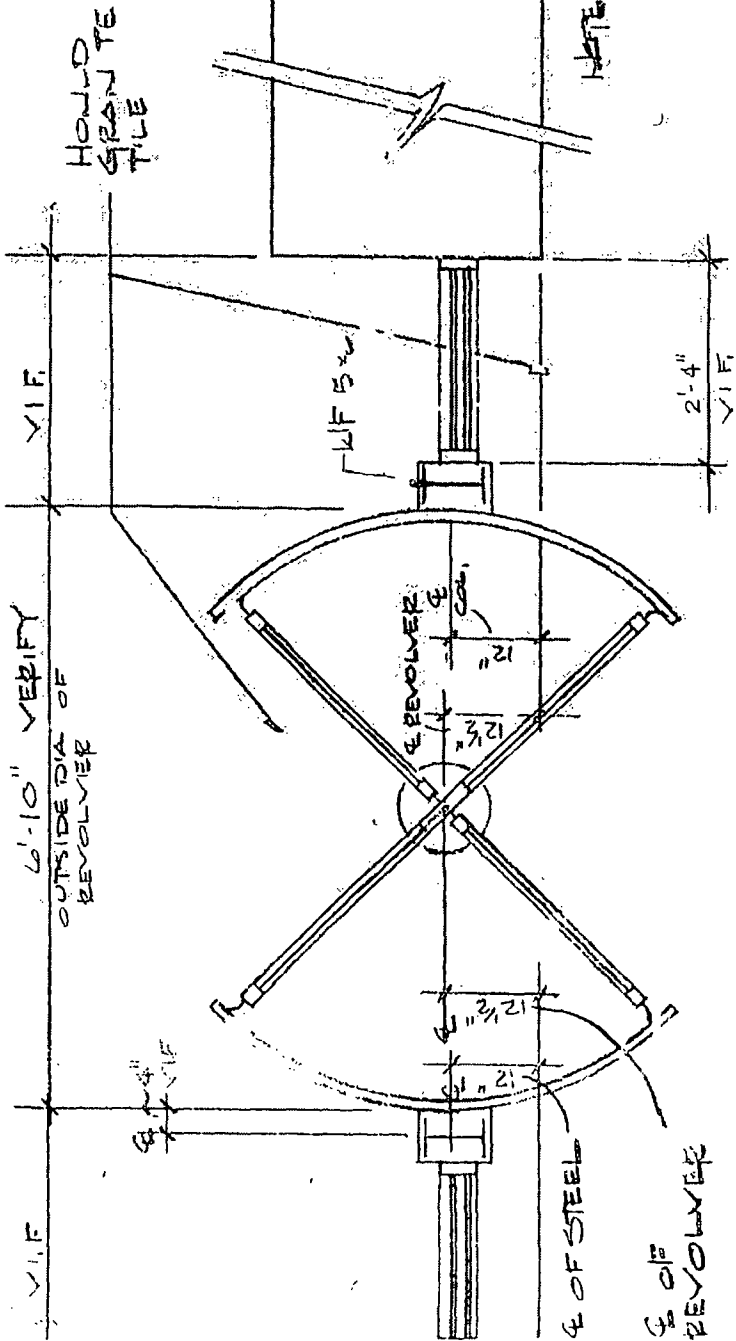
A 25% penalty will be added for payments received after due date.

The permit holder agrees to hold the City of Chicago harmless for any damage, relocation or replacement costs associated with damage, relocation or removal of private property caused by the City performing work in the public way.

Authority herein given and granted for a period of five (5) years from and after 02/07/2021.

Alderman 

Brendan Reilly 42nd Ward



NOTE: DIM'S FOR STEEL COL. SHOWN TO 4'-0" HEIGHT ABOVE HORIZONTAL MEMBER. VERTICAL STEEL TO REMAIN SAME LOCATION. REF. STRUCT. DETAILS FOR INFO.

DO NOT SCALE DRAWING  
 DIMENSIONS ARE  
 GIVEN IN

*Handwritten signature or initials*

ENLARGED PLAN OF REVOLVER  
 1/2" = 1'-0"

PLEASE SEE DRAWING AS NEC



Department of Business Affairs and Consumer Protection  
Small Business Center - Public Way Use Unit  
City Hall - 121 N. LaSalle Street, Room 800 • Chicago, IL 60602  
312-74-GOBIZ / 312-744-6249 • (312) 744-1944 (TTY)  
<http://www.cityofchicago.org/bacp>

**03/24/2021**

**Alderman Brendan Reilly**  
Ward # 42  
City of Chicago  
City Hall, Room 300  
121 North LaSalle Street  
Chicago, Illinois 60602

Re: An ordinance to use and maintain a portion of the public right-of-way for **one (1) revolving door(s)** for **RPM ITALIAN**, adjacent to the premises known as **52 W. Illinois St.**

Dear Alderman **Brendan Reilly**:

The applicant referenced above has requested the use of the public right-of-way for a **revolving door(s)**. An ordinance has been prepared by the Department of Business Affairs and Consumer Protection – Small Business Center - Public Way Use Unit for presentation to the City Council. Because this request was made for properties located in your ward, as approved by you as per the attached, I respectfully request that you introduce the attached ordinance at the next City Council meeting.

If you have any questions regarding this ordinance, please contact Anthony Bertuca at (312) 744-5506.

**Department of Business Affairs and Consumer Protection**