



# City of Chicago



O2016-3247

Office of the City Clerk

## Document Tracking Sheet

<b>Meeting Date:</b>	4/13/2016
<b>Sponsor(s):</b>	Reilly (42)
<b>Type:</b>	Ordinance
<b>Title:</b>	Grant(s) of privilege in public way for Zeller 401 Property LLC - light fixture
<b>Committee(s) Assignment:</b>	Committee on Transportation and Public Way

ORDINANCE  
ZELLER 401 PROPERTY, LLC.  
Acct. No. 333725 - 1  
Permit No. 1122686

*Be It Ordained by the City Council of the City of Chicago:*

SECTION 1. Permission and authority are hereby given and granted to ZELLER 401 PROPERTY, LLC., upon the terms and subject to the conditions of this ordinance to construct, install, maintain and use one (1) Light Fixture(s) projecting over the public right-of-way adjacent to its premises known as 401 N. Michigan Ave..

Said Light Fixture(s) at N. Michigan Avenue measure(s):

One (1) at eighty-four (84) feet in length, point six seven (.67) feet in width and nine hundred ninety-nine thousand nine hundred ninety-nine (0) feet above grade level.

The location of said privilege shall be as shown on prints kept on file with the Department of Business Affairs and Consumer Protection and the Office of the City Clerk.

Said privilege shall be constructed in accordance with plans and specifications approved by the Department of Transportation (Division of Project Development).

This grant of privilege in the public way shall be subject to the provisions of Section 10-28-015 and all other required provisions of the Municipal Code of Chicago.

The grantee shall pay to the City of Chicago as compensation for the privilege #1122686 herein granted the sum of seventy-five (\$75.00) per annum in advance.

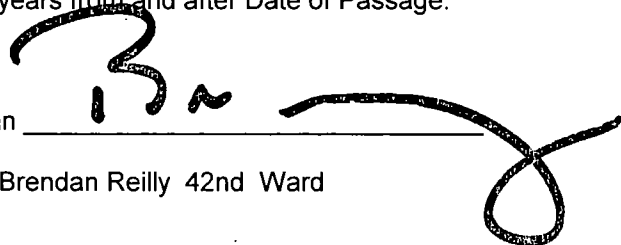
A 25% penalty will be added for payments received after due date.

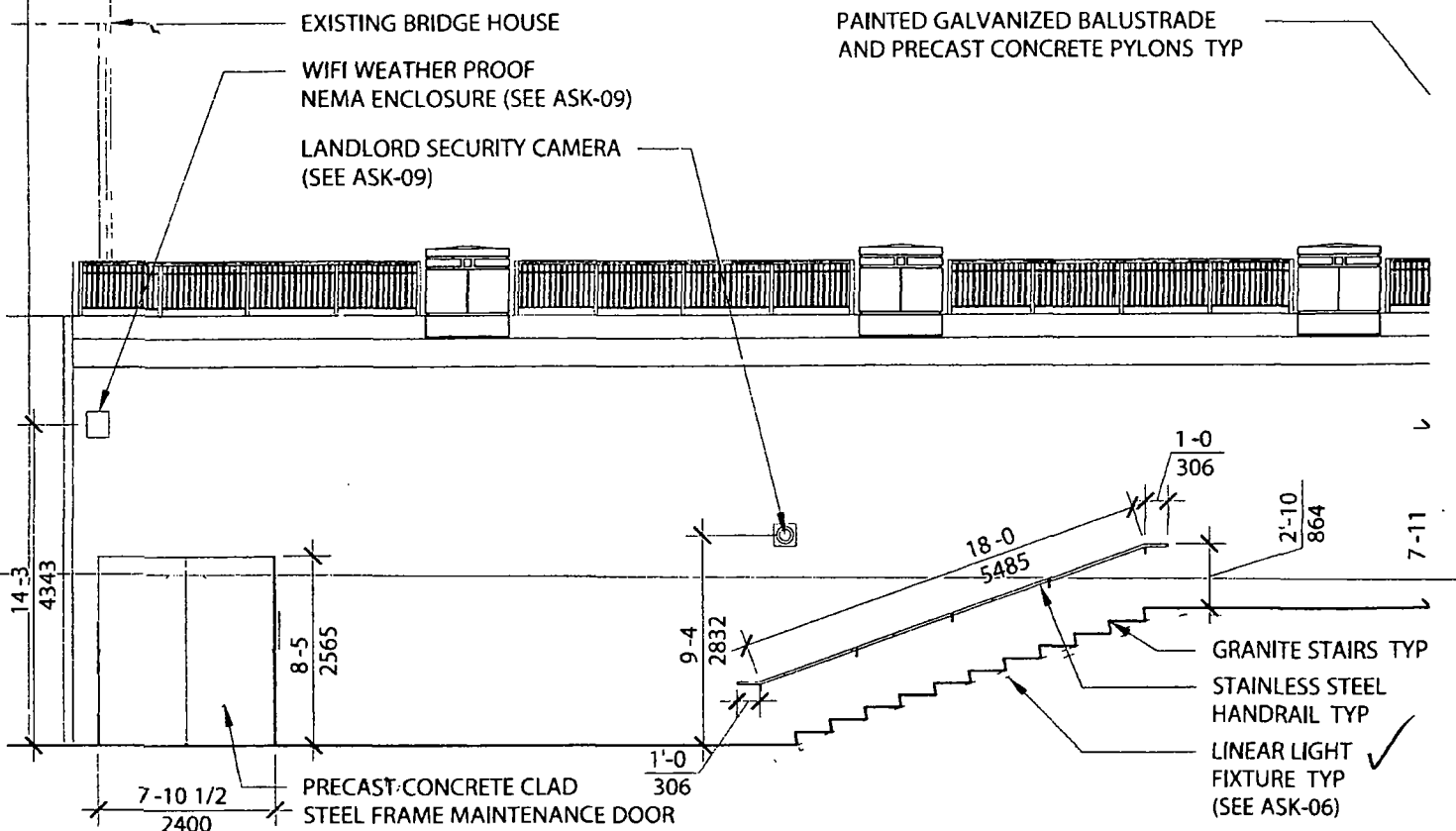
The permit holder agrees to hold the City of Chicago harmless for any damage, relocation or replacement costs associated with damage, relocation or removal of private property caused by the City performing work in the public way.

Authority herein given and granted for a period of five (5) years from and after Date of Passage.

Alderman \_\_\_\_\_

Brendan Reilly 42nd Ward

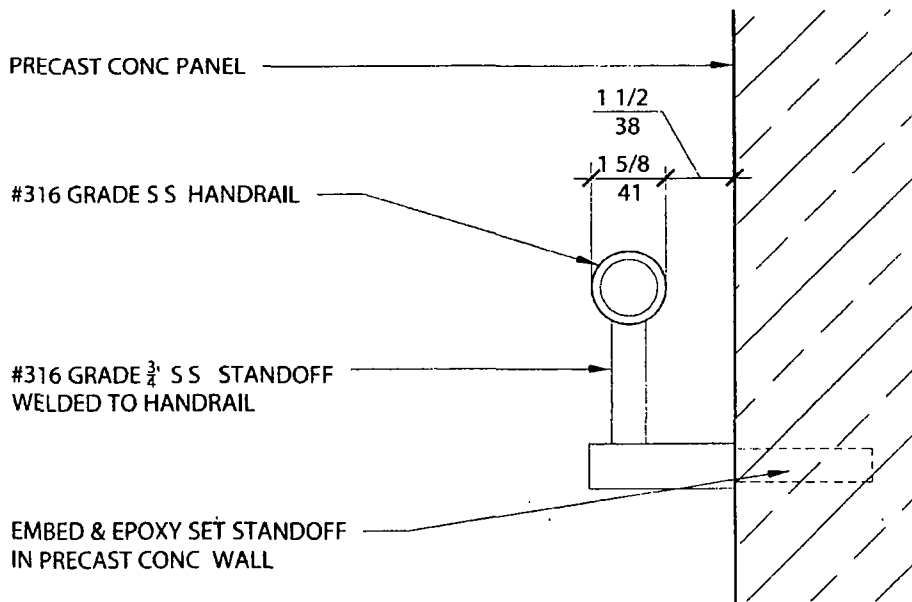
A handwritten signature in black ink, appearing to read 'B. Reilly', is written over a horizontal line. The signature is stylized and extends to the right of the line.



1

### WEST WALL ELEVATION

1/8" = 1'-0"



13

### HANDRAIL DETAIL @ PRECAST CONCRETE WALL TYP

3 = 1'-0"